

LOUNGE

Pick it up, sit it on your lap, pass it to a friend. The Bouncepad Lounge is designed for relaxed interaction and free movement.

- Reinforced 2m charging cable makes this enclosure secure yet movable

- Stability comes from a unique conical attachment and two discreet feet that allows it to 'loungue' on your surface

- Easy to move share and pass-around

- Perfect for use with the rear camera exposure extra

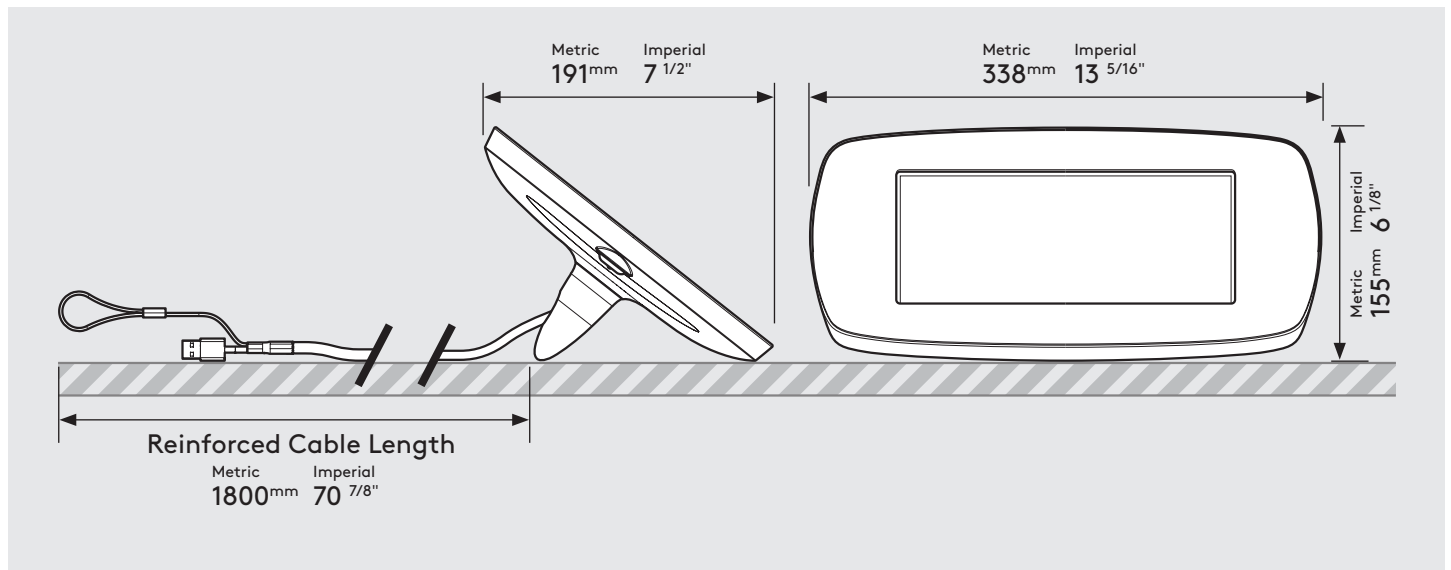
- Simple and fuss-free installation



PRODUCT DATA SHEET - LOUNGE (MAXI CASE)

bouncepad[®]

Case:	Arm:	Mounting:	Packaged weight:	Colour:
Maxi	Lounge	Not Applicable	1.85kg	White Black



Parts in the Box

