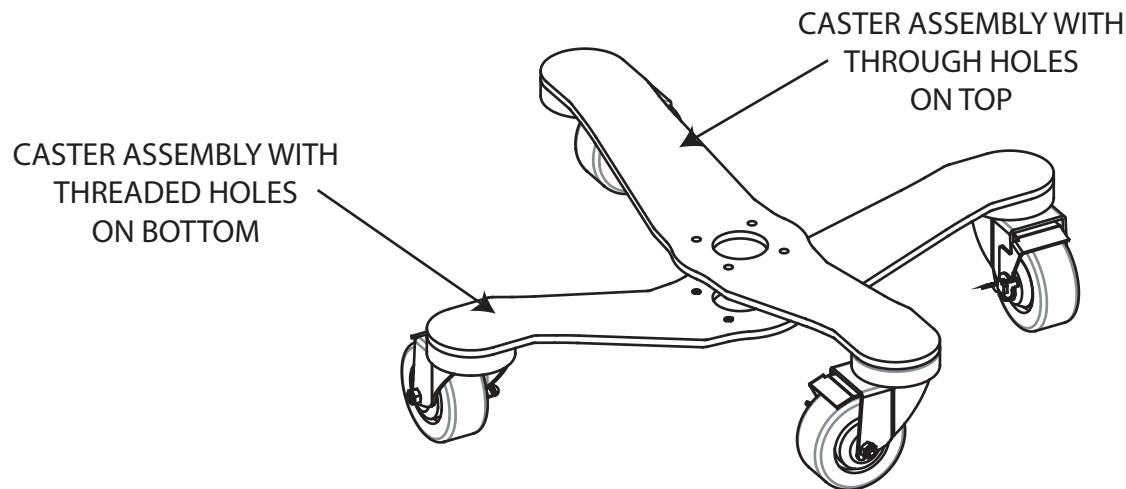
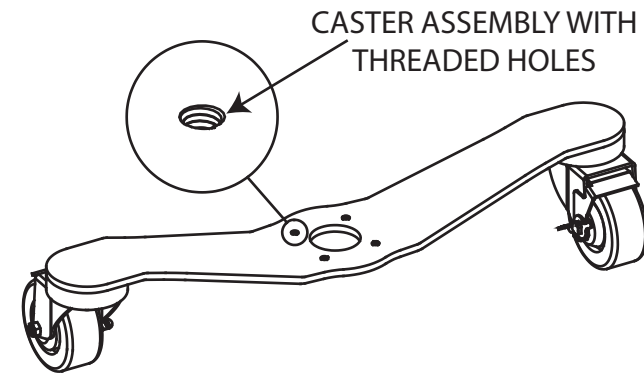
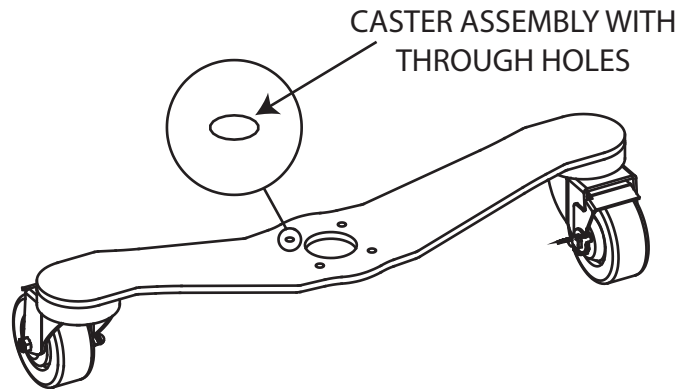
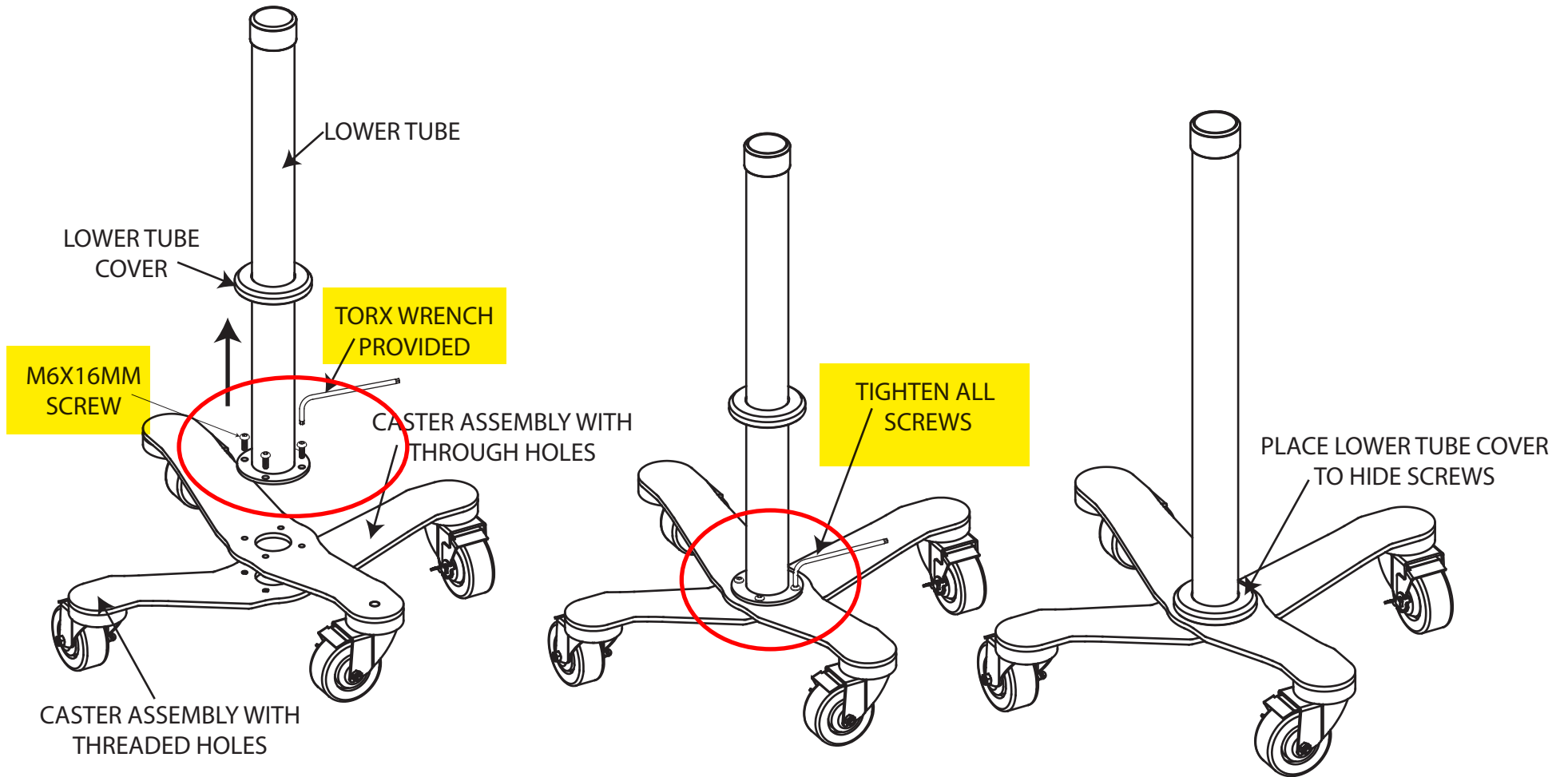


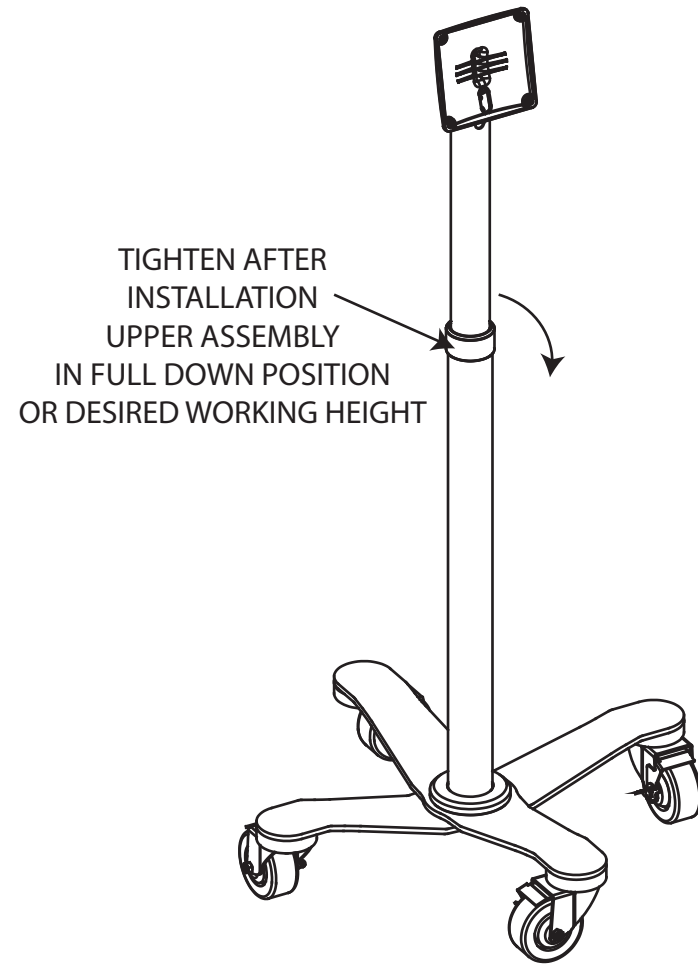
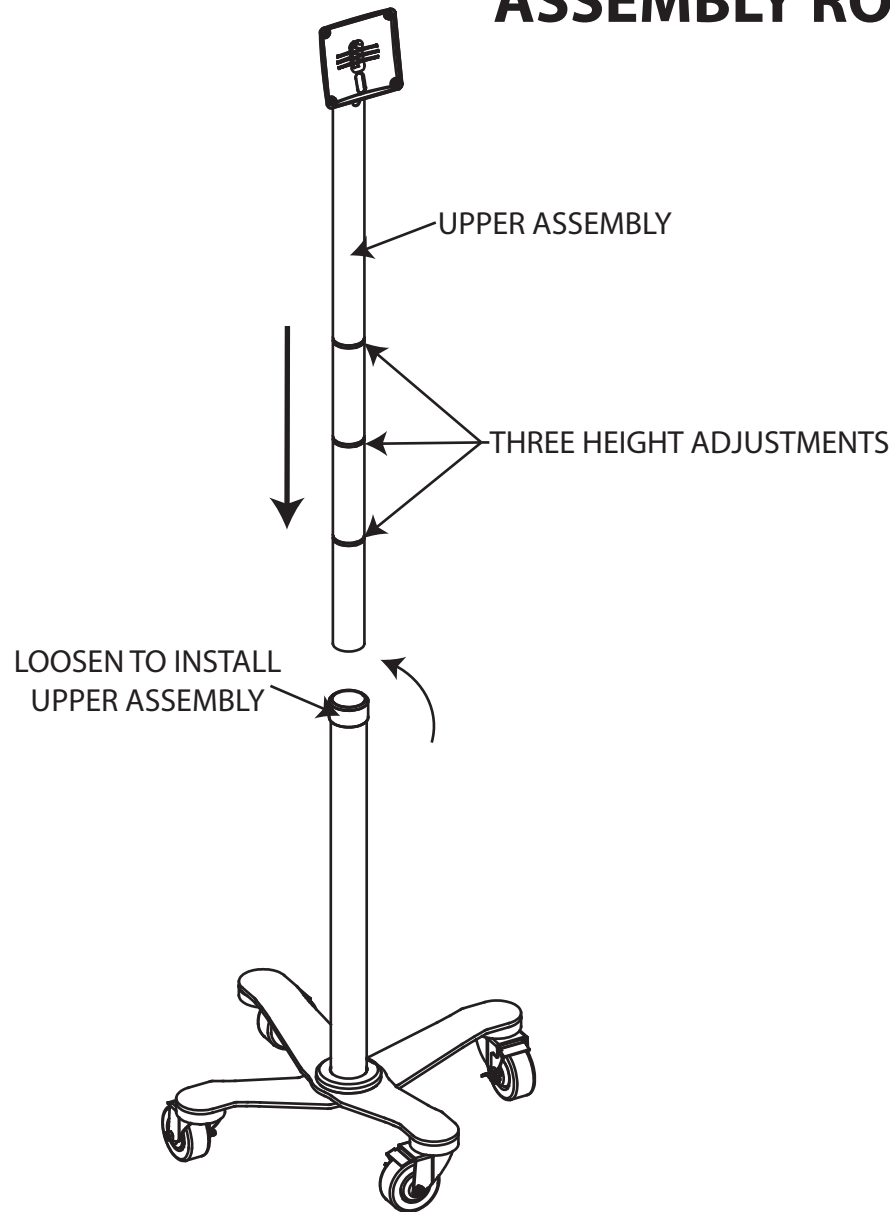
ASSEMBLY ROLLING RISE



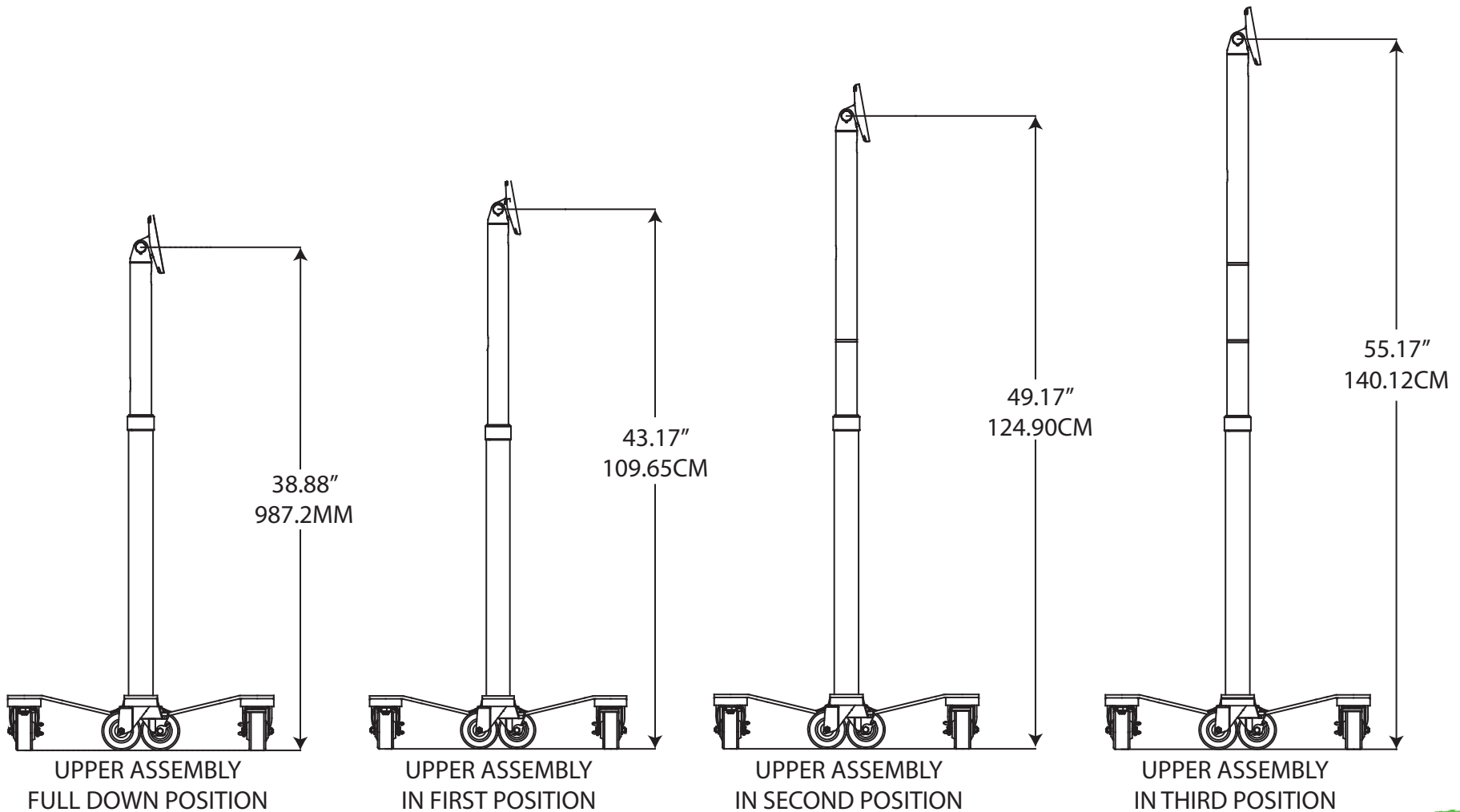
ASSEMBLY ROLLING RISE



ASSEMBLY ROLLING RISE



ROLLING RISE HEIGHT ADJUSTMENTS



For Further Assistance:

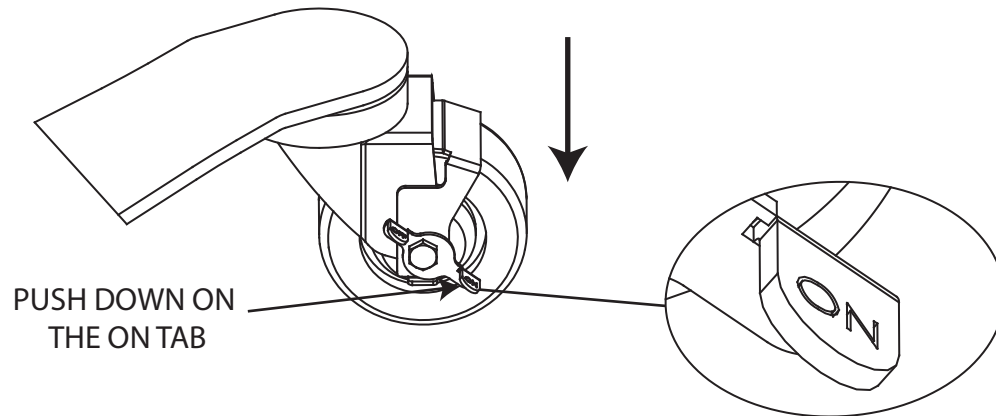
1.800.948.0344

sales@maclocks.com

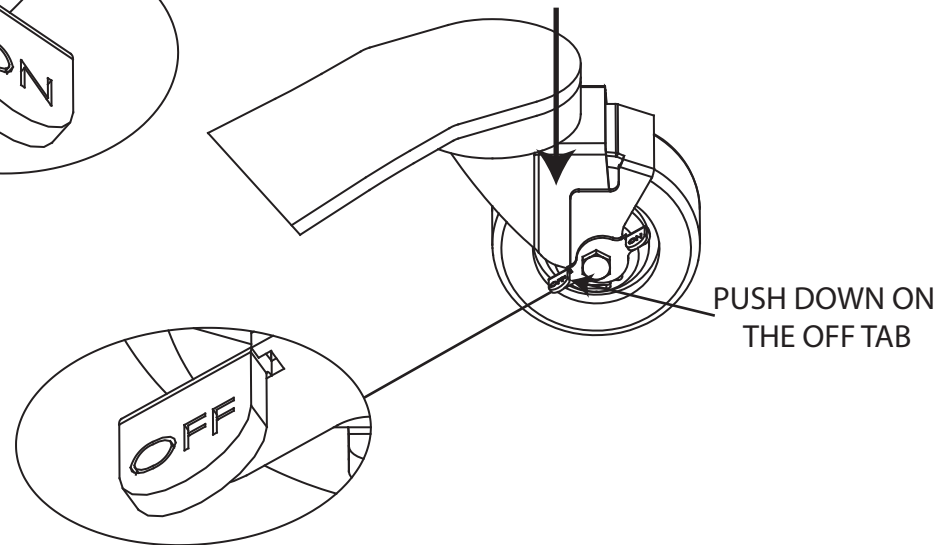


LOCKING AND UNLOCKING THE CASTERS

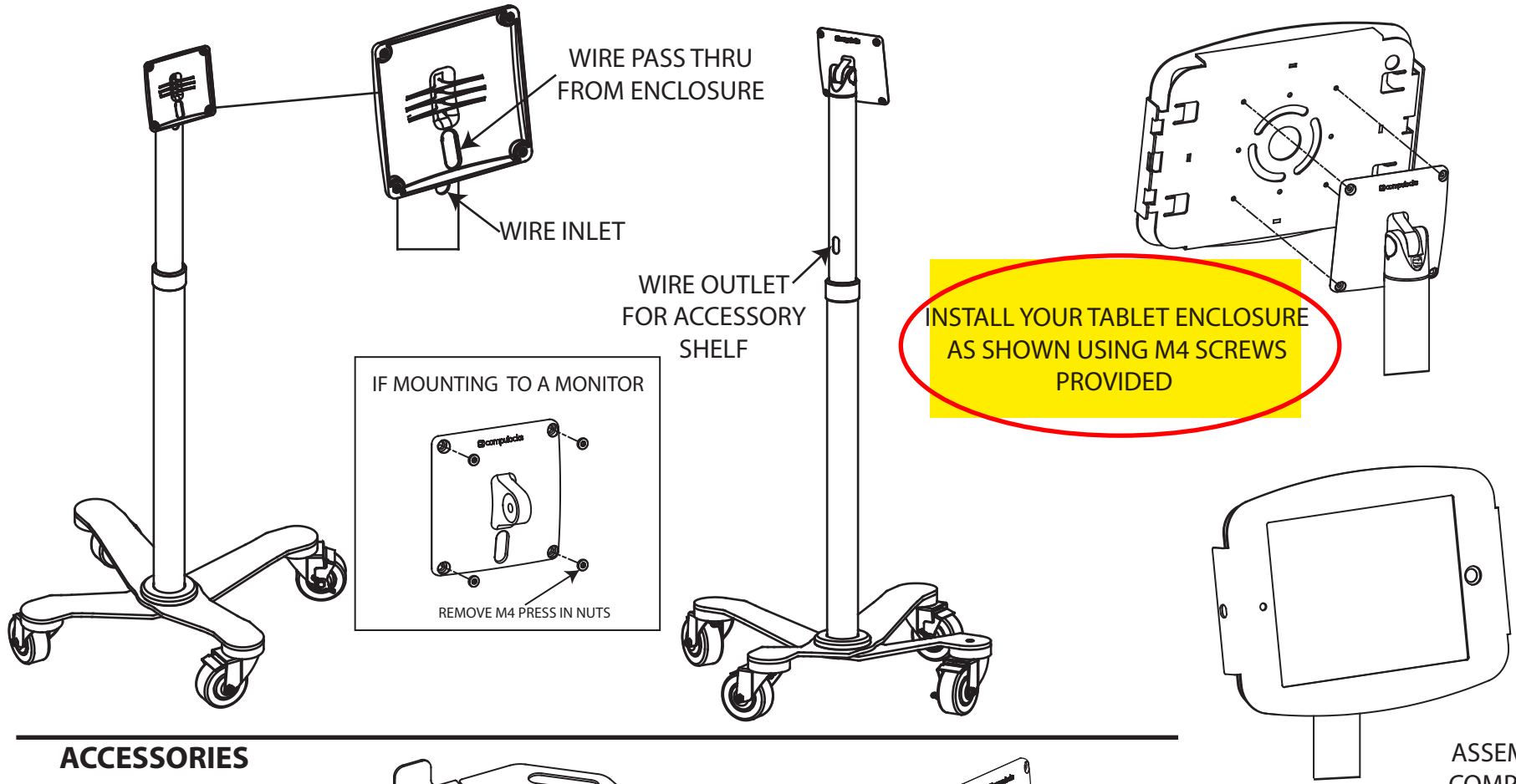
LOCKING THE CASTER



UNLOCKING THE CASTER

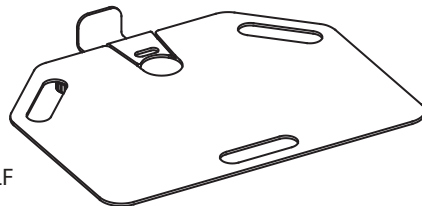


ENCLOSURE INSTALLATION

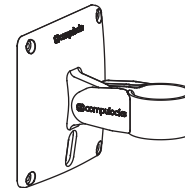


ACCESSORIES

ROLLING RISE POWER SHELF



SINGLE ADD ON BRACKET



For Further Assistance:

1.800.948.0344

sales@maclocks.com

