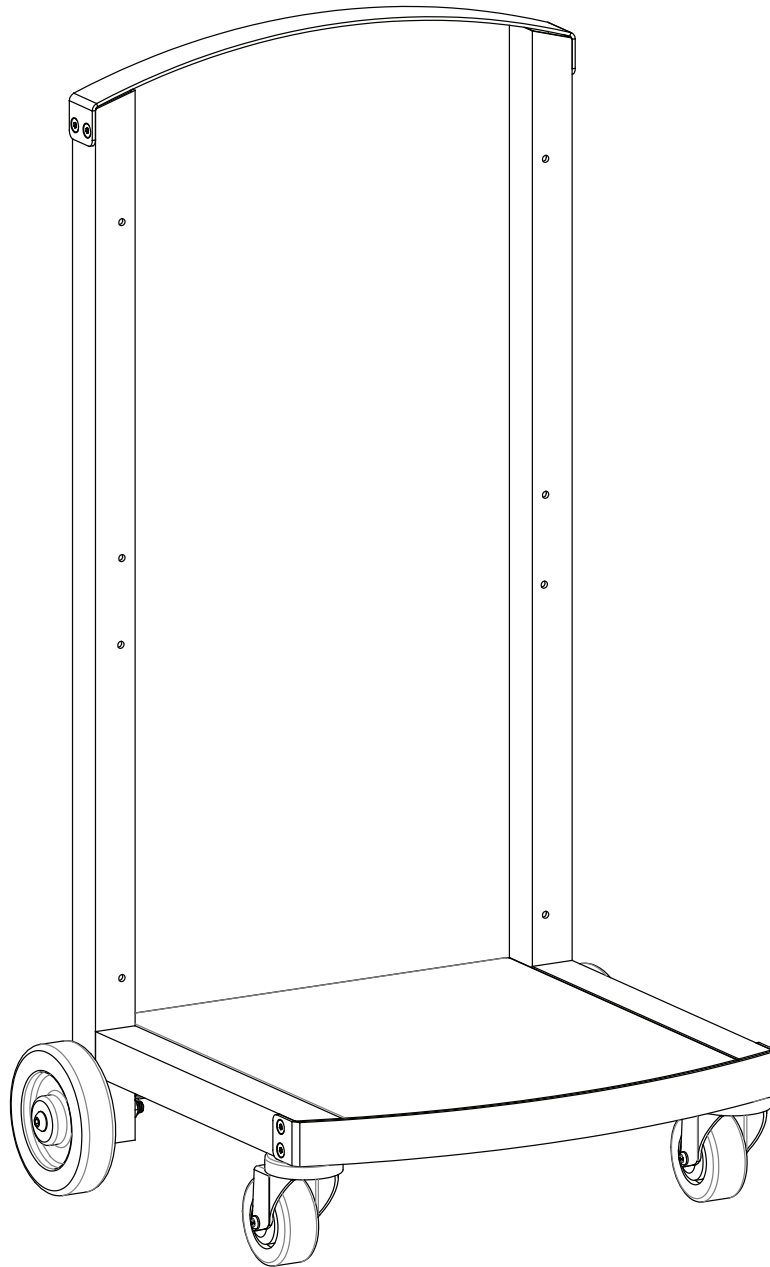


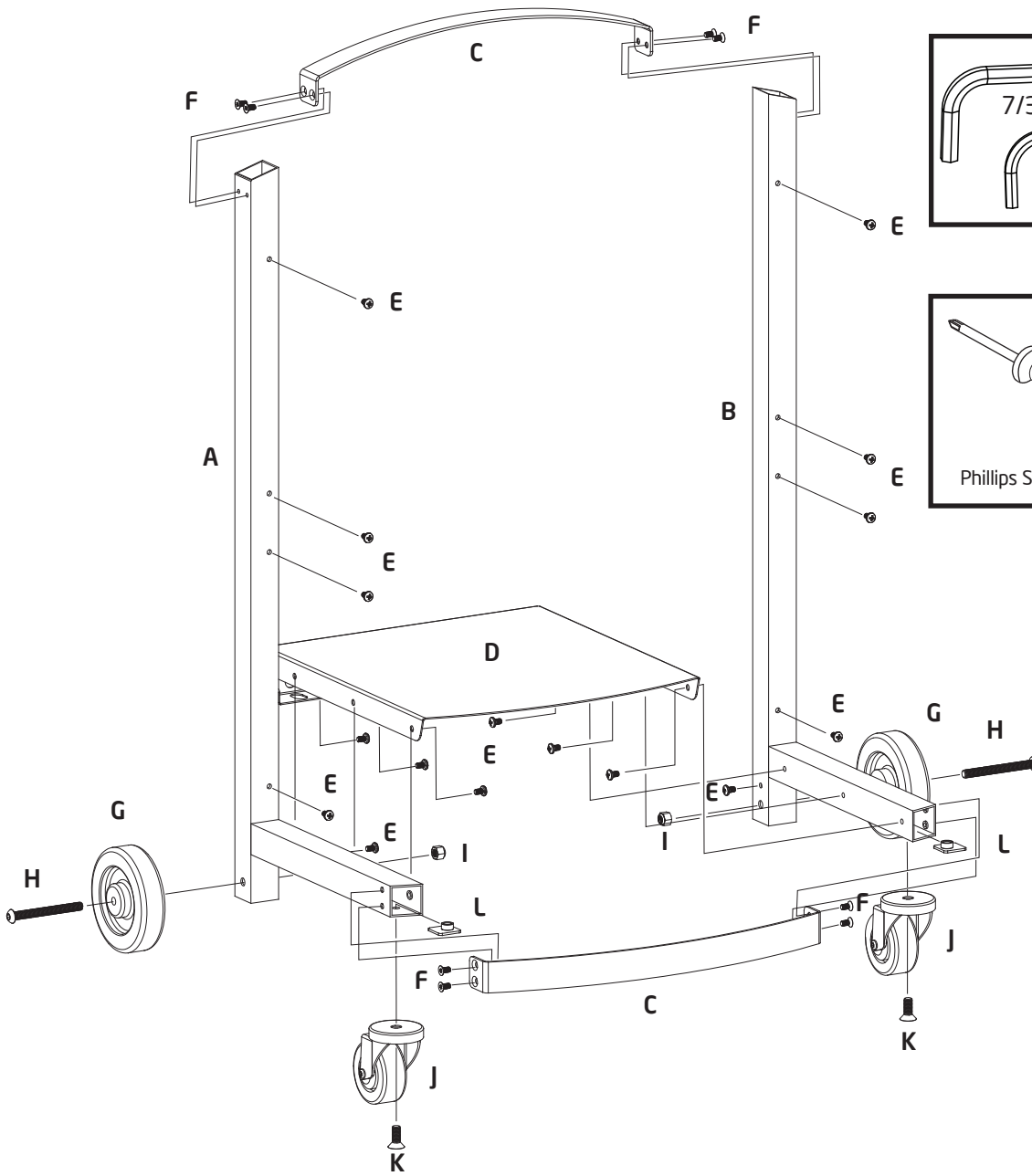


# CARTIPAD Assembly Instructions

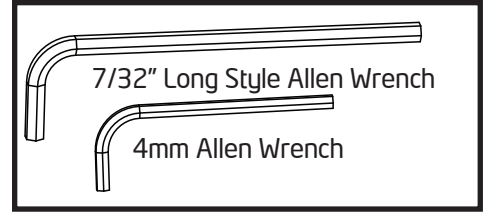


**Maclocks · Pflugerville · TX · 78660-82 · USA**  
**Contact: [sales@maclocks.com](mailto:sales@maclocks.com)**

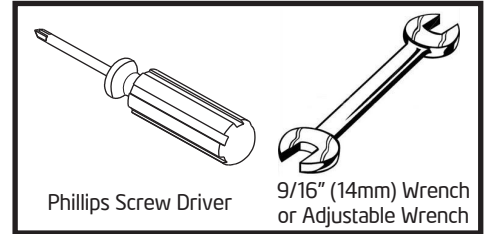
# PARTS LIST



## TOOLS INCLUDED



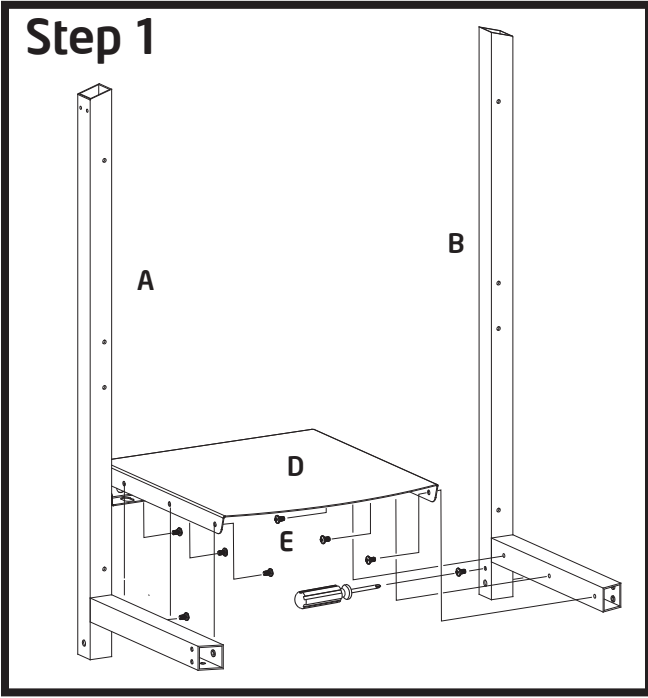
## TOOLS NEEDED



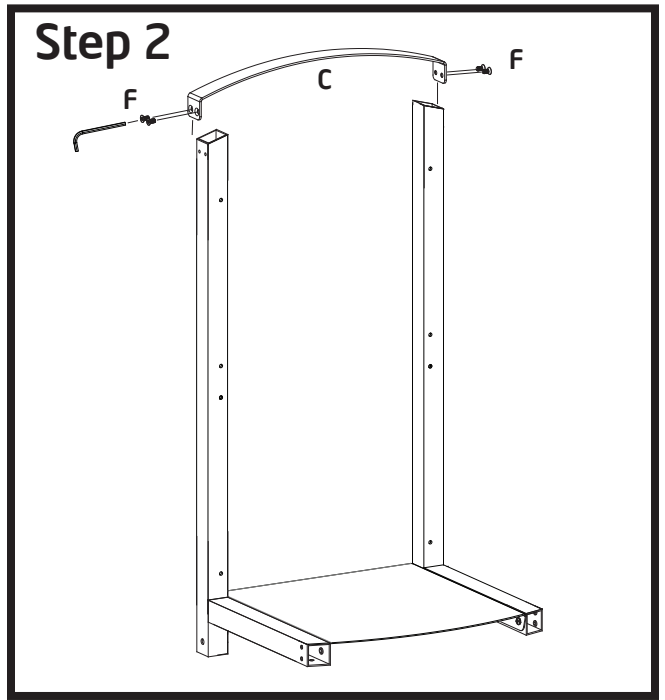
ITEM	DESCRIPTION	QTY
A	Right Hand Side Support	1
B	Left Hand Side Support	1
C	Bumper / Handle	2
D	Lower Tray	1
E	M6 X 10mm Pan Head Phillips Screw	16
F	M6 X 12mm Socket Head Flat Screw	8
G	5" Dia. Wheel Assembly	2
H	3/8"-16 X 3-3/4" Socket Button Head Screw	2
I	3/8"-16 Nylock Hex Nut	2
J	Caster Assembly - Locking	2
K	3/8"-16 X 1" Socket Head Flat Screw	2
L	3/8"-16 Threaded Nut Plate	2

# CART ASSEMBLY

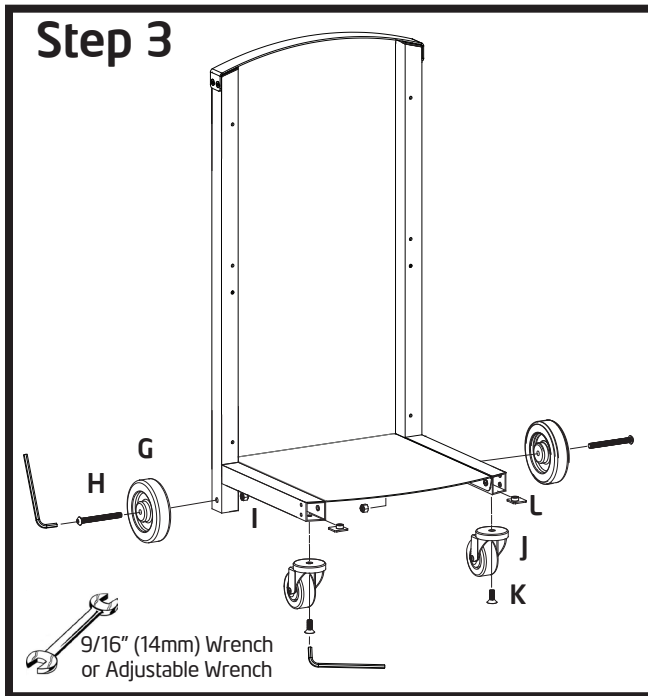
## Step 1



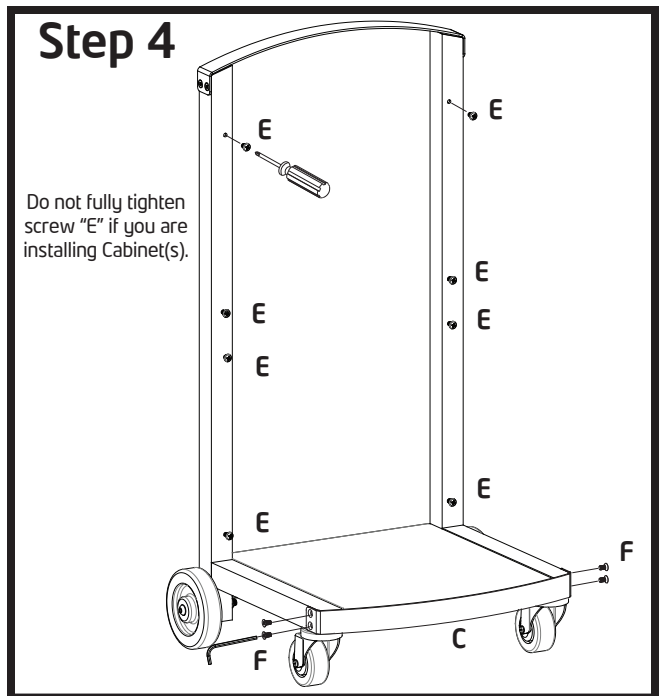
## Step 2



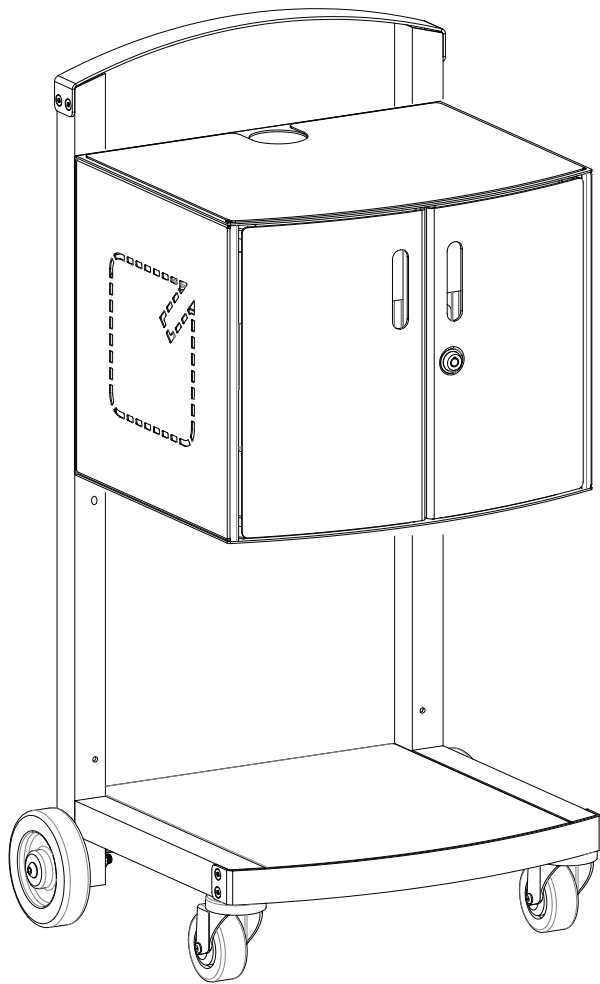
## Step 3



## Step 4

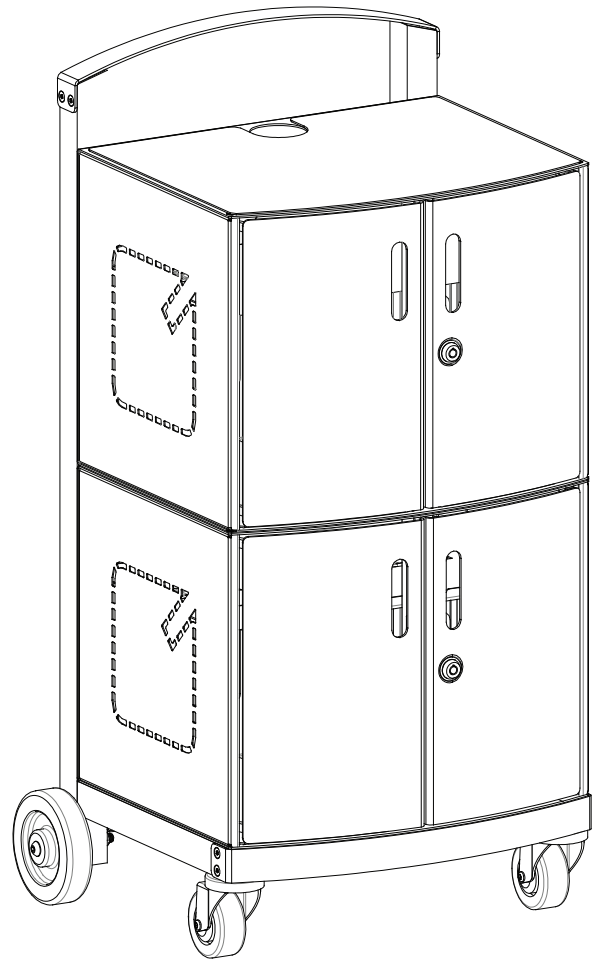


# UNO



**For UNO assembly  
configuration see  
Page 5**

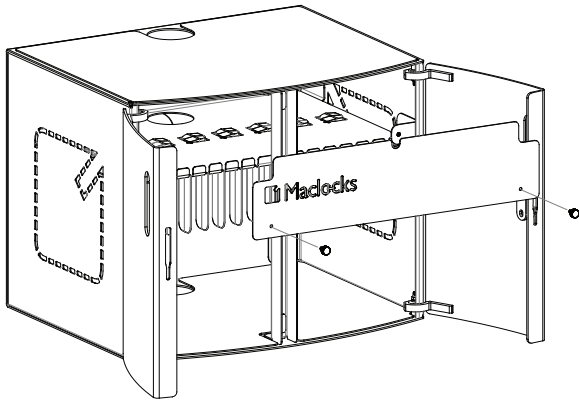
# DUO



**For DUO assembly  
configuration see  
Pages 6 & 7**

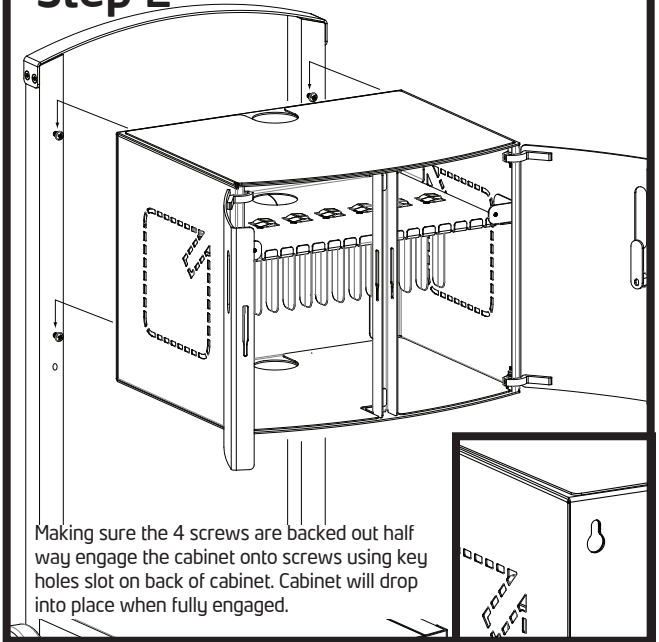
# INSTALLING UPPER CABINET TO CART - UNO

## Step 1



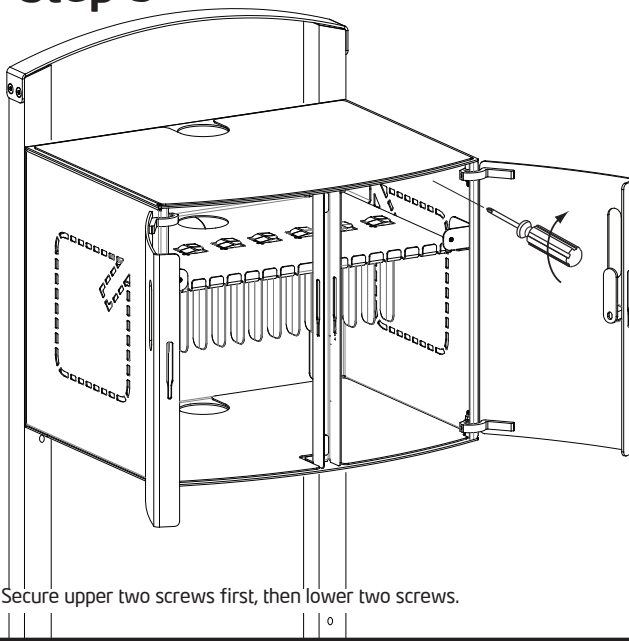
Remove the two Thumb Nuts from the Power Supply Face Panel as shown. This will allow access the upper Key Holes in the Back Half of the upper part of the cabinet.

## Step 2



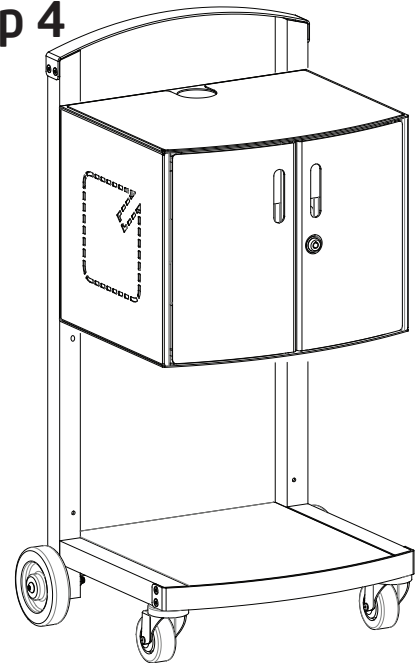
Making sure the 4 screws are backed out half way engage the cabinet onto screws using key holes slot on back of cabinet. Cabinet will drop into place when fully engaged.

## Step 3

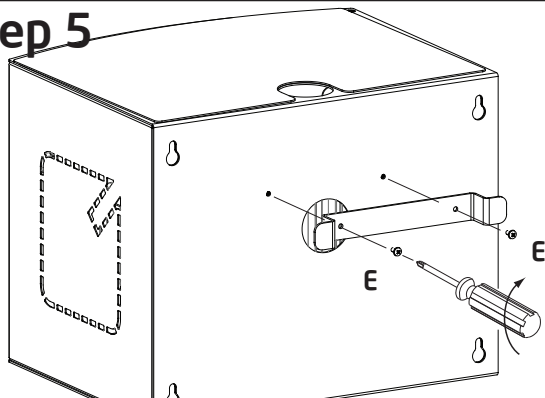


Secure upper two screws first, then lower two screws.

## Step 4



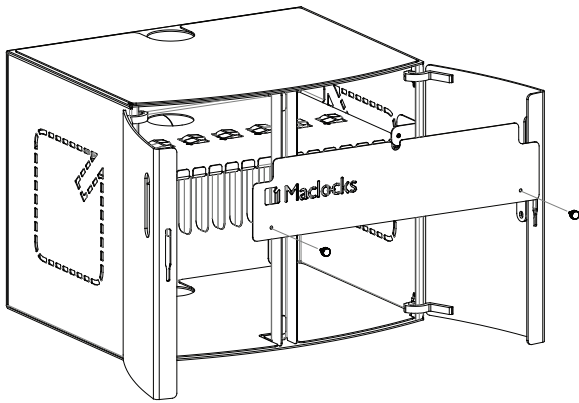
## Step 5



Install optional wire control bracket as shown.

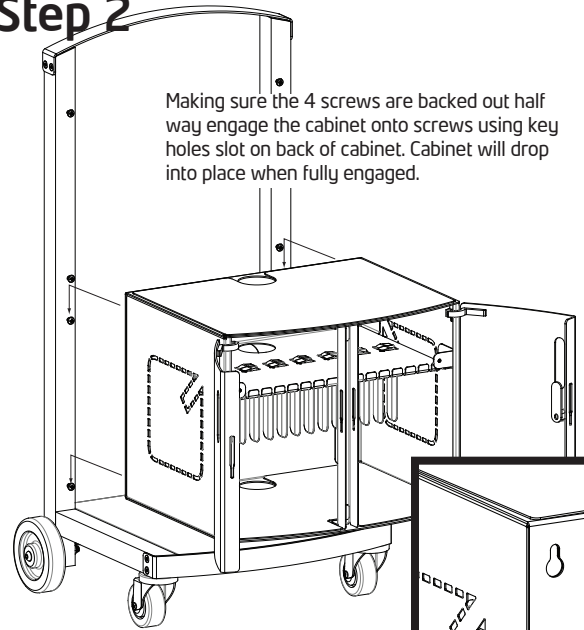
# INSTALLING LOWER CABINET TO CART - DUO

## Step 1

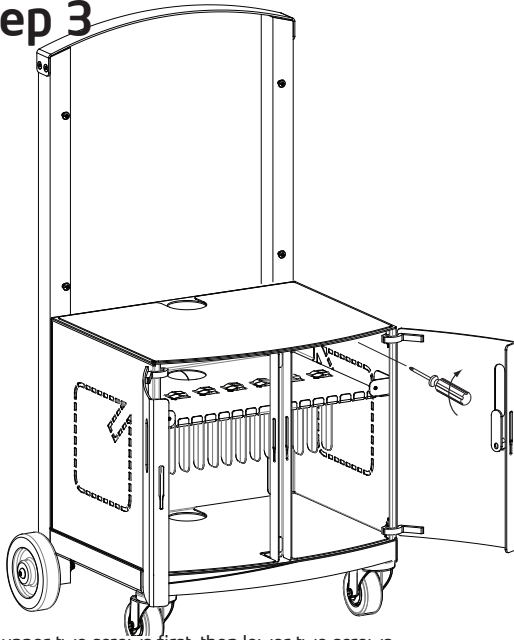


Remove the two Thumb Nuts from the Power Supply Face Panel as shown. This will allow access the upper Key Holes in the Back Half of the upper part of the cabinet.

## Step 2

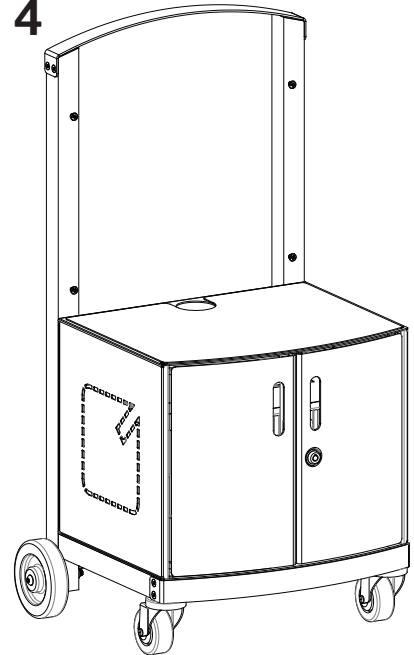


## Step 3

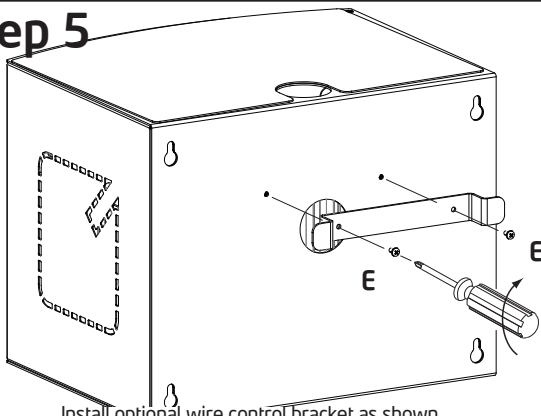


Secure upper two screws first, then lower two screws.

## Step 4



## Step 5

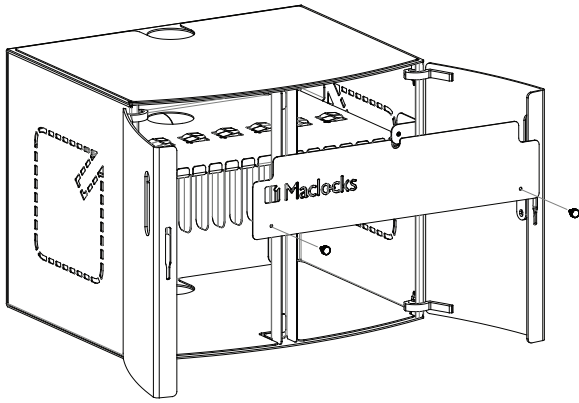


Install optional wire control bracket as shown.

Go To Step 6

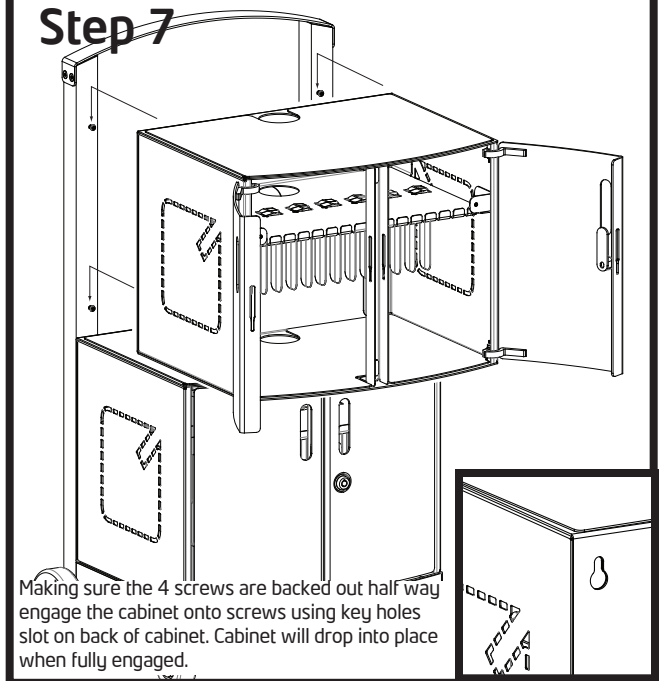
# (cont'd) INSTALLING UPPER CABINET TO CART - DUO

## Step 6



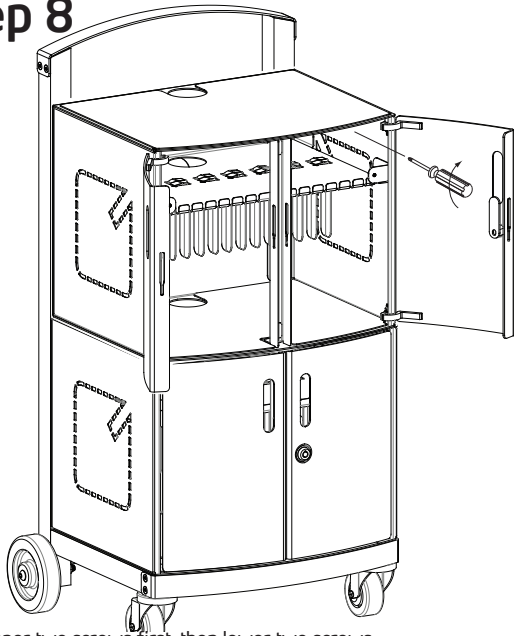
Remove the two Thumb Nuts from the Power Supply Face Panel as shown. This will allow access the upper Key Holes in the Back Half of the upper part of the cabinet.

## Step 7



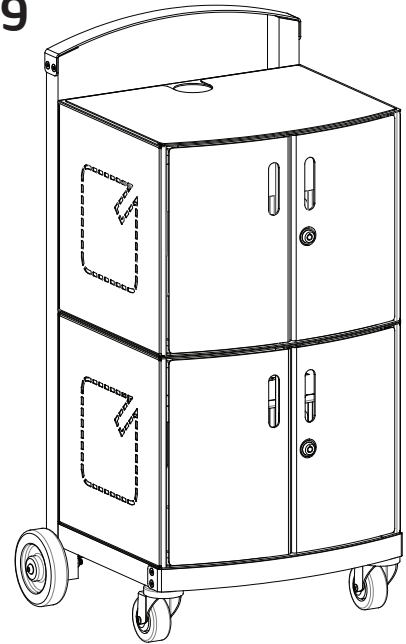
Making sure the 4 screws are backed out half way engage the cabinet onto screws using key holes slot on back of cabinet. Cabinet will drop into place when fully engaged.

## Step 8

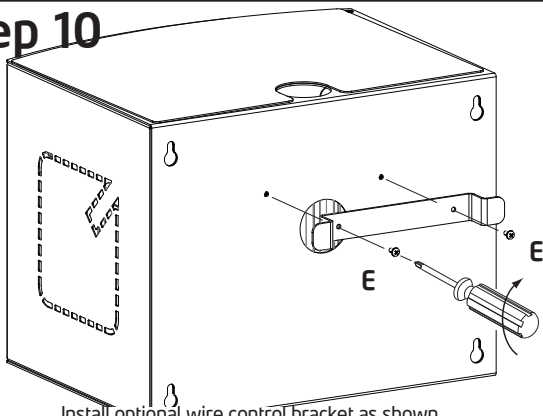


Secure upper two screws first, then lower two screws.

## Step 9



## Step 10



Install optional wire control bracket as shown.



**Maclocks · Pflugerville · TX · 78660-82 · USA**  
**Contact: [sales@maclocks.com](mailto:sales@maclocks.com)**