

AirMedia® Series 3 Receiver 200

The AirMedia® Series 3 Receiver 200 (AM-3200, AM-3200-WF, and AM-3200-WF-I) enables secure wireless collaboration in the modern digital workspace. Easy to deploy and manage, install the Receiver in conference rooms, huddle rooms, lounges, lobbies, or almost any space to establish a productive meeting environment.



In the Box

- 1 AirMedia Series 3 Receiver (AM-3200, 6511482; AM-3200-WF, 6511483; or AM-3200-WF-I, 6511484)

Additional Items

- 4 Anchor, Wall, Plastic (2057414)
- 4 Screw, Metal, 0.98 in. (25 mm) (2057419)
- 1 Connector, 2-Pin (2057409)
- 2 Connector, 5-Pin (2057410)
- 2 Antenna with cable, SMA, Female (2057413)*

*This item is only included with the AM-3200-WF and AM-3200-WF-I models.



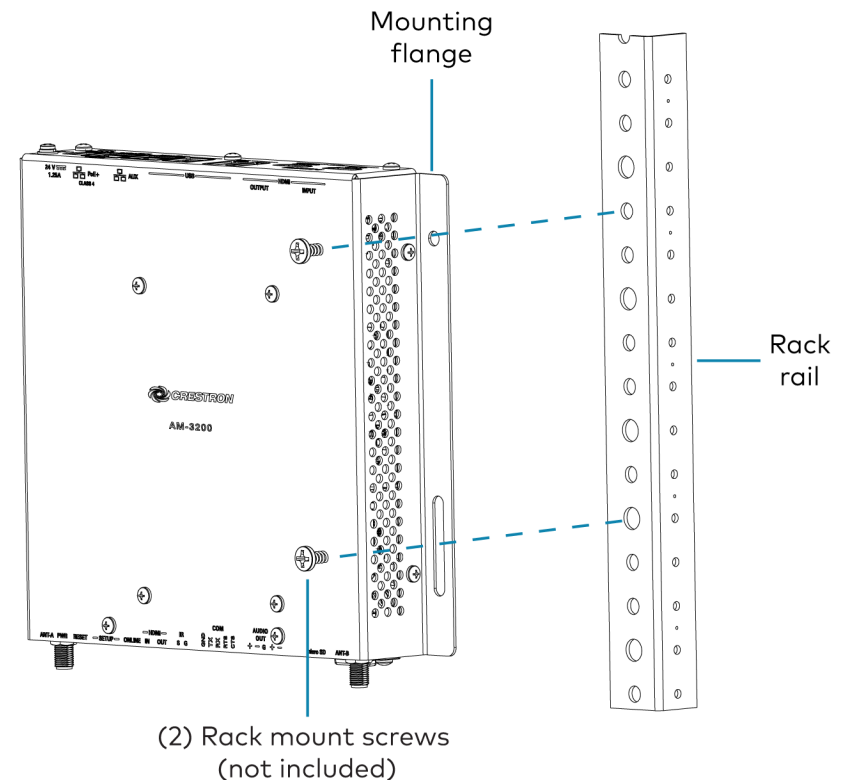
Install the Device

The device can be mounted onto a rack rail or flat surface.

Mounting onto a Rack Rail

The device can be mounted onto a front or rear rack rail. To mount the device:

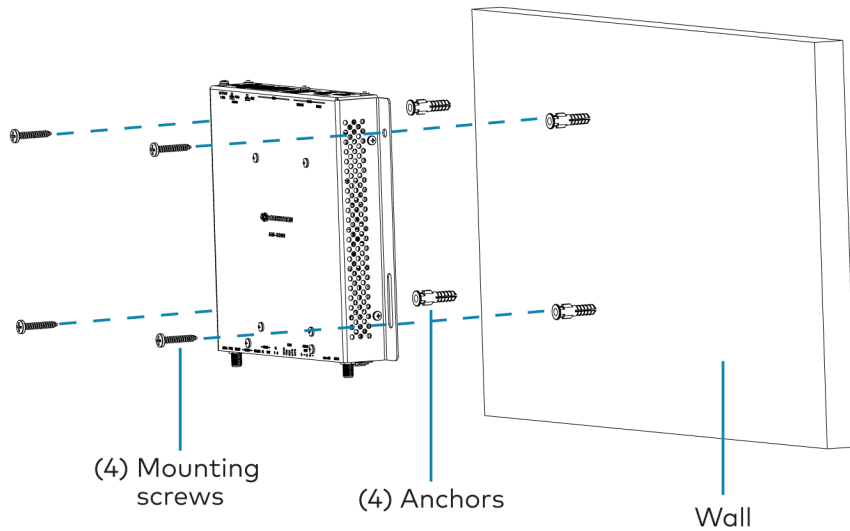
1. Position either the left or right mounting flange so that the holes align with the holes in the rack rail.
2. Secure the device to the rack rail using two rack mount screws (not included).



AirMedia® Series 3 Receiver 200

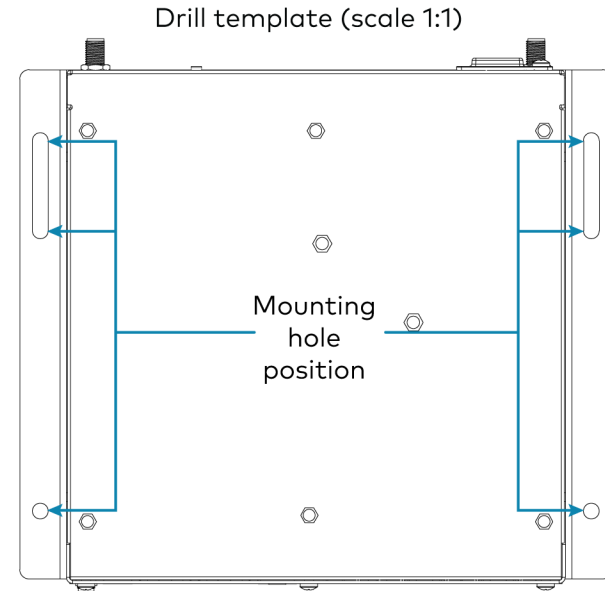
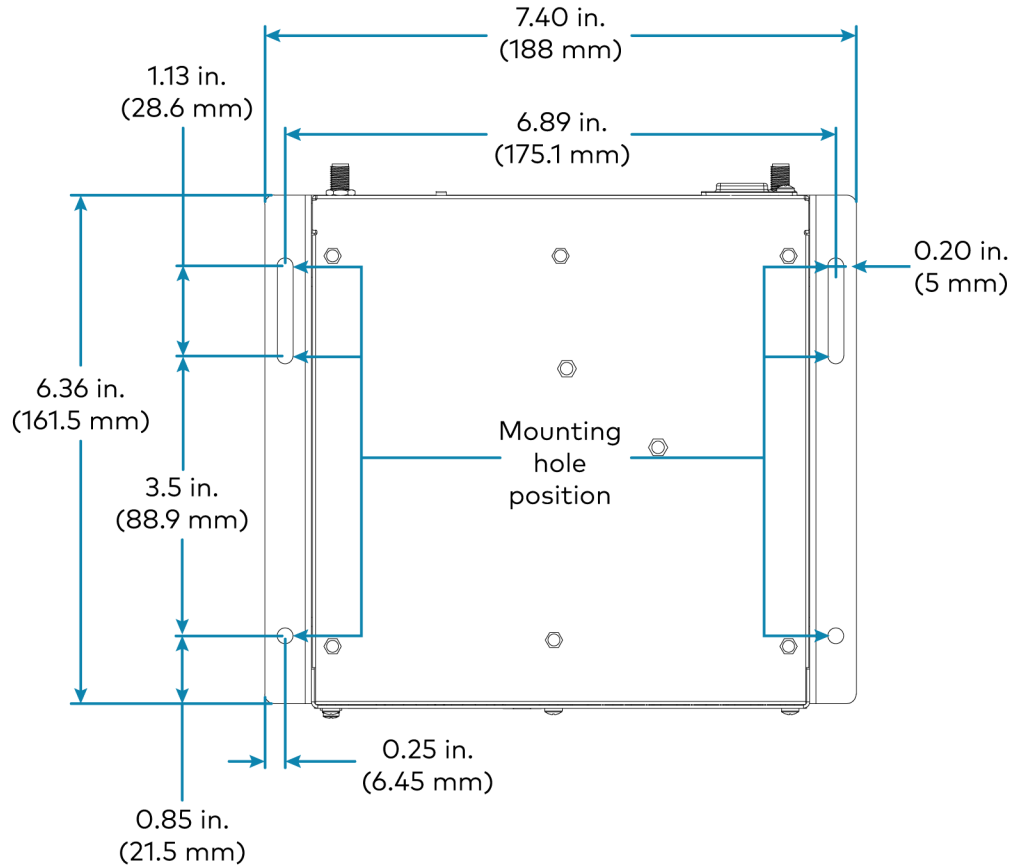
Mounting onto a Flat Surface

Using the included mounting screws and anchors, mount the device onto a flat surface such as a wall or the underside of a table. Use the mounting template on the following page to determine the mounting hole locations.



AirMedia® Series 3 Receiver 200

AM-3200, AM-3200-WF and AM-3200-WF-I Mounting Template



AirMedia® Series 3 Receiver 200



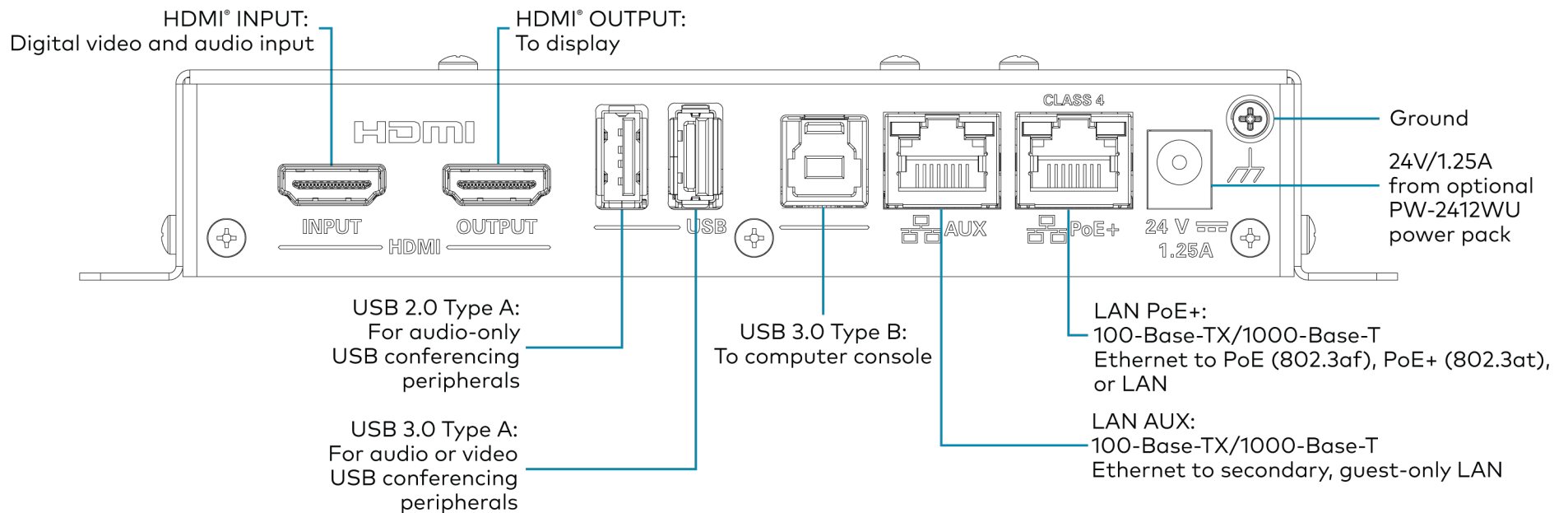
Connect the Device

Make connections to the device as shown in the following diagrams.

NOTES:

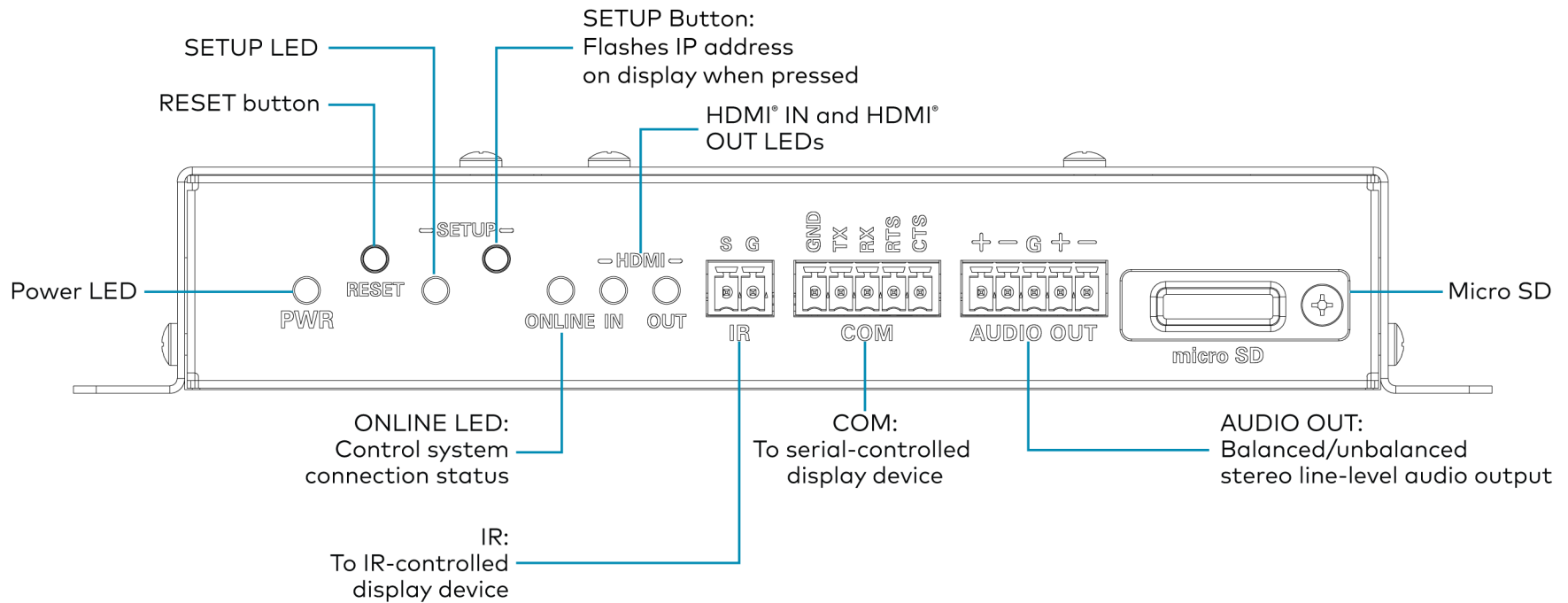
- Only use the LAN AUX port to connect to a secondary, guest-only LAN. Do not use the LAN AUX port to connect to the main LAN.
- The device receives power from a Power over Ethernet (PoE, IEEE 802.3af) or Power over Ethernet+ (PoE+, IEEE 802.3at) connection. It can also receive power from the [PW-2412WU](#) power pack (sold separately).
- To use USB conferencing peripherals, the device must be powered by PoE+ or the PW-2412WU power pack. Do not simultaneously provide PoE or PoE+ and local power.
- PoE-type networks connected to the LAN PoE+ port are for intrabuilding use only. Do not connect this device to lines that run outside of the building.

Top Panel Connections - AM-3200, AM-3200-WF, AM-3200-WF-I



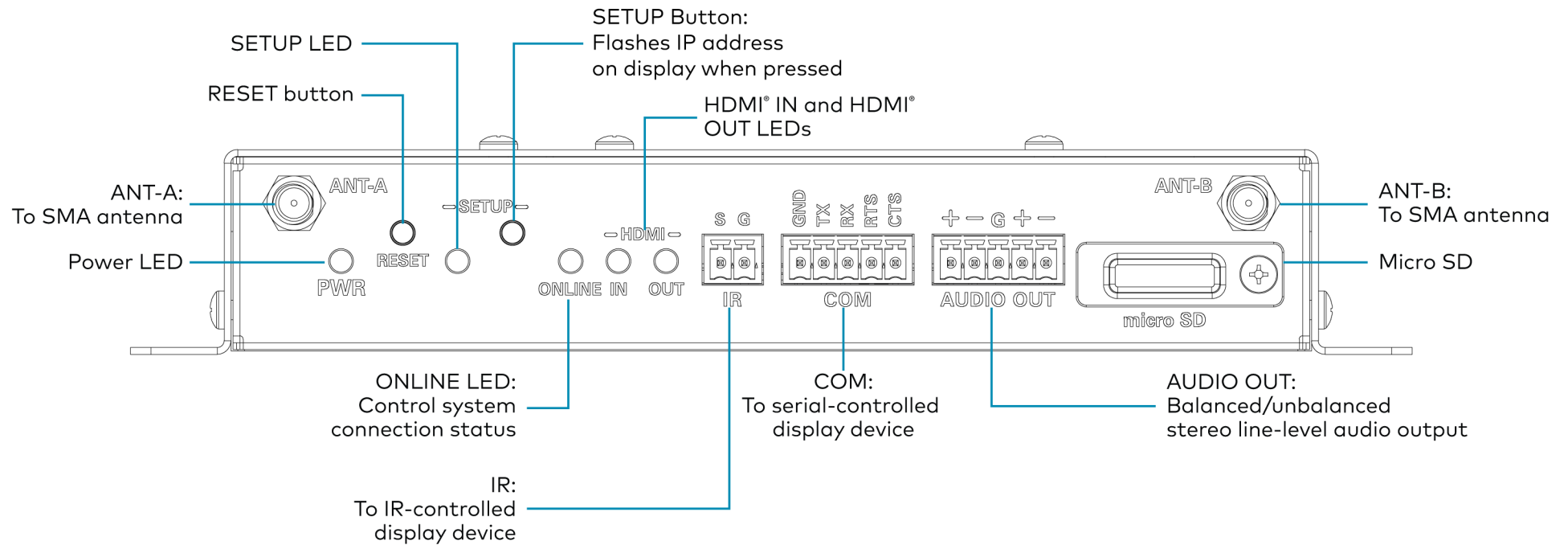
AirMedia® Series 3 Receiver 200

Bottom Panel Connections - AM-3200



AirMedia® Series 3 Receiver 200

Bottom Panel Connections - AM-3200-WF, AM-3200-WF-I



AirMedia® Series 3 Receiver 200



Observe the LED Indicators

Refer to the following table for information about the LED indicators on the device.

LED Indicator	Color	Meaning
Power	Green	Power is being applied to the device. The device is operational.
	Amber	Power is being applied to the device. The device is booting.
Setup	White	The setup button was pressed.
Online	Green	The device is connected to a Crestron Control System.
HDMI In	Green	A video signal is detected at the HDMI input.
HDMI Out	Green	A video signal is being transmitted to the HDMI output.
LAN PoE+ and LAN AUX	Green	An Ethernet link is established.
	Flashing amber	Data activity is occurring on the Ethernet link.



Configure the Device

Configure the device using the web interface. To access the web interface, open a web browser and then go to the IP address of the device. For more details on device configuration, refer to the [AirMedia Series 3 Receivers Product Manual](#) (Doc 9020).



Visit the Product Page

Scan the QR code to visit the product page.

AM-3200



www.crestron.com/model/6511482

AM-3200-WF



www.crestron.com/model/6511483

AM-3200-WF-I



www.crestron.com/model/6511484

AirMedia® Series 3 Receiver 200



Important Safety Instructions

Important Safety Instructions

WARNING: When using this product, basic precautions should always be followed, including the following:

1. Read these instructions carefully.
2. All cautions and warnings should be followed.
3. The equipment should only be used at maximum 40°C (104°F) ambient temperature.
4. Opening the equipment could result in electrical shock and should only be done by qualified service personnel.
5. Protect equipment from humidity.
6. Do not insert foreign objects or liquids into the openings, this could cause a fire or electrical shock.
7. Do not use chemical detergents to clean the device, use a soft dry cloth.
8. To avoid damage from electrical peaks unplug the device when it is not in use.
9. If one of the following situations arise, equipment has to be checked by qualified service personnel:
 - Liquid has penetrated into the equipment.
 - Equipment has been exposed to humidity.
 - Equipment has been dropped and/or is damaged.
 - Equipment has obvious sign of breakage.
 - Equipment does not work well or you can not get it working according to user's manual.
10. Do not expose the equipment to water or place object filled with water on top of it.



Instructions importantes

Instructions de sécurité importantes

Les avertissements: concernant l'utilisation de ce produit doivent toujours être fondés sur les précautions fondamentales, notamment:

1. Lisez attentivement ces notes.
2. Tous les avertissements et avertissements doivent être respectés.
3. L'équipement ne peut être utilisé qu'à une température ambiante maximale de 40°C (104°F).
4. L'ouverture de l'appareil peut provoquer un choc électrique qui ne peut être assuré que par un personnel d'entretien qualifié.
5. Empêcher l'humidité du dispositif.
6. Il est interdit d'introduire des objets étrangers ou liquides dans l'ouverture, faute de quoi cela pourrait provoquer un incendie ou un choc électrique.
7. Ne pas utiliser d'appareil de nettoyage chimique et utiliser un tissu sec souple.
8. Pour éviter les dommages de crête électrique, retirez la fiche d'alimentation lorsque le dispositif n'est pas utilisé.
9. Dans l'un des cas énoncés ci-dessous, le matériel doit être vérifié par un service qualifié:
 - Dispositif d'infiltration de liquide.
 - L'équipement est exposé à l'humidité.
 - Matériel tombé et/ou endommagé.
 - L'équipement a été endommagé.
 - Le matériel ne fonctionne pas correctement ou ne peut pas être utilisé conformément au Manuel de l'utilisateur.
10. L'équipement ne doit pas être exposé à l'eau ni être placé sur des objets remplis d'eau.

AirMedia® Series 3 Receiver 200

Additional Information

Original Instructions

The U.S. English version of this document is the original instructions. All other languages are a translation of the original instructions.

Regulatory Model: M202011001

Crestron product development software is licensed to Crestron dealers and Crestron Service Providers (CSPs) under a limited nonexclusive, nontransferable Software Development Tools License Agreement. Crestron product operating system software is licensed to Crestron dealers, CSPs, and end-users under a separate End-User License Agreement. Both of these Agreements can be found on the Crestron website at www.crestron.com/legal/software_license_agreement.

The product warranty can be found at www.crestron.com/warranty.

The specific patents that cover Crestron products are listed at www.crestron.com/legal/patents.

Certain Crestron products contain open source software. For specific information, visit www.crestron.com/opensource.

Crestron, the Crestron logo, and AirMedia are either trademarks or registered trademarks of Crestron Electronics, Inc. in the United States and/or other countries. HDMI is either a trademark or registered trademark of HDMI Licensing LLC in the United States and/or other countries. Wi-Fi is either a trademark or registered trademark of Wi-Fi Alliance in the United States and/or other countries. Other trademarks, registered trademarks, and trade names may be used in this document to refer to either the entities claiming the marks and names or their products. Crestron disclaims any proprietary interest in the marks and names of others. Crestron is not responsible for errors in typography or photography.

©2022 Crestron Electronics, Inc.

Doc. 8986C

05/31/22