

Crestron Flex Tabletop Medium Room Video Conference System for Microsoft Teams® Rooms

The UC-M50-T and UC-M50-T-L Crestron Flex tabletop conferencing systems provide medium room video conference solutions for use with Microsoft Teams® Rooms software. They support single or dual video displays and feature a Crestron Flex tabletop conference device, UC bracket assembly, and collaboration camera.

Minimum Requirements:

- A video display (not included) connected to the UC Engine. A second display is optional.
- A Microsoft Teams or Skype® for Business account
- An environment running Microsoft Exchange Server® software (2013 SP1 or later for on-premises installation or Microsoft 365® software for Cloud) for scheduling and/or Skype for Business 2015 (on-premises installation or Microsoft 365 software for Cloud)



In the Box

Tabletop Conference Device

- 1 Tabletop Conference Device, Microsoft Teams video (6510716)
- 1 Cable, CAT5e, RJ-45 - RJ-45, 12 ft (3.7 m) (2033988)
- 1 Cable Retention Plate (2047908)
- 3 Tie Wrap (2047935)

UC Bracket Assembly

- 1 UC Bracket Assembly with UC Engine and HDMI® content ingest (UC-BRKT-200-S-T-ASSY, 6511478 or UC-BRKT-200-S-T-L-ASSY, 6512030)

- 2 Anchor, Drywall, Plastic, 3/8 in. x 1/2 in. (9.5 mm x 12.7 mm) (2052565)
- 2 EDID passthrough (2055728)*
- 1 Key, Anchor (4529654)
- 2 Screw, 8-AB x 1-1/2 in. (38.1 mm), Pan Head, Combo (2052567)
- 4 Tie Wrap (2047935)

Additional Items

- 1 Collaboration camera (6510482)
- 1 Camera wall mount kit (6510998)
- 1 Cable, CAT6a, RJ-45 - RJ-45, 20 ft (6.1 m) (6507640)
- 1 Cable, CAT5e, RJ-45 - RJ-45, 7 ft (2.1 m) (6509924)
- 1 Cable, DisplayPort™ to HDMI, 6 ft (1.8 m) (6508282)
- 1 Cable, HDMI, 20 ft (6.1 m) (6503567)
- 1 Cable, HDMI, 6 ft (1.8 m) (6503565)
- 1 Cable, USB 2.0, A - Micro-B, 6 ft (1.8 m) (6510947)
- 1 Cable, USB 3.0, Right angle USB-C® to A, 6 ft (1.8 m) (6511591)
- 1 Cable, USB Extension, USB Type A Male-to-Female, 15 ft (4.6 m) (6508260)
- 1 Power supply (6500187)

*EDID passthroughs are not included in the UC-M50-T-L system.



Mount Devices

Mount the UC Bracket Assembly

Mount the UC Bracket Assembly to VESA® compliant display devices, a wall, or other building structure. Anchors and screws are supplied for installation on walls 3/8 in. (9.5 mm) to 3/4 in. (19 mm) thickness.

CAUTION: Preinstalled screws may protrude from the back of the UC Bracket Assembly. Exercise caution when handling the UC Bracket Assembly to avoid scratching or damaging surfaces.

NOTE: The integrated cable tie wraps are reusable. Avoid damaging the cable tie wraps.

Mount the Camera

Mount the included camera according to the [UC-CAM-WMK Quick Start](#) (Doc. 8257).



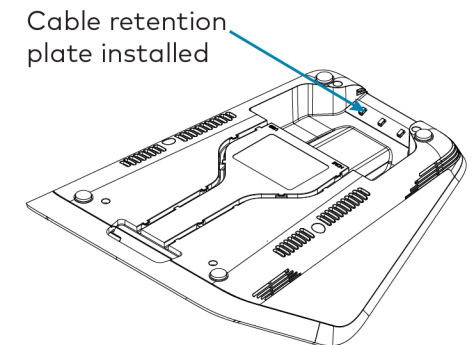
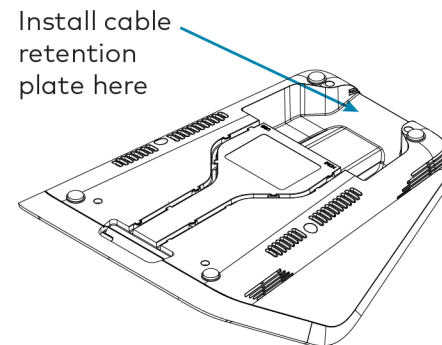
Install the Cable Retention Plate

The included cable retention plate provides tie-down points for cables that connect to the Crestron® conference device.

Remove the adhesive backing from the cable retention plate and install the plate on the underside of the conference device as shown in the following diagram. Ensure the cable retention plate is firmly attached before securing cables.

CAUTION: When turning over the device, place the device on a soft surface to avoid damage.

NOTE: If a swivel mount kit ([CCS-UCA-SMK](#)) is to be used, use the cable retention bracket included with the swivel mount kit as described in the [CCS-UCA-SMK DO Guide](#) (Doc. 7882).



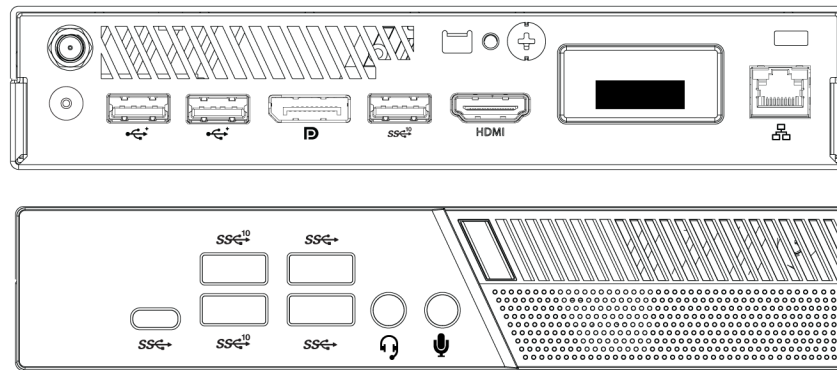
Crestron Flex Tabletop Medium Room Video Conference System for Microsoft Teams® Rooms



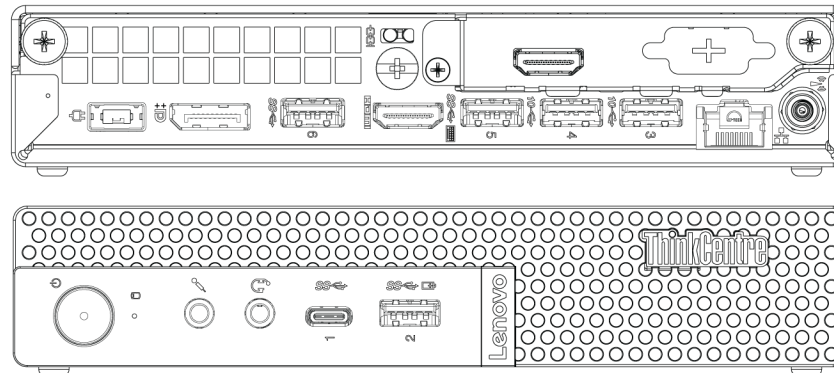
Identify the UC Engine

The UC Engine is available in two models. Identify the model included with your Crestron Flex system. Tap or click the corresponding image below to navigate to the appropriate connection instructions.

ASUS® Mini PC (UC-M50-T)



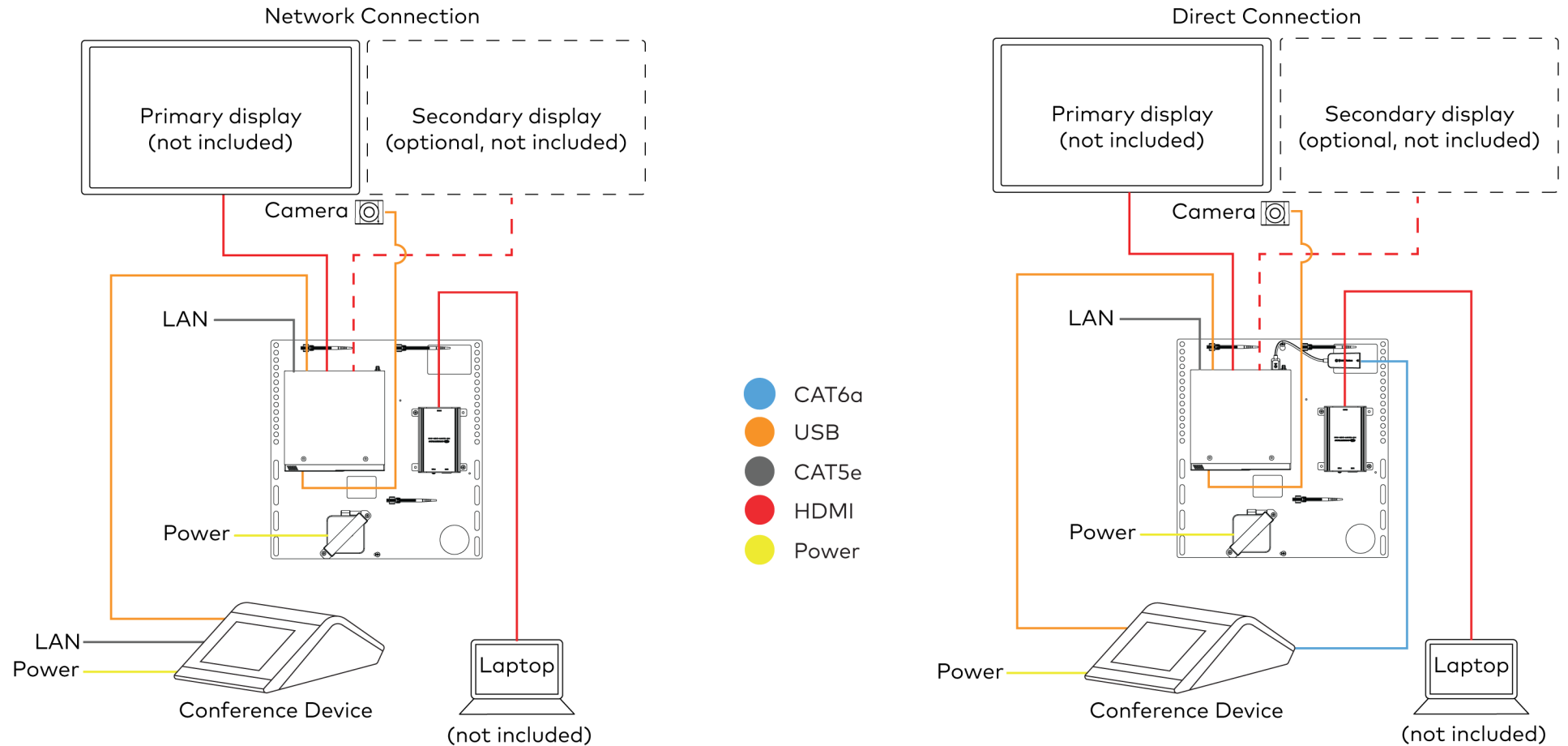
Lenovo® M920Q ThinkSmart™ Edition Tiny (UC-M50-T-L)



Crestron Flex Tabletop Medium Room Video Conference System for Microsoft Teams® Rooms

System Overview (UC-M50-T)

When connections are complete, the system appears as shown below. Refer to [Make Connections \(UC-M50-T\)](#) for detailed connection instructions.



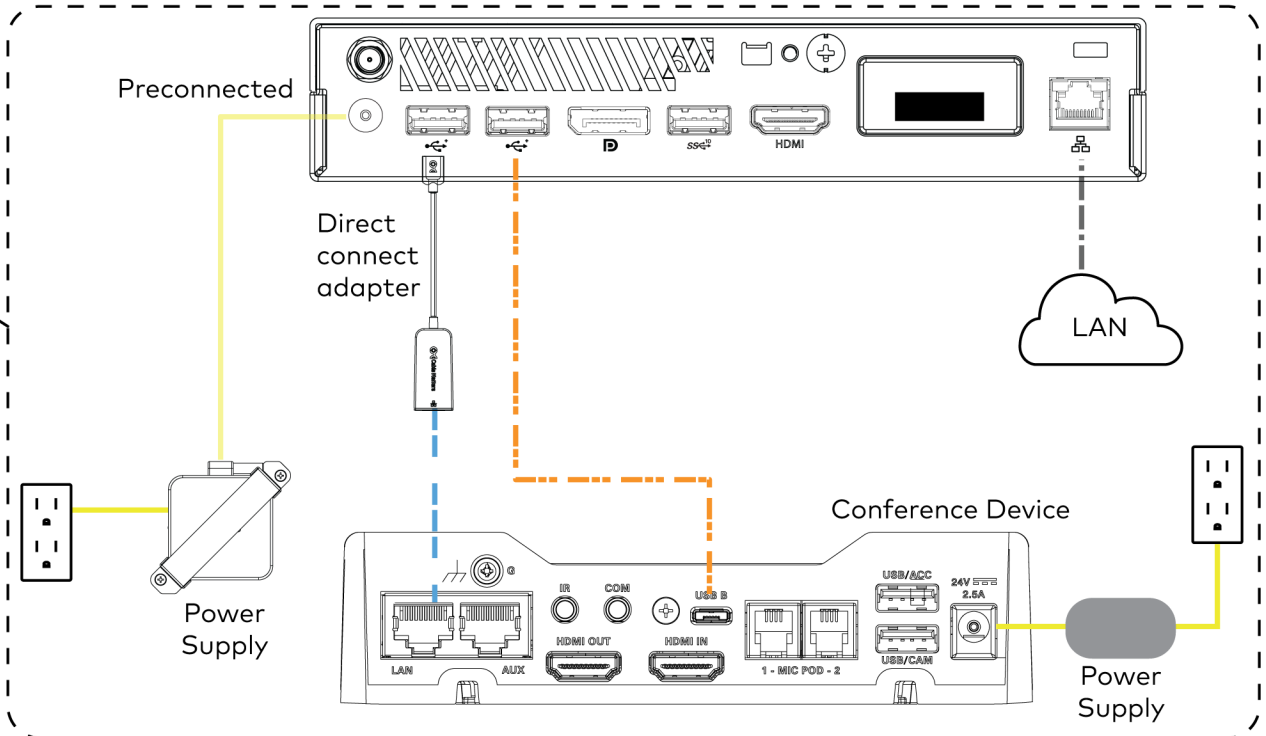
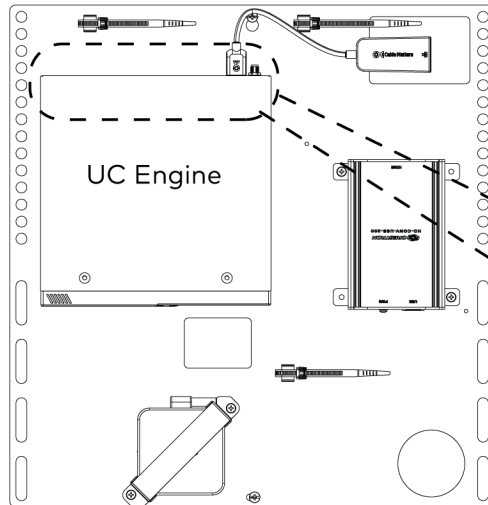
Crestron Flex Tabletop Medium Room Video Conference System for Microsoft Teams® Rooms

Make Connections (UC-M50-T)

1. Make UC Engine connections as shown in the following illustrations.

- Make a direct connection for simple installation and setup. Only use the direct connect adapter to connect the conference device to the UC Engine. Do not use the direct connect adapter to connect the UC Engine to the network.

Direct Connection



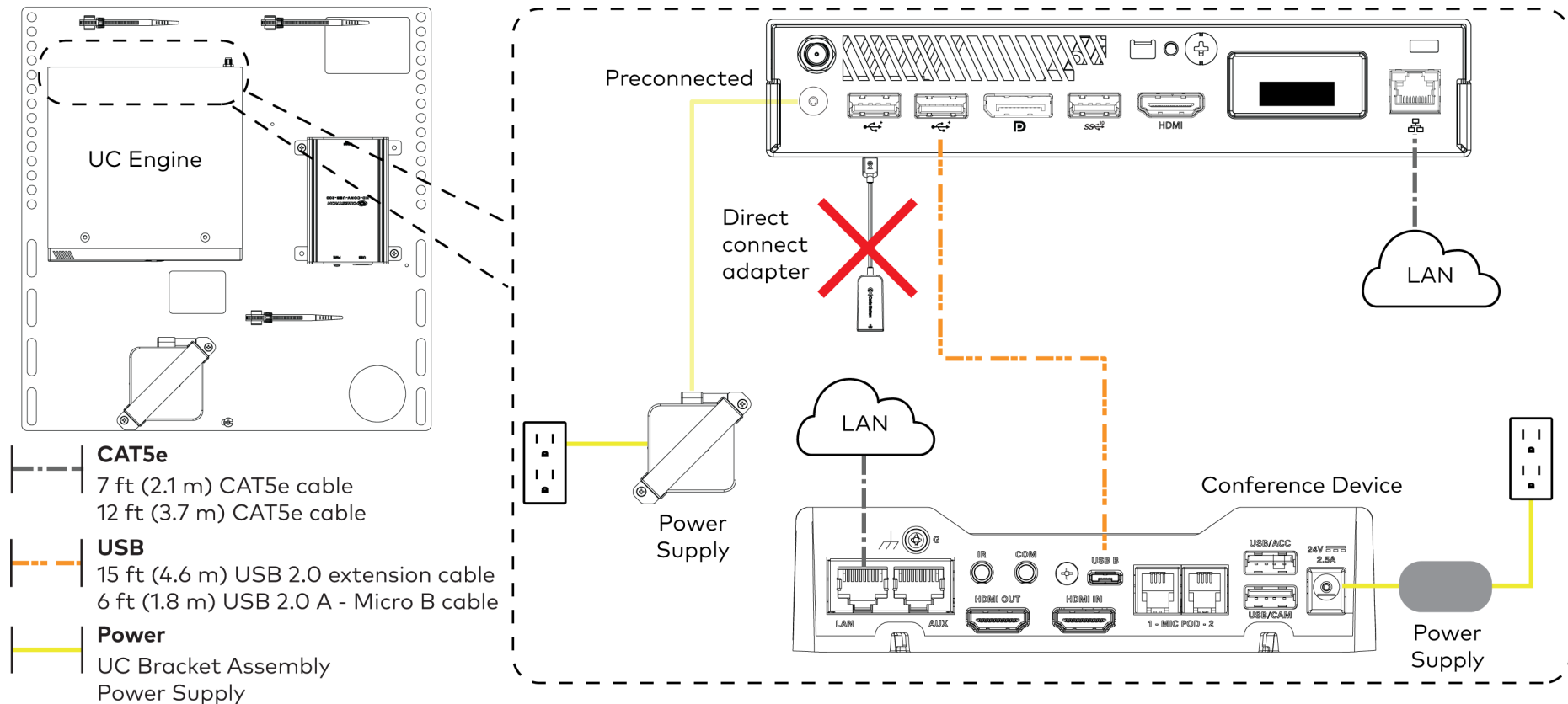
- CAT5e**
7 ft (2.1 m) CAT5e cable
- CAT6a**
20 ft (6.1 m) CAT6a patch cable
- USB**
15 ft (4.6 m) USB 2.0 extension cable (optional)
6 ft (1.8 m) USB 2.0 A - Micro B cable
- Power**
UC Bracket Assembly
Power Supply

Crestron Flex Tabletop Medium Room Video Conference System for Microsoft Teams® Rooms

- Make a network connection if the system is to be managed by the XiO Cloud® service.

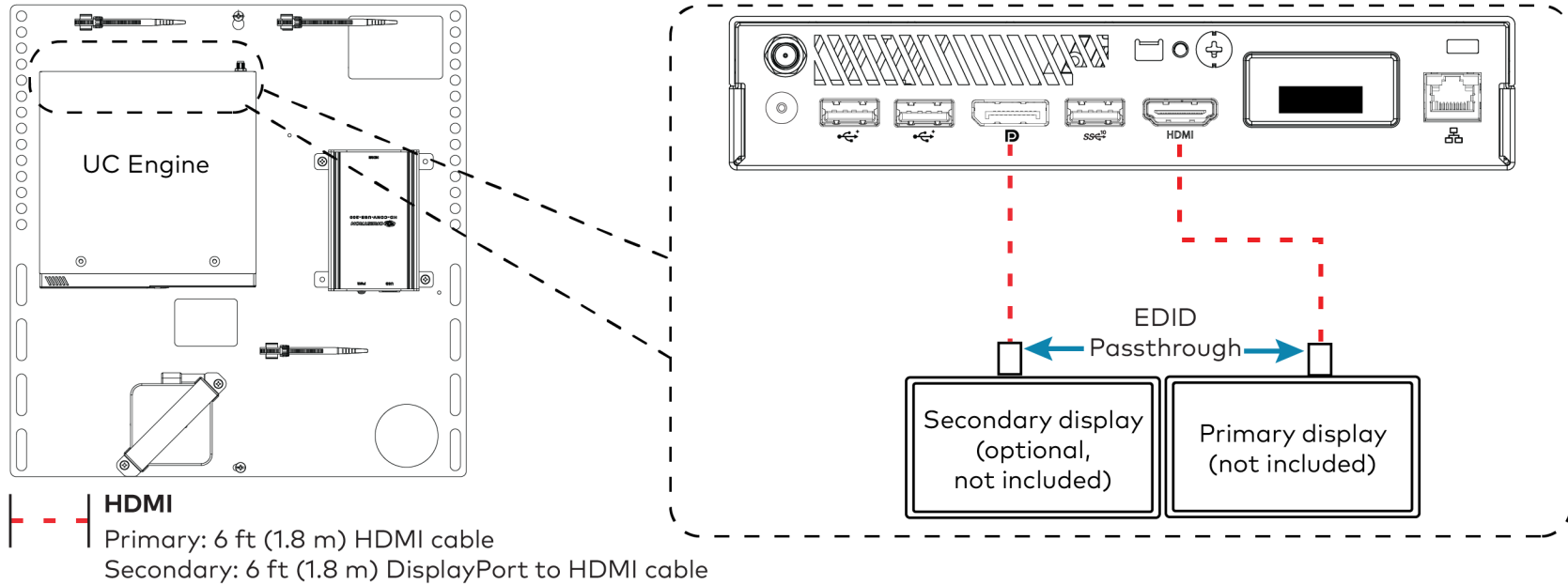
NOTE: When a network connection is used, disconnect the direct connect adapter from the UC Engine.

Network Connection



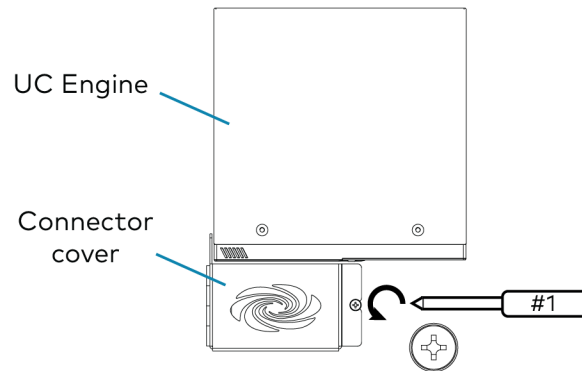
Crestron Flex Tabletop Medium Room Video Conference System for Microsoft Teams® Rooms

2. Connect displays to the UC Engine. Connect the EDID passthroughs to the displays.

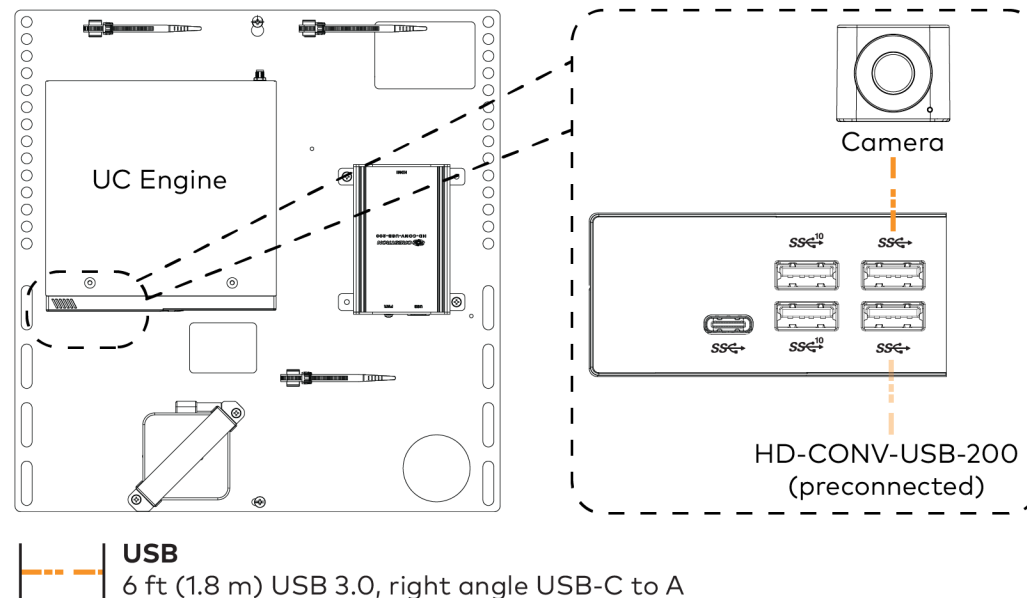


Crestron Flex Tabletop Medium Room Video Conference System for Microsoft Teams® Rooms

3. Remove the screw from the connector cover (located below the UC Engine) using a Philips #1 screwdriver (not included). Open the connector cover and retain the screw.

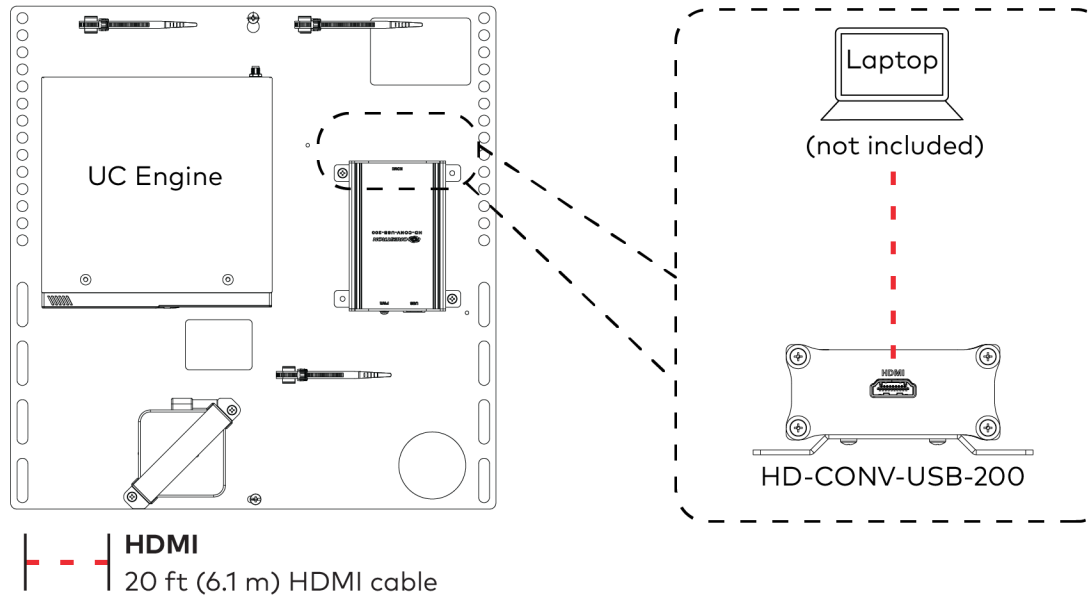


4. Connect the camera to the UC Engine as shown in the image below. Do not connect the camera to any of the other USB ports.



Crestron Flex Tabletop Medium Room Video Conference System for Microsoft Teams® Rooms

5. Reattach the connector cover using the screw removed in step 3.
6. Connect a laptop to the content ingest device (HD-CONV-USB-200).

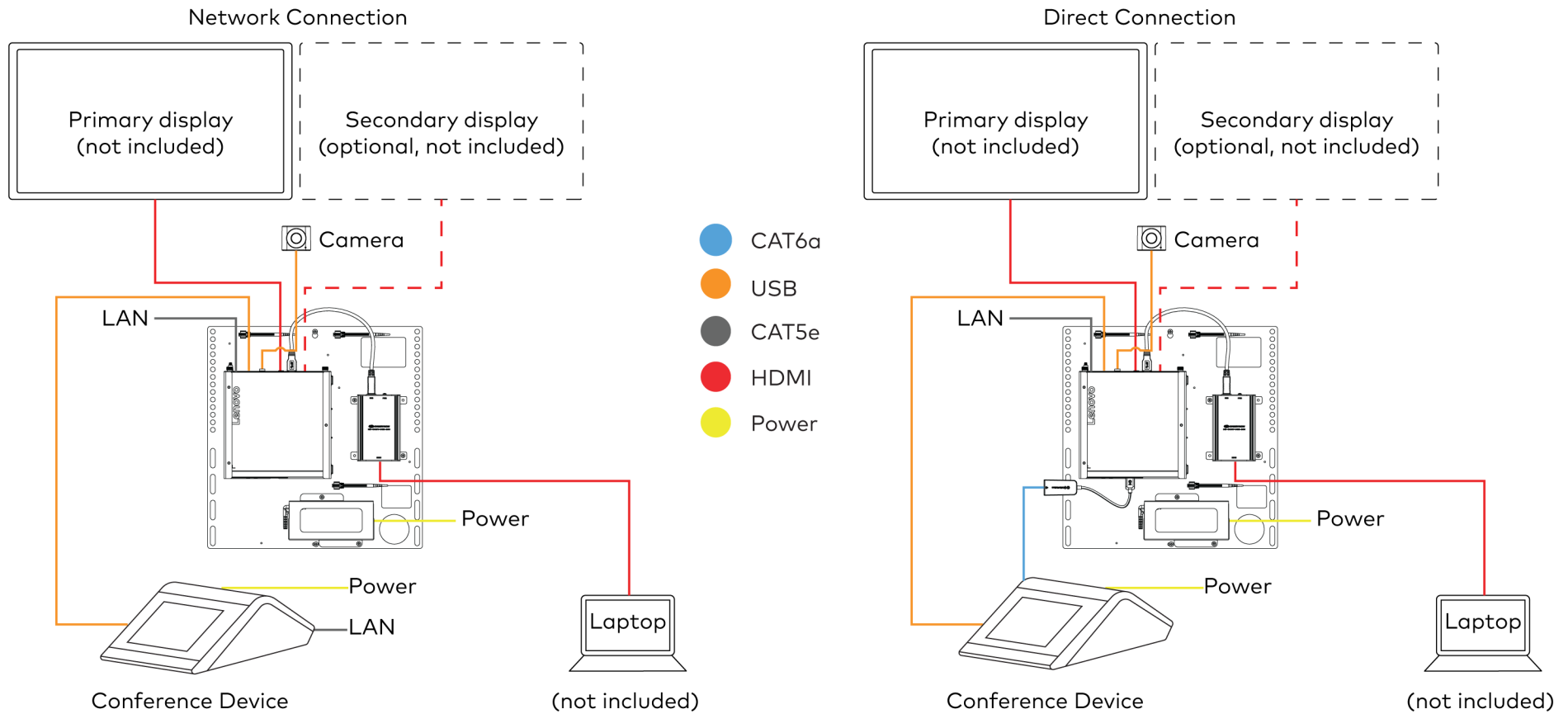


7. Bundle the cables to the bracket assembly with the integrated cable tie wraps. The cable tie wraps are reusable.

Crestron Flex Tabletop Medium Room Video Conference System for Microsoft Teams® Rooms

System Overview (UC-M50-T-L)

When connections are complete, the system appears as shown below. Refer to [Make Connections \(UC-M50-T-L\)](#) for detailed connection instructions.



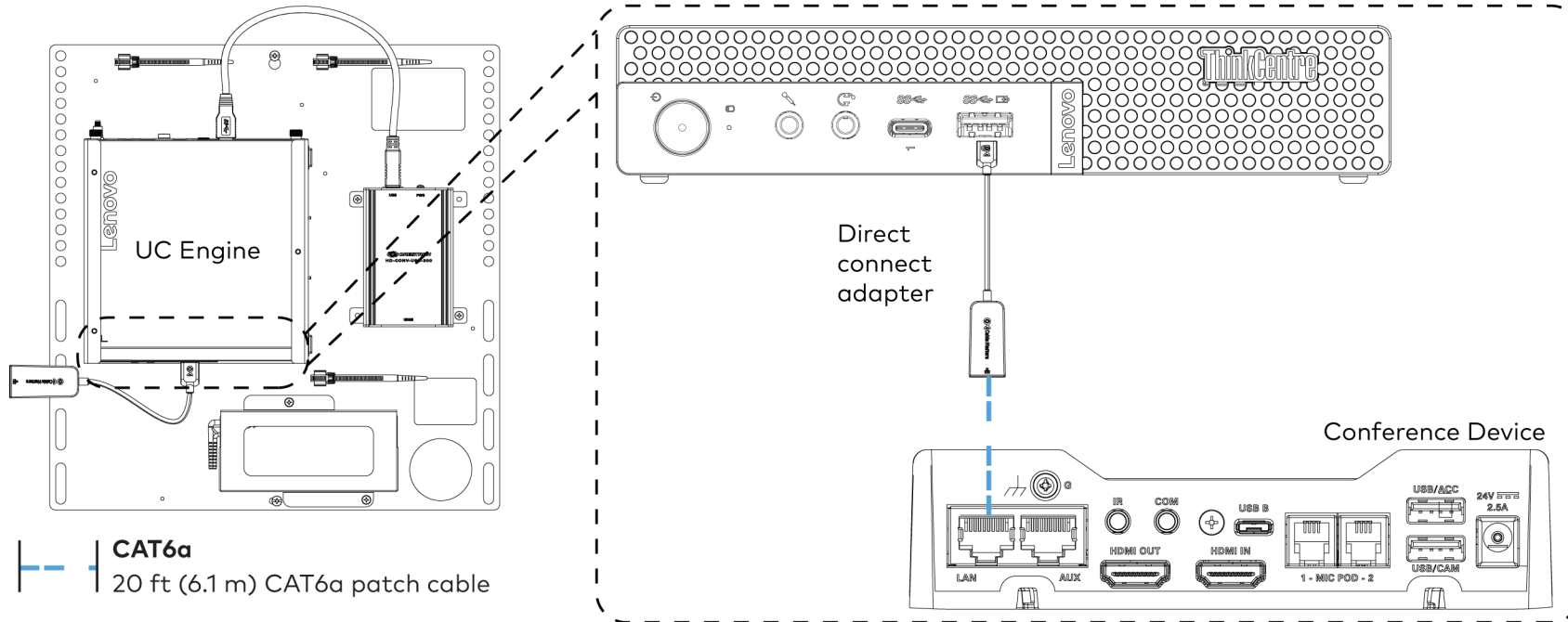
Crestron Flex Tabletop Medium Room Video Conference System for Microsoft Teams® Rooms

Make Connections (UC-M50-T-L)

1. Make UC Engine connections as shown in the following illustrations.

- Make a direct connection for simple installation and setup. Only use the direct connect adapter to connect the conference device to the UC Engine. Do not use the direct connect adapter to connect the UC Engine to the network.

Direct Connection

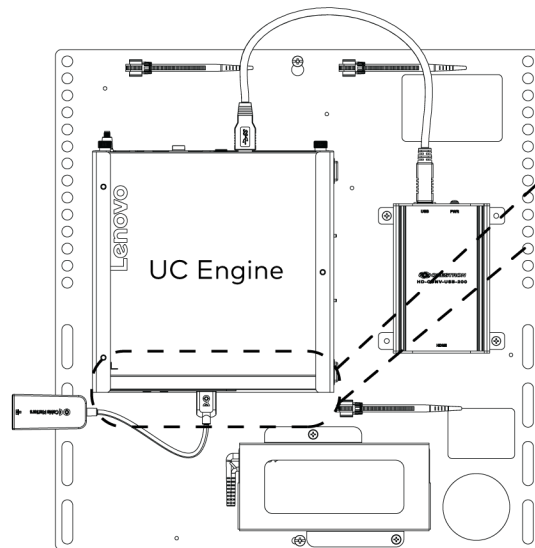


Crestron Flex Tabletop Medium Room Video Conference System for Microsoft Teams® Rooms

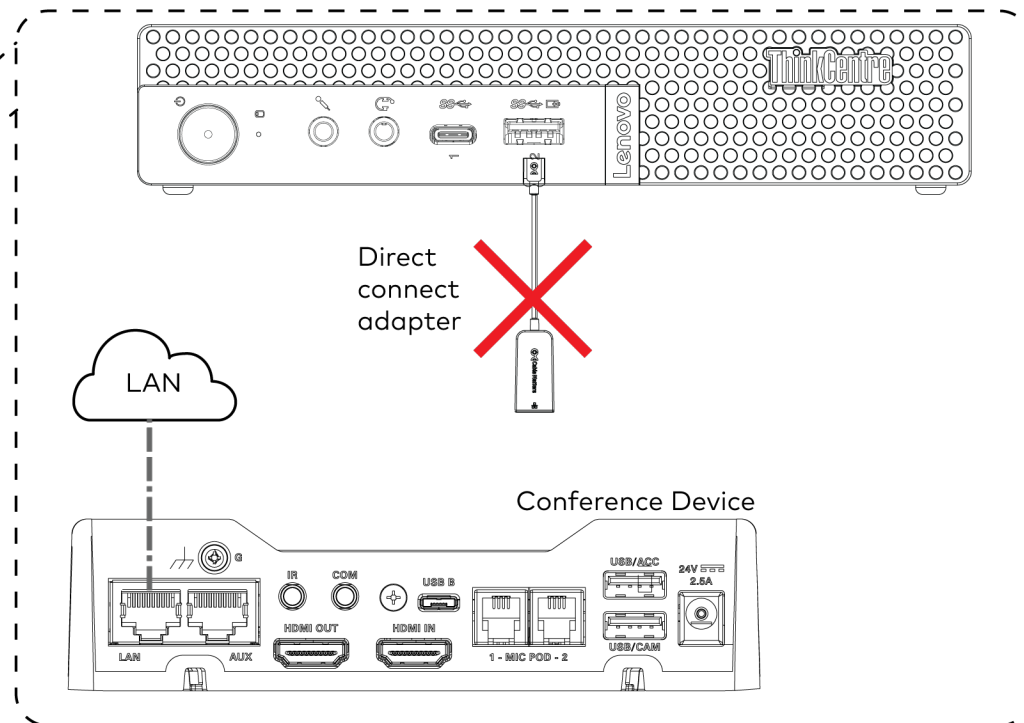
- Make a network connection if the system is to be managed by the XiO Cloud® service.

NOTE: When a network connection is used, disconnect the direct connect adapter from the UC Engine.

Network Connection

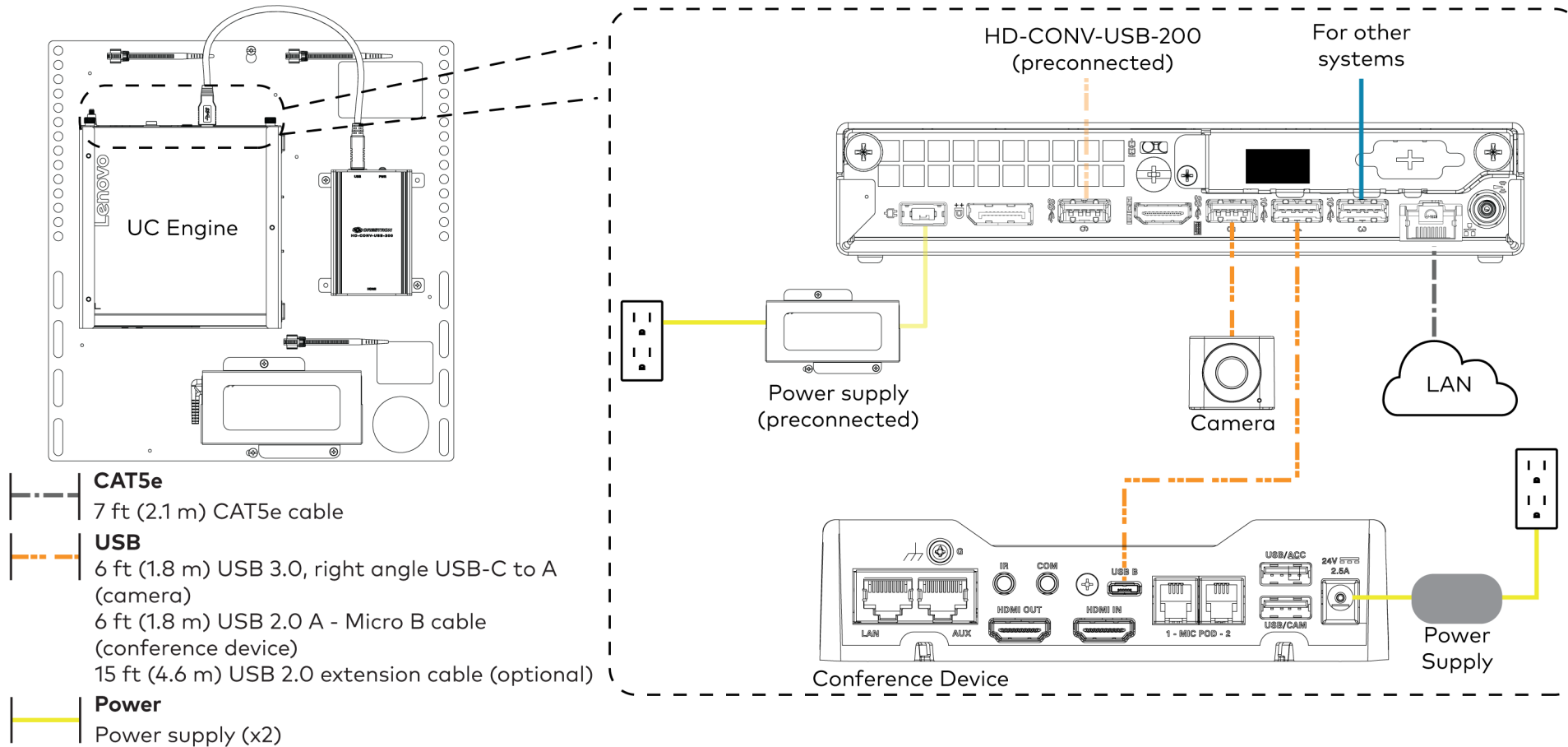


CAT5e
12 ft (3.7 m) CAT5e cable



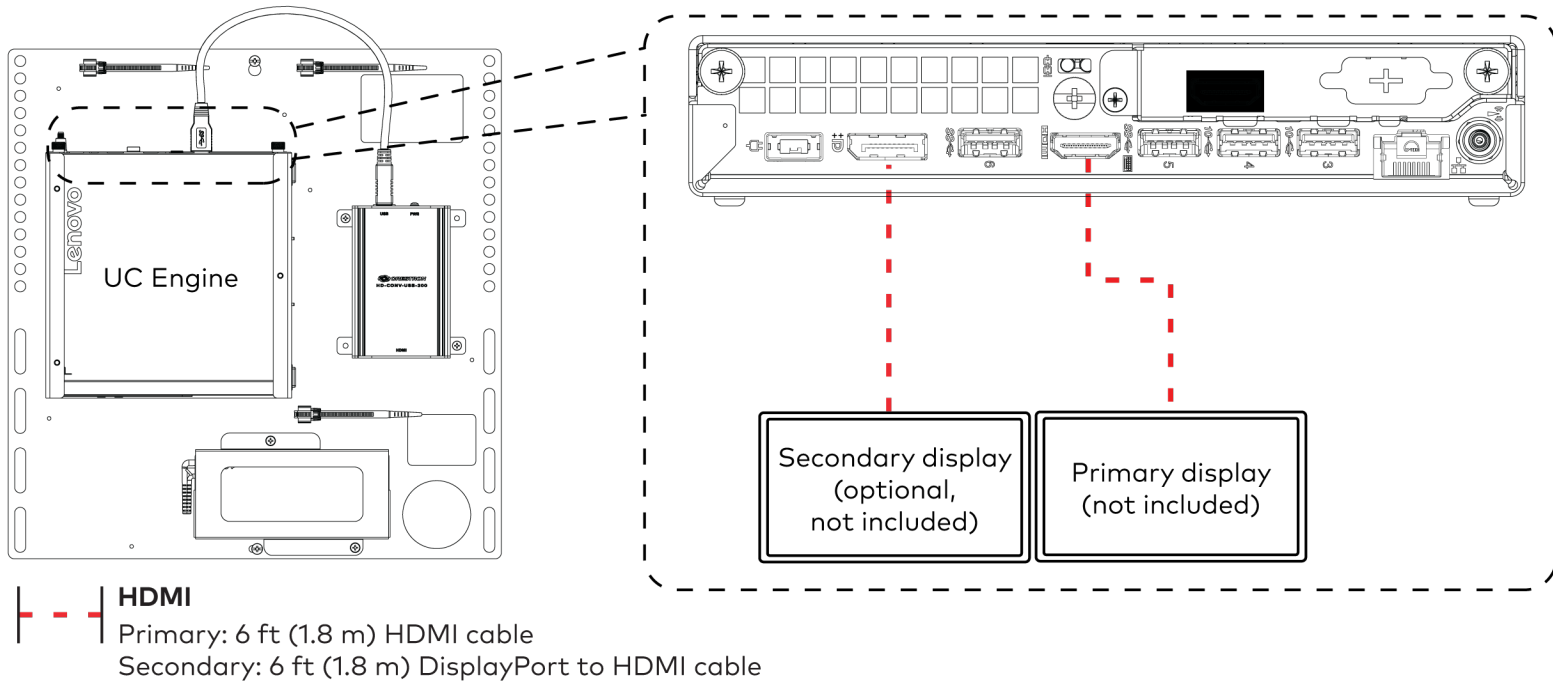
Crestron Flex Tabletop Medium Room Video Conference System for Microsoft Teams® Rooms

2. Make camera, conference device, and network connections to the top of the UC Engine. Connect the bracket assembly's integrated power supply and the conference device's power supply to AC power outlets.



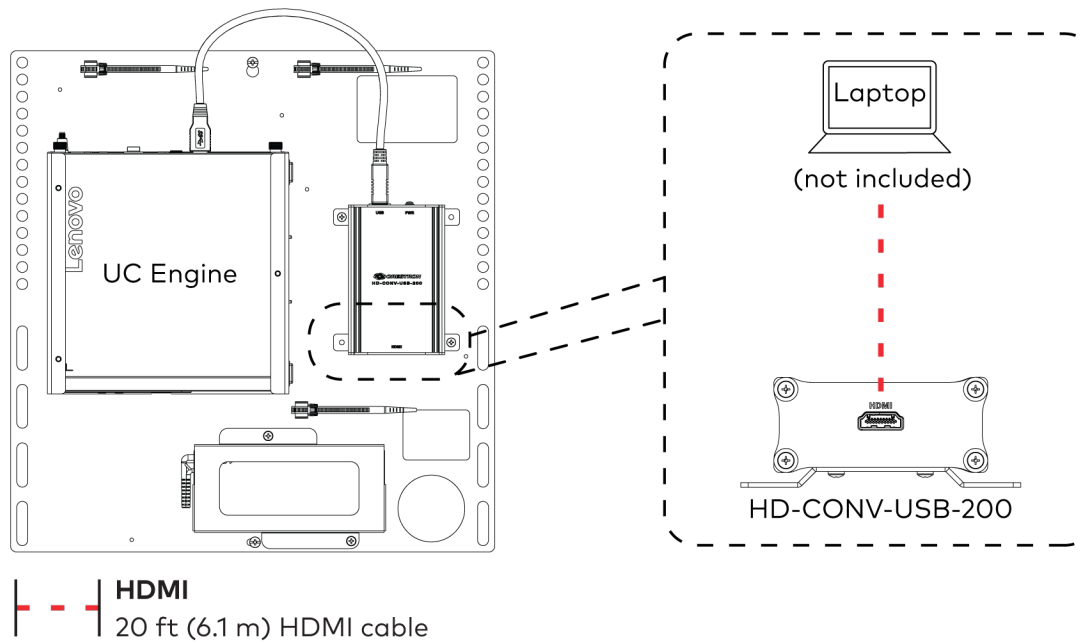
Crestron Flex Tabletop Medium Room Video Conference System for Microsoft Teams® Rooms

3. Connect displays to the UC Engine.



Crestron Flex Tabletop Medium Room Video Conference System for Microsoft Teams® Rooms

4. Connect a laptop to the content ingest device (HD-CONV-USB-200).



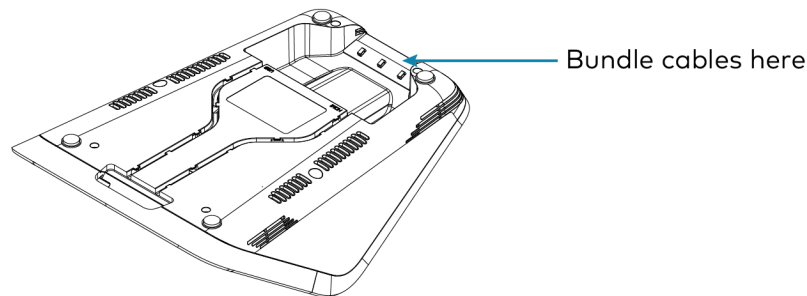
5. Bundle the cables to the bracket assembly with the integrated cable tie wraps. The cable tie wraps are reusable.

Crestron Flex Tabletop Medium Room Video Conference System for Microsoft Teams® Rooms



Bundle Cables

Bundle the cables together and use a provided tie wrap to secure the bundle to one of the positions on the cable retention plate at the rear of the device. Avoid bundling power and data cables together.



Configure

Apply Power

Press the power button on the bottom of the UC Engine and apply power to all of the other devices in the system. The conference device will display its IP address.

Configure the Conference Device

NOTE: If a Direct Connection was made between the conference device and the UC Engine, skip to [Configure the System](#).

1. On a computer, open a web browser to the IP address displayed on the conference device.

NOTES:

- The device and computer must be on the same network switch and VLAN.
- A login with administrative rights for the device is required.

2. Log in to the device and navigate to **DEVICE > Applications**.
3. Enter the following information in the appropriate fields:
 - **Teams Video PC Address:** Enter the IP address or hostname of the UC Engine.

NOTE: The hostname is printed on a label affixed to the UC Engine.

- **Teams Video PC Port:** By default, port number 49500 is used. If a different port number has been configured on the UC Engine, enter that port number instead.
- **Teams Video Username:** Enter the login username for the UC Engine. (The default username is "admin".)
- **Teams Video Password:** Enter the login password for the UC Engine. (The default password is "sfb".)

4. Click **Save Changes**.

For more information, refer to the [CCS-UC-1 Product Manual](#) (Doc. 7844).

Configure the System

Use the conference device and your Microsoft Teams or Skype account credentials to configure the UC Engine. For detailed information on deploying Microsoft Teams Rooms, refer to the [Microsoft Teams Rooms](#) documentation.

Crestron Flex Tabletop Medium Room Video Conference System for Microsoft Teams® Rooms



Visit the Product Page

Scan the QR code to visit the product page.

UC-M50-T



www.crestron.com/model/6511604

UC-M50-T-L



www.crestron.com/model/6512174

Additional Information

Original Instructions

The U.S. English version of this document is the original instructions. All other languages are a translation of the original instructions.

Crestron product development software is licensed to Crestron dealers and Crestron Service Providers (CSPs) under a limited nonexclusive, nontransferable Software Development Tools License Agreement. Crestron product operating system software is licensed to Crestron dealers, CSPs, and end-users under a separate End-User License Agreement. Both of these Agreements can be found on the Crestron website at www.crestron.com/legal/software_license_agreement.

The product warranty can be found at www.crestron.com/warranty.

The specific patents that cover Crestron products are listed at www.crestron.com/legal/patents.

Certain Crestron products contain open source software. For specific information, visit www.crestron.com/opensource.

Crestron, the Crestron logo, and XiO Cloud are either trademarks or registered trademarks of Crestron Electronics, Inc. in the United States and/or other countries. ASUS is either a trademark or registered trademark of ASUSTeK Computer Inc. in the United States and/or other countries. HDMI is either a trademark or registered trademark of HDMI Licensing LLC in the United States and/or other countries. Lenovo and ThinkSmart are either trademarks or registered trademarks of Lenovo in the United States and/or other countries. Microsoft 365, Microsoft Exchange Server, Microsoft Teams, and Skype are either trademarks or registered trademarks of Microsoft Corporation in the United States and/or other countries. USB-C is either a trademark or registered trademark of USB Implementers Forum, Inc. in the United States and/or other countries. DisplayPort and VESA are either trademarks or registered trademarks of Video Electronics Standards Association in the United States and/or other countries. Other trademarks, registered trademarks, and trade names may be used in this document to refer to either the entities claiming the marks and names or their products. Crestron disclaims any proprietary interest in the marks and names of others. Crestron is not responsible for errors in typography or photography.

©2021 Crestron Electronics, Inc.

Doc. 8812C

06/02/21