

MSA02

DOUBLE SWING ARM WALL MOUNT

FOR 10"-29" SCREENS

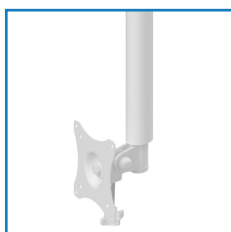
The MSA02 is a high-end ceiling mount with gas spring and cable organiser designed for medical applications. It was designed to work with monitors of screen diagonal ranging from 10 to 29 inches. The mount is adjustable in all planes, so you can choose the right viewing angle for your screen.

FEATURES

- Works with TVs with a screen diagonal of 10" - 29"
- Full adjustment
- Maximum VESA spacing - 100 x 100 mm
- Load capacity up to 10 kg

PRODUCT SPECIFICATIONS

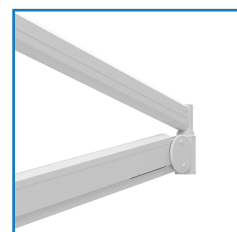
Short index	MSA02
Product group	Display Mounts
Category	Swing Arms Wall Mounts
Colour	White
Warranty	Limited 5-years
Number of screens	1
Minimum screen size	10"
Maximum screen size	29"
Maximum load	10 kg
Forward tilting	22,5°/-22,5
Arm rotation	90°
Left-right rotation	360°
VESA Mounting Compatibility	75x75 up to 100x100



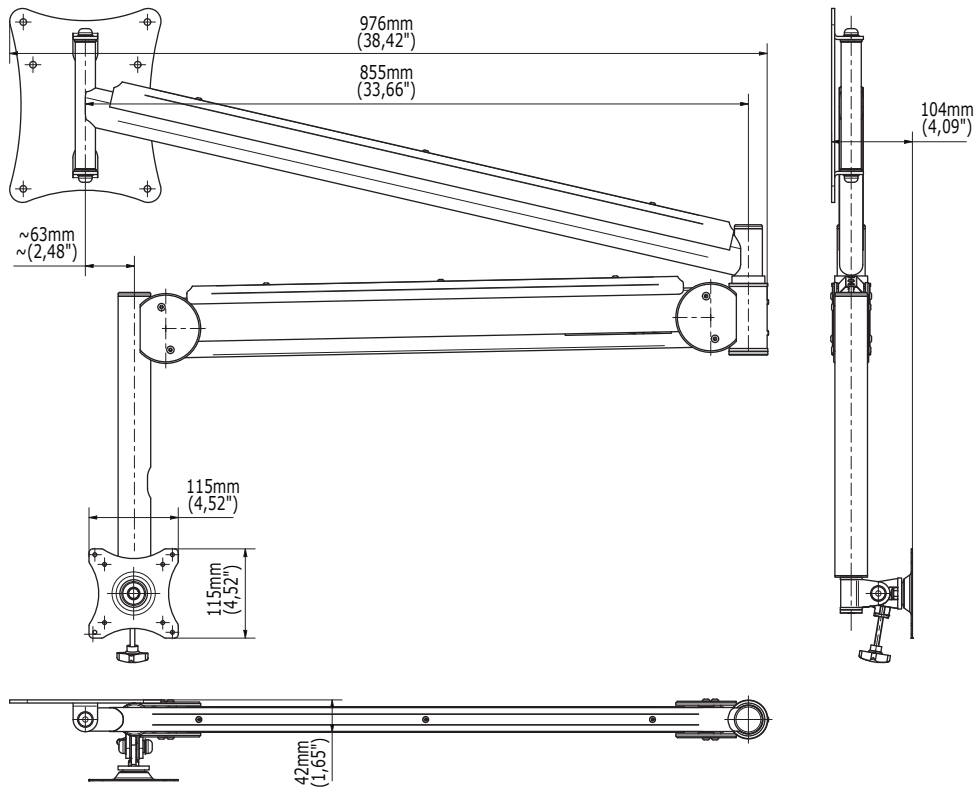
Possibility of tilting the screen 22,5°/-22,5



Cable routed inside the arm



Adjustable position of arm


TECHNICAL SPECIFICATIONS

Product dimensions	W: 976 mm D: 104 mm H: 930 mm (W:38,42" D:4,09" H:36,61")
Product weight	10,5 kg (23,14 lb)
Max. distance from mounting surface	1610 mm(63,38")
Min. distance from mounting surface	104 mm(4,09")
Max. mounting pattern	100 mm x 100 mm(3,93 x 3,93")
Min. mounting pattern	75 mm x 75 mm(2,95 x 2,95")

LOGISTICS DATA

SAP INDEX	EAN CODE	COLOUR	PACKAGE DIMENSIONS	PACKAGE WEIGHT
WUSC-MSA02	5908252962570	WHITE	1080 x 650 x 220 mm 42,51 x 25,59 x 8,66"	12 kg 26,45 lb

HS Code (Harmonized System): 732690, HTS Code (Harmonized Tariff Schedule): 7326909890, Country of Origin: Poland

ACCESSORIES AND RELATED PRODUCTS


MSA01