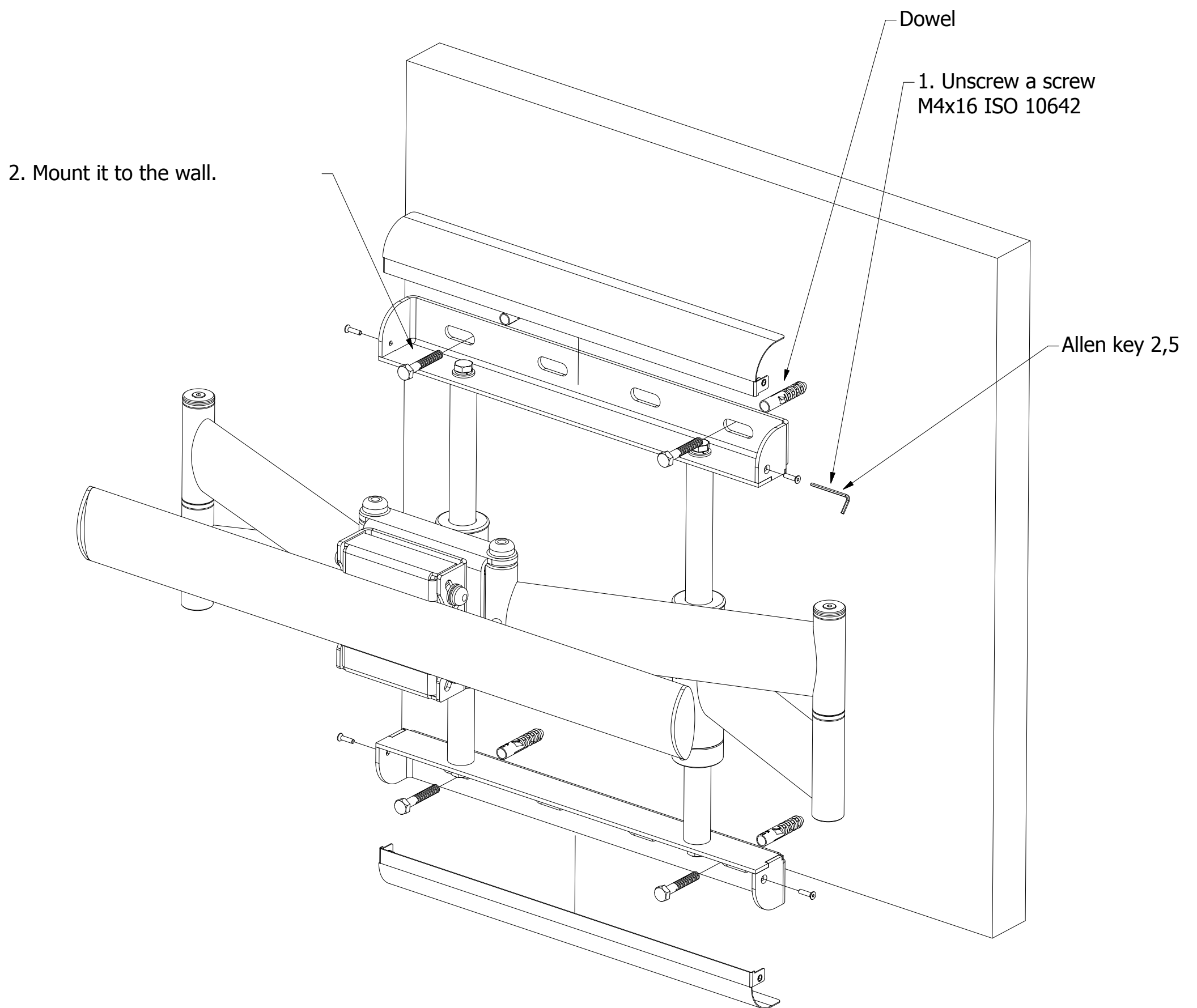
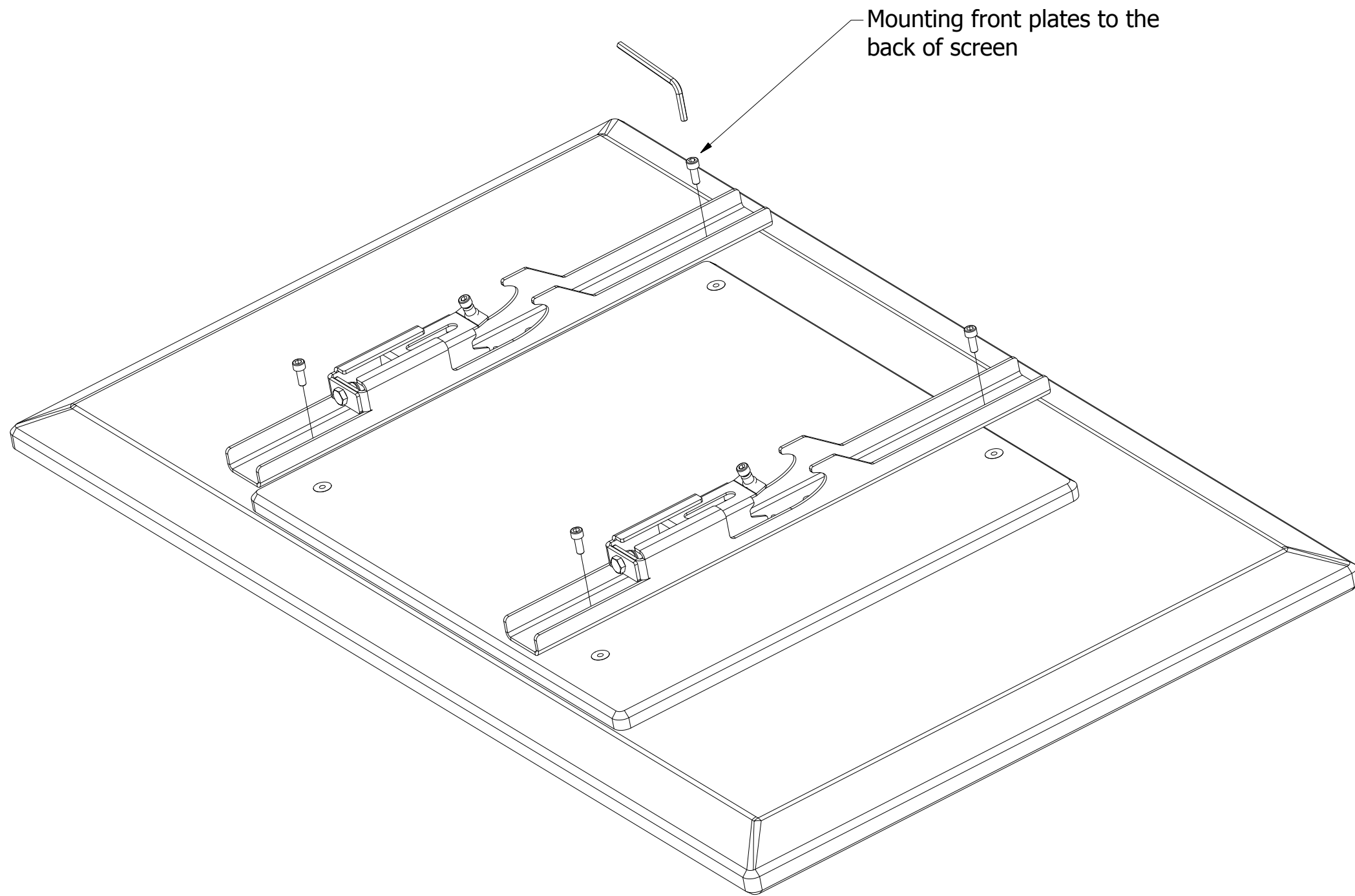
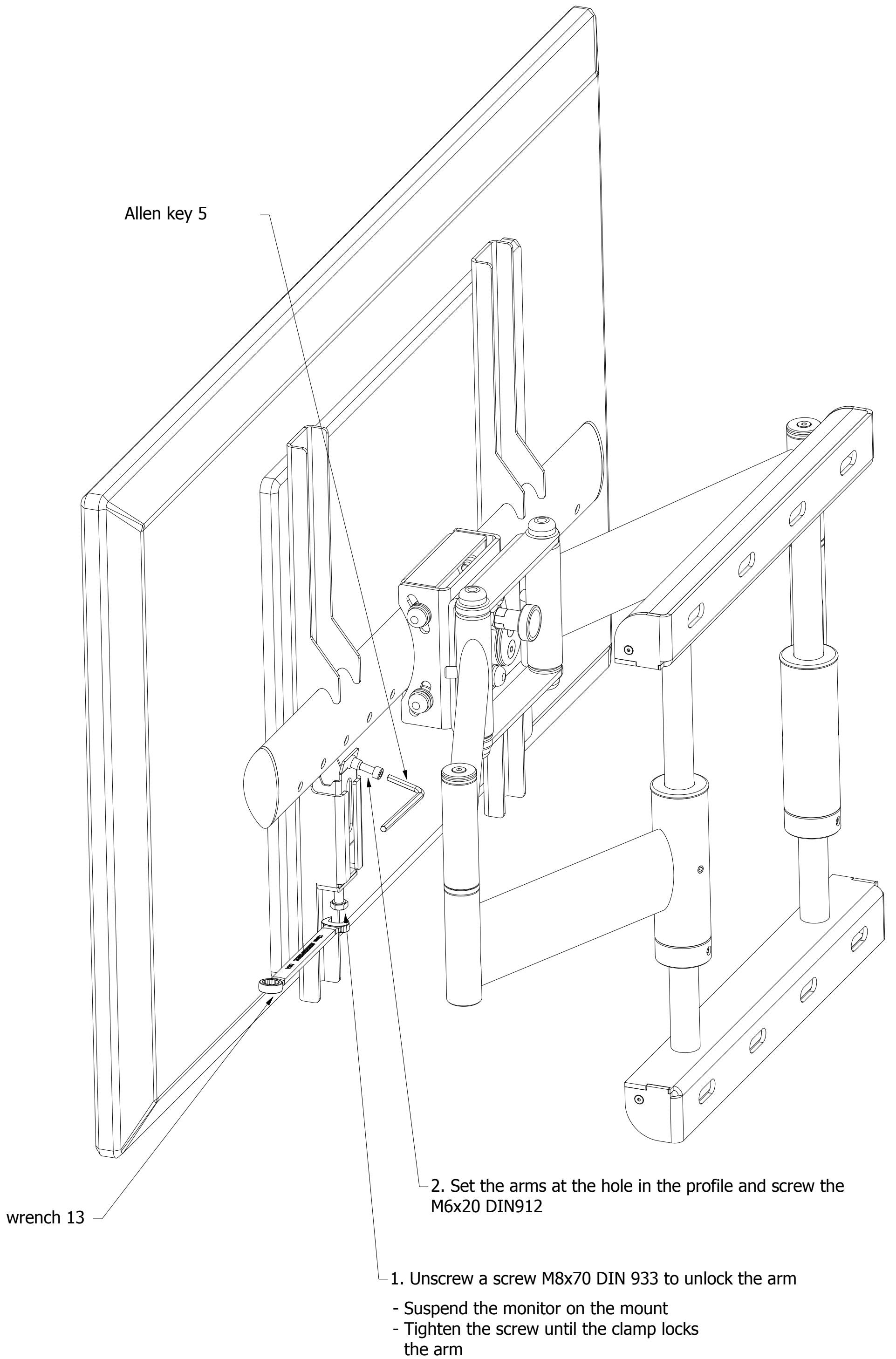


RMSA1 INSTRUCTION MANUAL

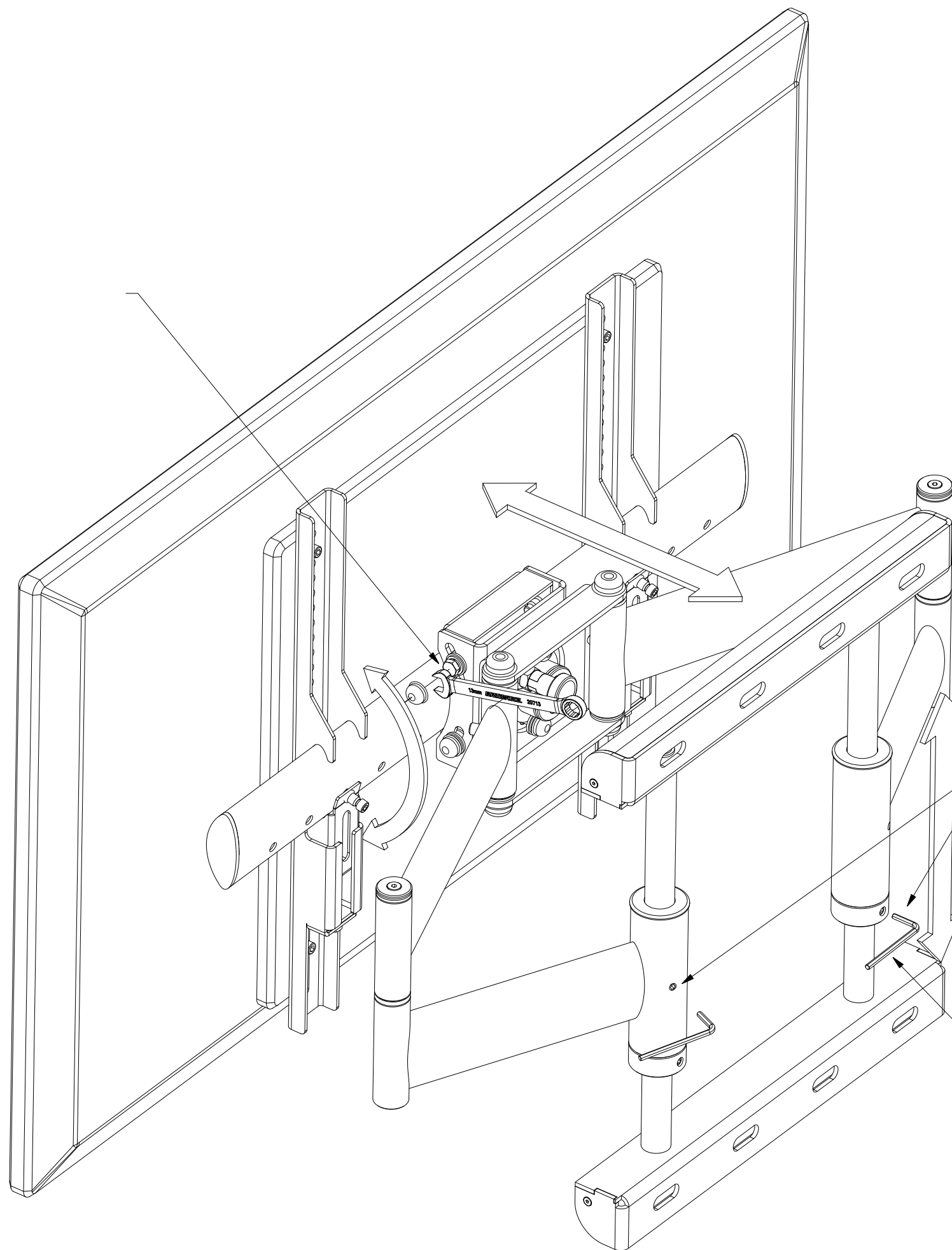




Mounting front plates to the back of screen



Tilt adjustment:
- loosen 4 screws - M8x30 DIN933
- tilt the screen, a
- tighten the screws



Height adjustment:
- loosen the screw M8x10 DIN 913
- set the required height
- tighten the screw

Allen key 4

Landscape and portrait option: pull out the mount and rotate it.

