

# TR3

## FLAT SCREEN TROLLEY

FOR TWO 42"-65" SCREENS, VERTICAL POSITION

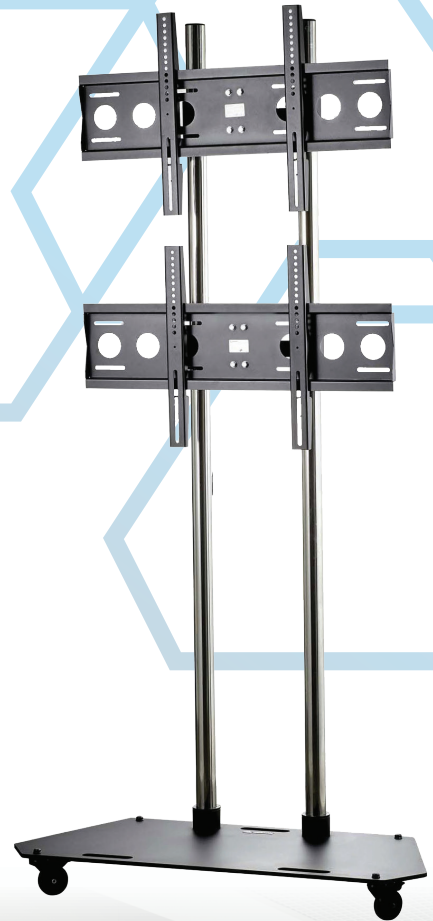
TR3 is a universal video conference trolley for two screens mounted in vertical position. The lightweight and minimalist design of powder-coated steel and polished tubes makes it perfect for any interior such as offices, conference rooms and waiting rooms. Adjustable height and the possibility of tilting the screen make TR3 extremely functional. TR3 features a cable management system to hide cables and keep the aesthetic, smart appearance of the entire installation. Castors with a braking mechanism ensure mobility.

### FEATURES

- Simple and quick installation
- 2 screens in vertical position
- Aesthetic design of powder-coated steel and polished tubes
- Adjustable height
- Possible screen tilting
- Integrated cable management system for smart installation
- Includes 4 braked castors

### PRODUCT SPECIFICATIONS

Short index	TR3
Category	Flat Screen Trolleys Universal Series
Product group	Trolleys & Stands
Colour	Black
Warranty	Limited 5-years
Number of screens	2
Minimum screen size	42"
Maximum screen size	65"
Maximum load	80 kg
Forward tilting	-9°/+6°
VESA Mounting Compatibility	100x100 up to 600x400



42"-65"



100x100  
600x400



-9°/+6°



80 kg



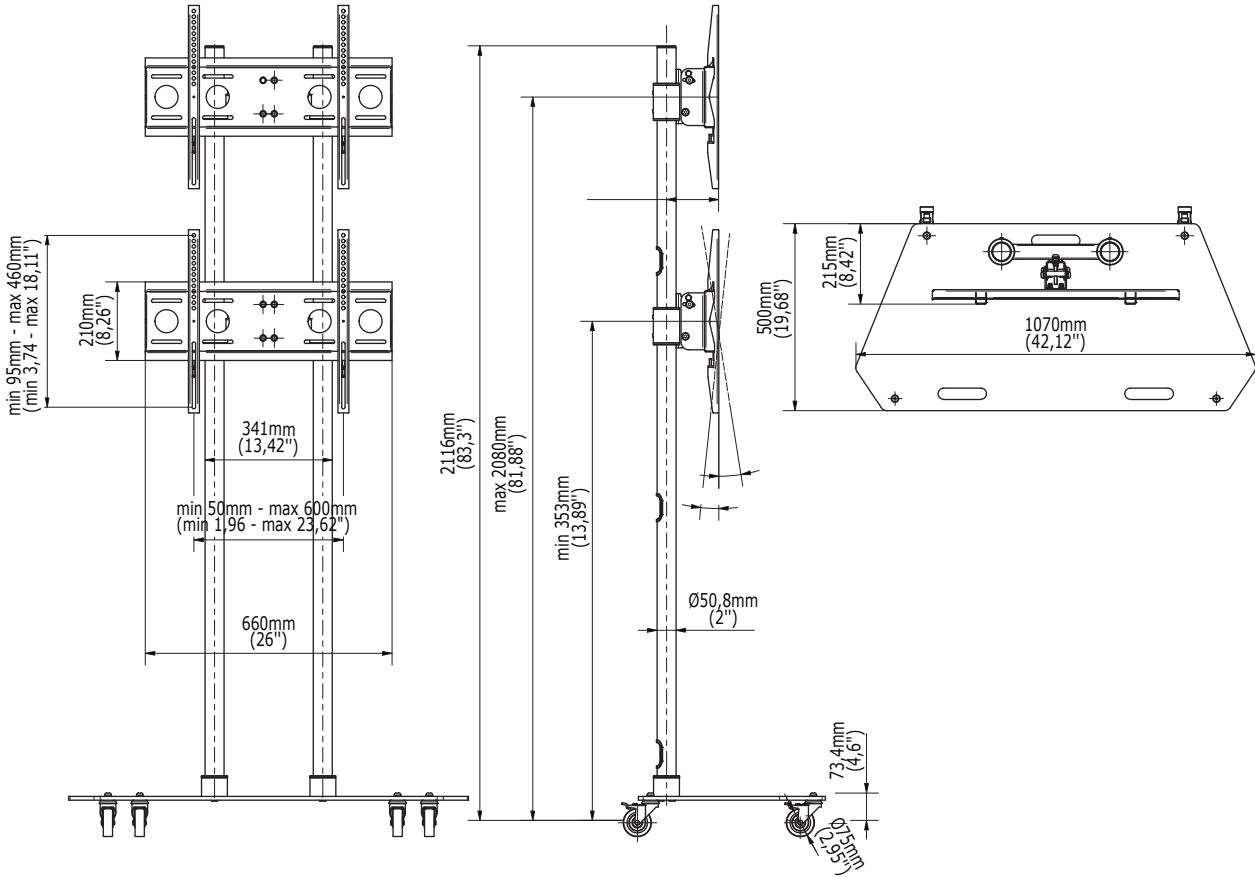
Securing the screen against falling with screws



Minimalistic design and functionality



A wide range of VESA mounting holes


**TECHNICAL SPECIFICATIONS**

Product dimensions	W: 500 mm D: 1070 mm H: 2116 mm (W:19,69" D:42,13" H:83,31")
Product weight	64,2 kg (142 lb)
Max. distance from the floor to the center of the screen	2080 mm (81,89")
Min. distance from the floor to the center of the screen	353 mm (13,90")
Max. mounting pattern	600 mm x 460 mm
Min. mounting pattern	45 mm x 95 mm

**LOGISTICS DATA**

SAP INDEX	EAN CODE	COLOUR	PACKAGE DIMENSIONS	PACKAGE WEIGHT
WWTR-TR3c-B	5902841104167	BLACK	210 x 80 x 140 mm 8,27 x 3,15 x 5,51"	71,4 kg 157 lb

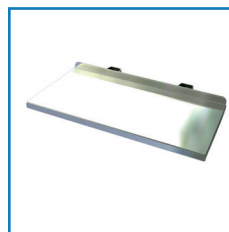
HS Code (Harmonized System): 732690, HTS Code (Harmonized Tariff Schedule): 7326909890, Country of Origin: Poland

**ACCESSORIES AND RELATED PRODUCTS**


TRS2



CH4/CH5



TRSM200



TR1

2021 - EDBAK Sp. z o.o. All rights reserved.  
The information included in the specifications reflects the current technical specifications at the time of printing. We reserve the right to modify technical or physical specifications without prior notice. EDBAK name and EDBAK logo are registered trademarks of EDBAK Sp. z o.o. All EDBAK images and symbols are sole property of EDBAK Sp. z o.o. Edbak shall not be held liable for any loss or damage caused by incorrect installation or mounting. Copying this specification in whole or in part is only allowed after obtaining written consent from EDBAK Sp. z o.o.  
TR3c-B-210601-EN