

PORTRAIT
INSTALLATION

TWB3

UNIVERSAL PORTRAIT WALL MOUNT

FOR 65"-86" SCREENS

Designed for practical portrait installation of the screen. TWB3 is a robust flat wall mount that provides extraordinary functionality with its minimalist design. The ease of installation makes it very simple to use on all types of wall surfaces. Screen protection against falling, robust finish and, at the same time, modern design allow the use of TWB3 in conference rooms, waiting rooms and public areas.



FEATURES

- Portrait installation of the screen
- Screen protection against falling
- Screen mounting screws included
- Robust design to ensure load capacity up to 80 kg
- Simple and quick installation
- Minimalist design and functionality
- Modern design

PRODUCT SPECIFICATIONS

Short index	TWB3
Category	Fixed Wall Mounts
Product group	Display Mounts
Colour	Black
Warranty	Limited 5-years
Number of screens	1
Minimum screen size	65"
Maximum screen size	86"
Maximum load	80 kg
VESA Mounting Compatibility	100x100 up to 400x800



100x100
400x800



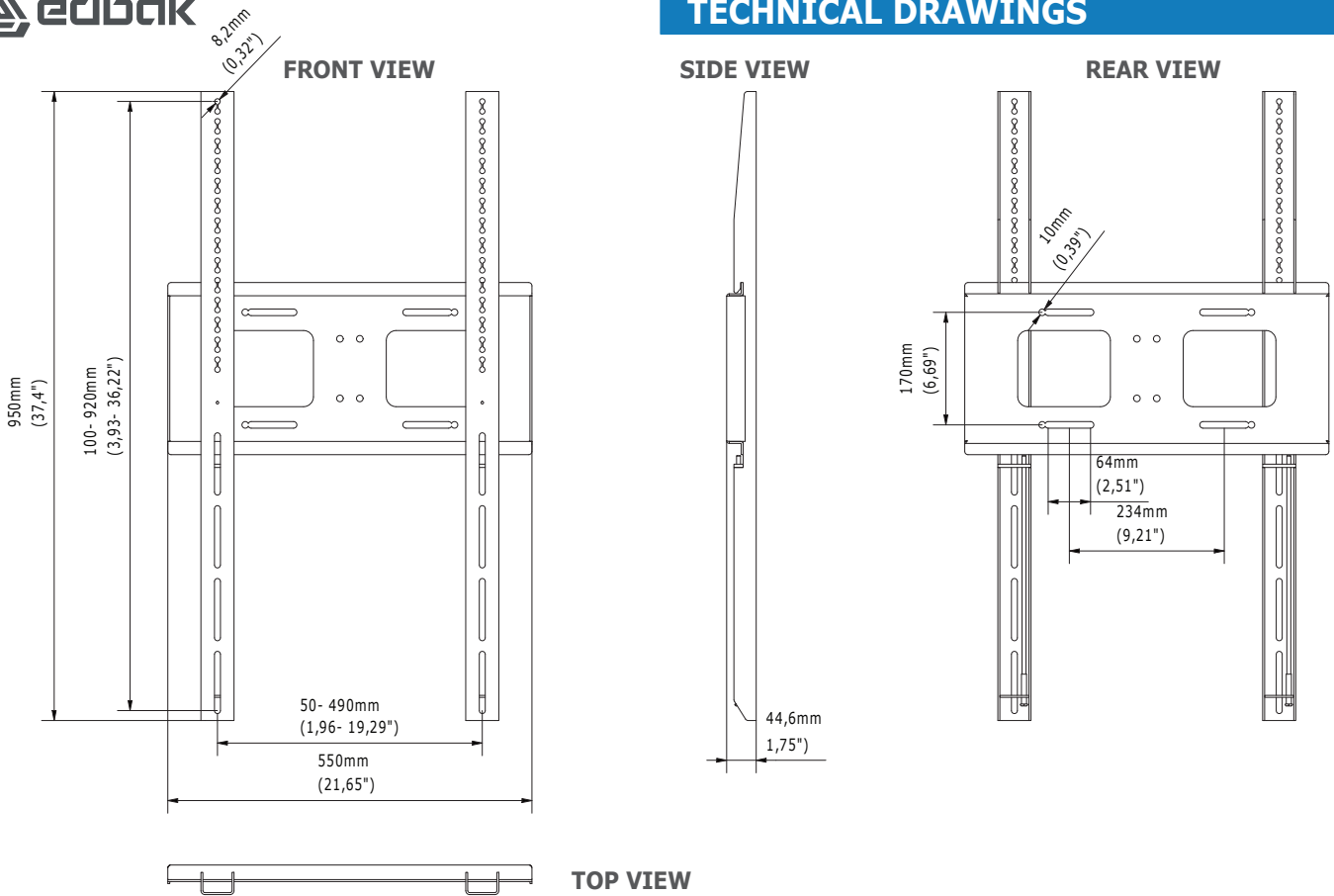
Minimalist design and functionality



Portrait installation of the screen



Security screws provide protection against accidental fall or unauthorised removal of a screen



TECHNICAL SPECIFICATIONS

Product dimensions	W: 550 mm D: 44,6 mm H: 950 mm (W:21,65" D:1,76" H:37,40")
Product weight	7,8 kg (17 lb)
Max. distance from the floor to the center of the screen	44,6 mm (1,76")
Min. distance from the floor to the center of the screen	44,6 mm (1,76")
Max. mounting pattern	490 mm x 920 mm
Min. mounting pattern	50 mm x 100 mm

LOGISTICS DATA

SAP INDEX	EAN CODE	COLOUR	PACKAGE DIMENSIONS	PACKAGE WEIGHT
WUSC-TWB3c-B	5908252961252	BLACK	970 x 360 x 60 mm 38,19 x 12,60 x 2,36"	9,0 kg 20 lb

HS Code (Harmonized System): 732690, HTS Code (Harmonized Tariff Schedule): 7326909890, Country of Origin: Poland

ACCESSORIES AND RELATED PRODUCTS



PWB3



LWB3



XWB3



VWF65-P