

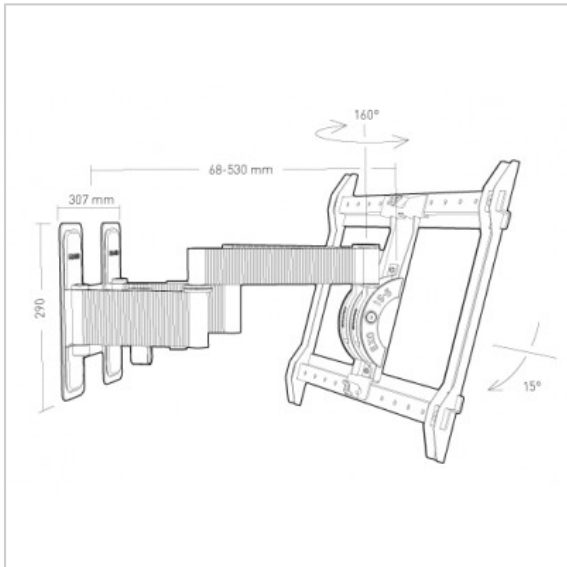


EXO XXL

Ref. : 048390

EXO XXLTW3 Tilting and swivelling PREMIUM wall mount

- Off-centre spacers to correct horizontality after drilling
- Texturized anodized aluminium arm, Titanium colour
- Screen and wall mount made of steel, black epoxy painting
- Delivered pre-assembled
- Magnetic cover for wall mount



ASSETS OF EXO XXLTW3

- Large wall plate : 307 mm
- Possibility to swivel up to 160°
- Continuous, tool-less tilt adjustment + adjustable friction adjustment
- Tightening the screen with a «butterfly» screw more adapted to the weight of large screens
- Very nice finish (titanium anodized aluminum arm)
- Compatible with screens with curved and irregular back panel (screws and spacers included)

TECHNICAL SPECIFICATIONS

Product type	Screen mount
Function	Tilting and swiveling
Max weight	70 kg
VESA	L200/300/400/600 - H100/200/300/400
Tilting	+/- 15°
Material	aluminium
Finish	Texturized anodized aluminium Titanium epoxy painting + black epoxy painting steel
Cable Management	Yes
Integrated spirit level	No
Screw set mount / screen supplied	Yes
Screw set wall / mount supplied	Yes for full wall materials
Persons for mounting	1

EXO Range

Tilting and swivelling aluminium wall mount

TILTING AND
SWIVELLING



M	L	XL	XXL				
15"-37" 38-94cm	30"-55" 76-140cm	40"-75" 102-190cm	40"-100" 102-254cm				
15"	30"	37"	40"	55"	75"	90"	100"
EXO 200TW1	048120						
EXO 200TW2	048220						
EXO 200TW3	048320						
	EXO 400TW1		048140				
	EXO 400TW2		048240				
	EXO 400TW3		048340				
	EXO 400TW3 blanc		048341				
				EXO 600TW2	048260		
				EXO 600TW3	048360		
						EXO XXLTW3	048390

ERARD®

ESSENTIAL ACCESSORIES
FOR AUDIO VIDEO COMPONENTS

E-Mail: export@erard.fr / www.erard.com / Tel.: +33 (0)4 72 46 16 26 / Fax: +33 (0)4 72 46 16 22

VAT N° : FR 81 403 591 415

Z.I. de Chavanoz / 4 route de la Plaine / 38230 CHAVANOZ / FRANCE

