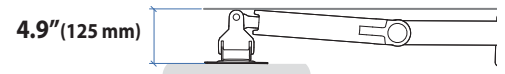
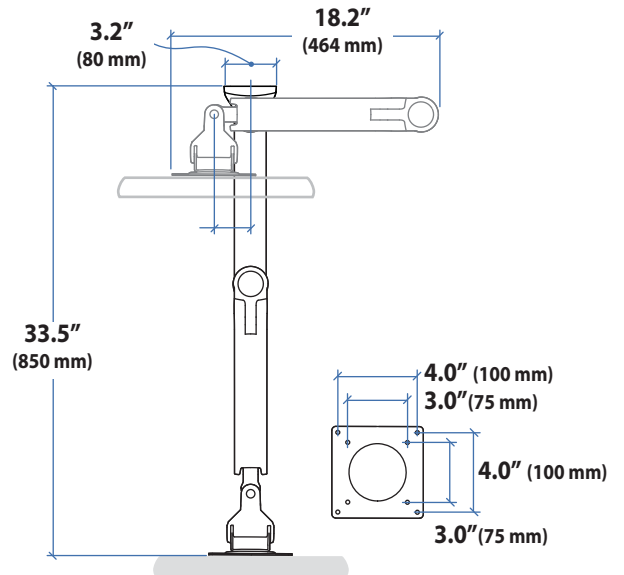
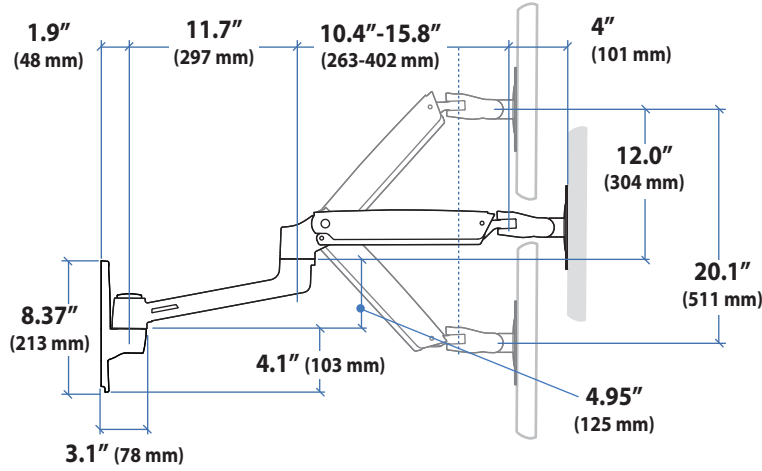


Ergotron® LX

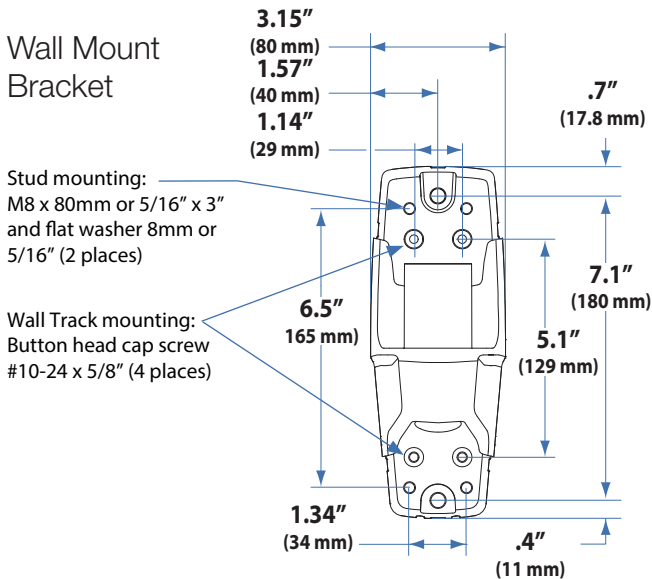
HD Sit-Stand Wall Mount LCD Arm

Dimensional &
Range of Motion
Illustrations

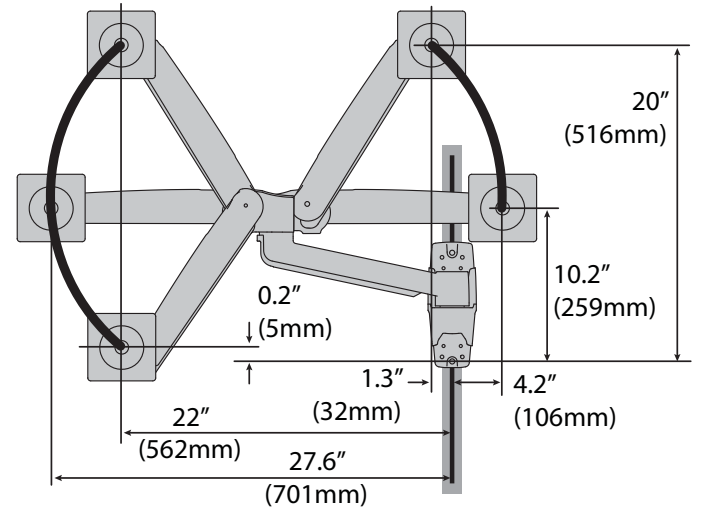
Dimensions



Wall Mount Bracket



Front view with arm pushed back against the wall.



© 2013 Ergotron, Inc. rev. 11/14/2013 DIM-LXHDStWall Content is subject to change without notification

Americas Sales and Corporate Headquarters

St. Paul, MN USA
(800) 888-8458
+1-651-681-7600
www.ergotron.com
sales@ergotron.com

EMEA Sales

Amersfoort, The Netherlands
+31 33 45 45 600
www.ergotron.com
info.eu@ergotron.com

APAC Sale

Tokyo, Japan
www.ergotron.com
apaccustomerservice@ergotron.com

Worldwide OEM Sales

www.ergotron.com
info.oem@ergotron.com

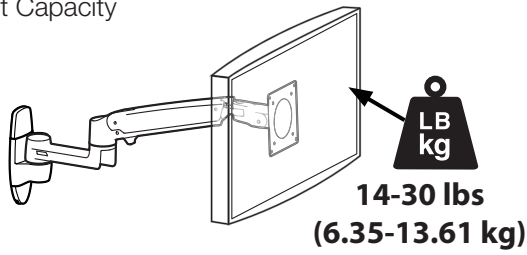


Ergotron® LX

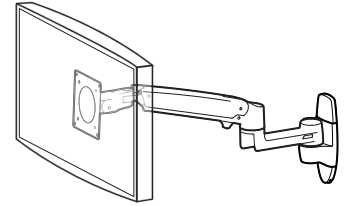
HD Sit-Stand Wall Mount LCD Arm

Dimensional &
Range of Motion
Illustrations

Weight Capacity

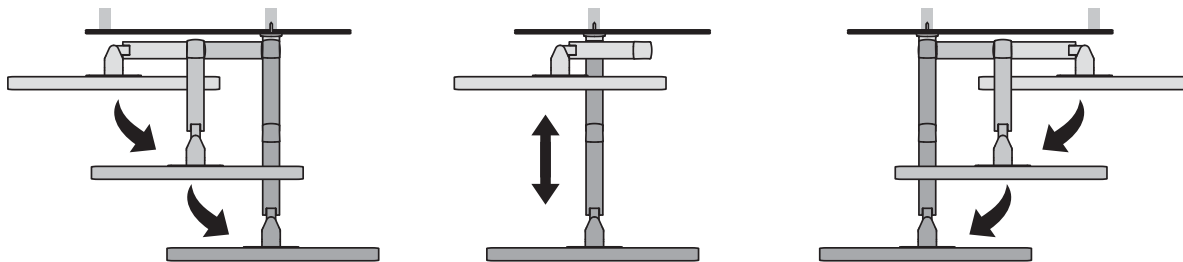
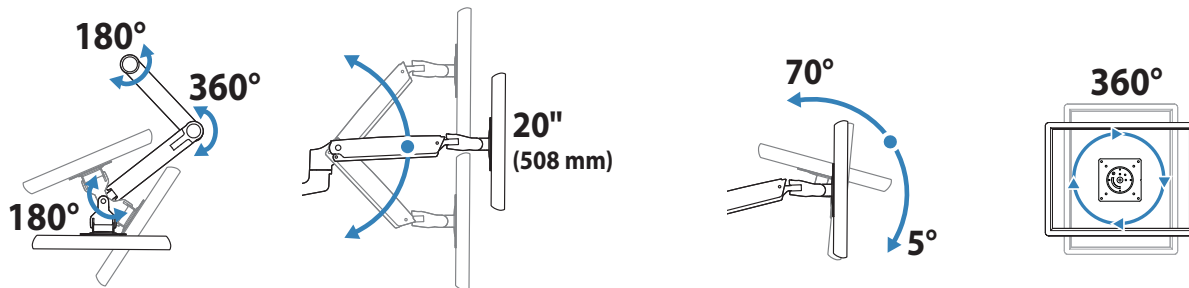


**Maximum Screen
Size = 46"
Limited to 30 lbs
maximum**



Monitor depth greater than 2.5" (64 mm) may diminish capacity.
Call Ergotron for more information.

Range of Motion



© 2013 Ergotron, Inc. rev. 11/14/2013 DIM-LXHDStWall Content is subject to change without notification

Americas Sales and Corporate Headquarters

St. Paul, MN USA
(800) 888-8458
+1-651-681-7600
www.ergotron.com
sales@ergotron.com

EMEA Sales

Amersfoort, The Netherlands
+31 33 45 45 600
www.ergotron.com
info.eu@ergotron.com

APAC Sale

Tokyo, Japan
www.ergotron.com
apaccustomerservice@ergotron.com

Worldwide OEM Sales

www.ergotron.com
info.oem@ergotron.com

