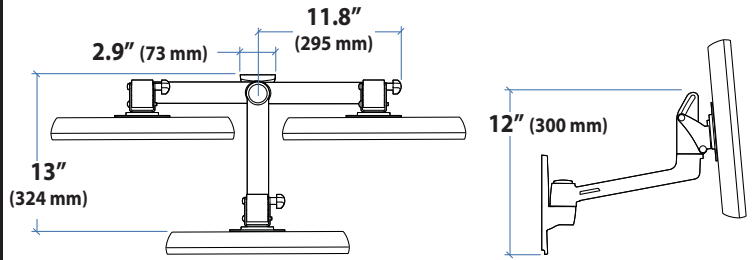
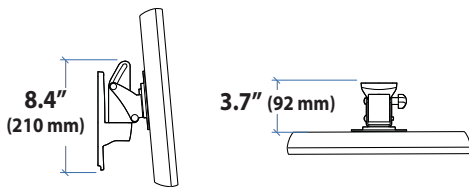
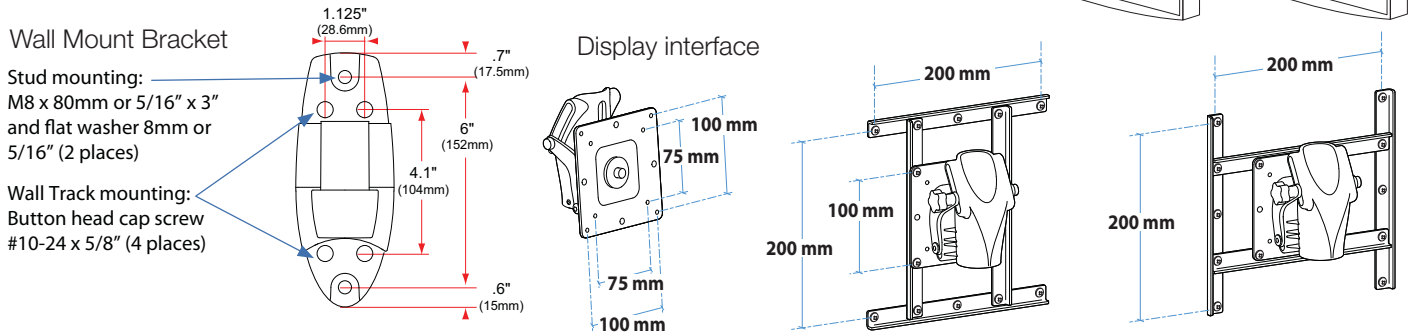


# Ergotron® LX

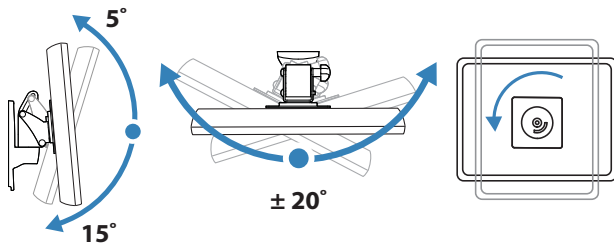
## HD Wall Mount Pivot and Swing Arm

### Dimensional & Range of Motion Illustrations

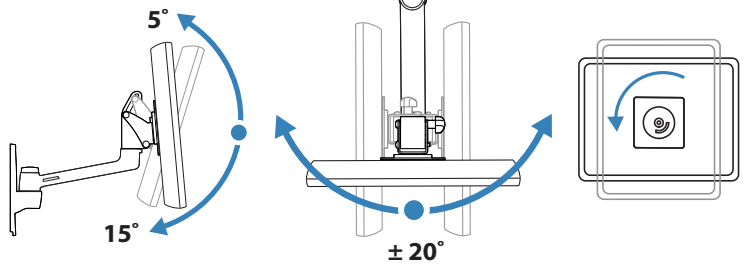
#### Dimensions



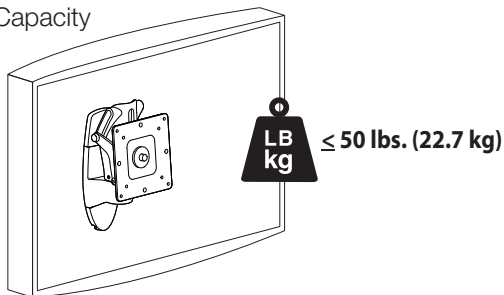
#### Range of Motion



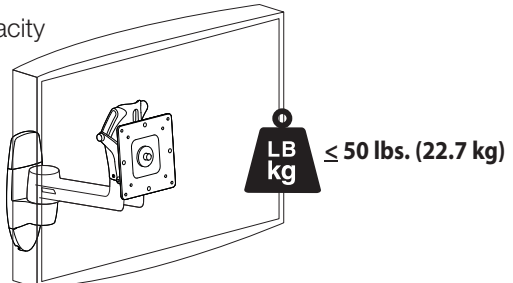
#### Range of Motion



#### Weight Capacity



#### Weight Capacity



© 2011 Ergotron, Inc. rev. 04/15/2011 DIM-066 Content is subject to change without notification

#### Americas Sales and Corporate Headquarters

St. Paul, MN USA  
(800) 888-8458  
+1-651-681-7600  
www.ergotron.com  
sales@ergotron.com

#### EMEA Sales

Amersfoort, The Netherlands  
+31 33 45 45 600  
www.ergotron.com  
info.eu@ergotron.com

#### APAC Sale

Tokyo, Japan  
www.ergotron.com  
apaccustomerservice@ergotron.com

#### Worldwide OEM Sales

www.ergotron.com  
info.oem@ergotron.com

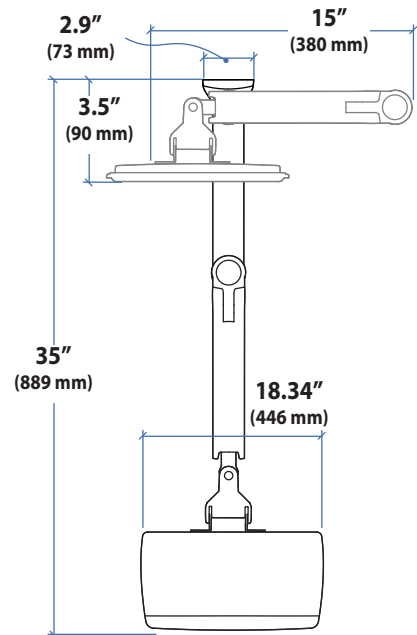
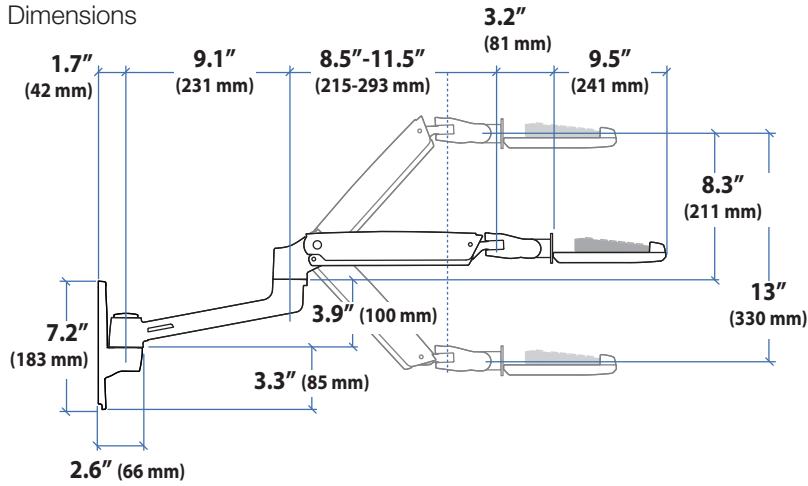


# Ergotron® LX

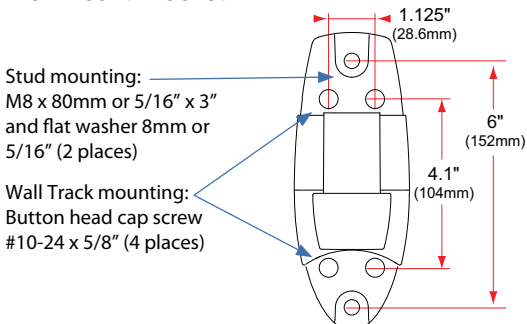
## Wall Mount Keyboard Arm

### Dimensional & Range of Motion Illustrations

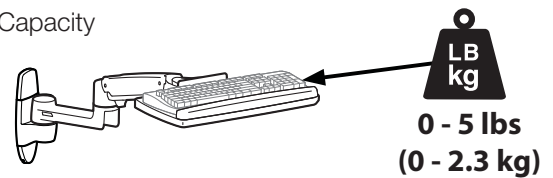
#### Dimensions



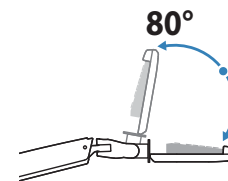
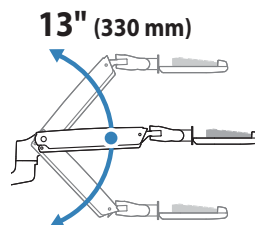
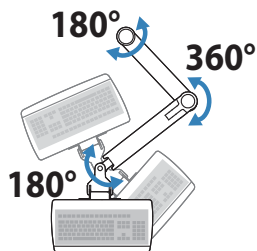
#### Wall Mount Bracket



#### Weight Capacity



#### Range of Motion



© 2010 Ergotron, Inc. rev. 02/26/2010 DIM-068 Content is subject to change without notification

#### Americas Sales and Corporate Headquarters

St. Paul, MN USA  
(800) 888-8458  
+1-651-681-7600  
www.ergotron.com  
sales@ergotron.com

#### EMEA Sales

Amersfoort, The Netherlands  
+31 33 45 45 600  
www.ergotron.com  
info.eu@ergotron.com

#### APAC Sale

Tokyo, Japan  
www.ergotron.com  
apaccustomerservice@ergotron.com

#### Worldwide OEM Sales

www.ergotron.com  
info.oem@ergotron.com

