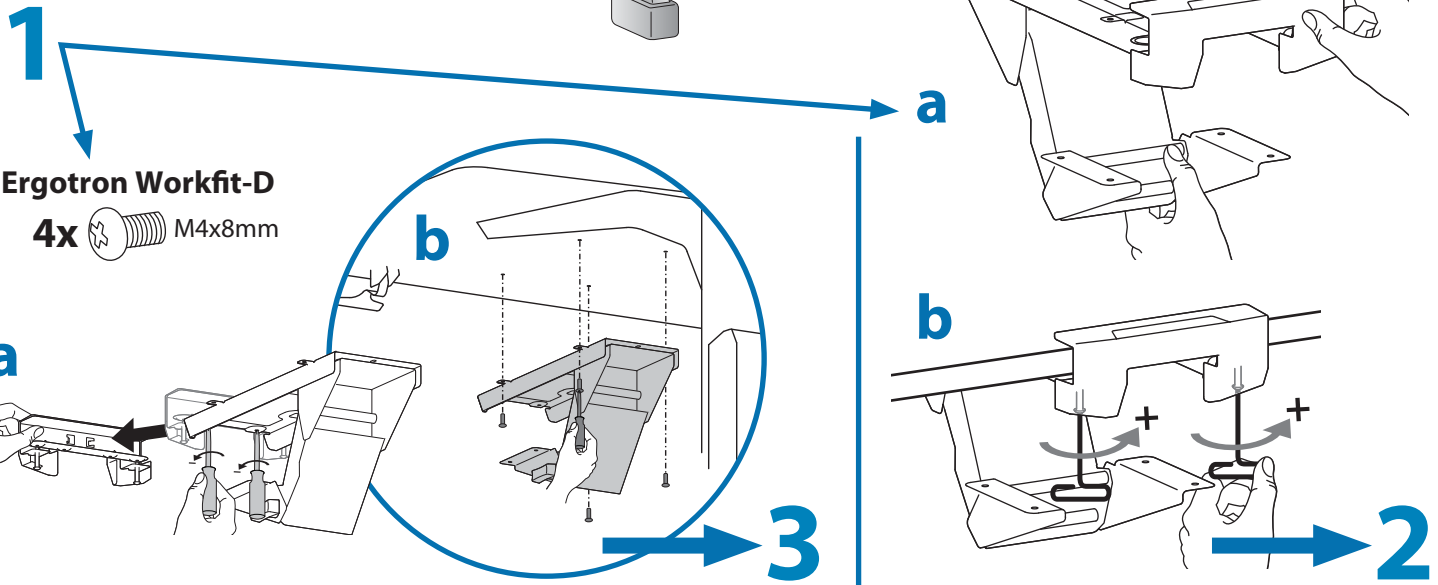
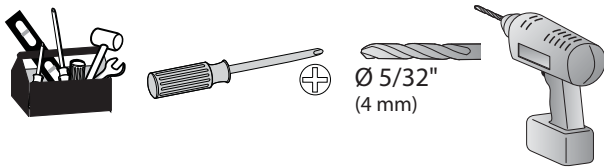
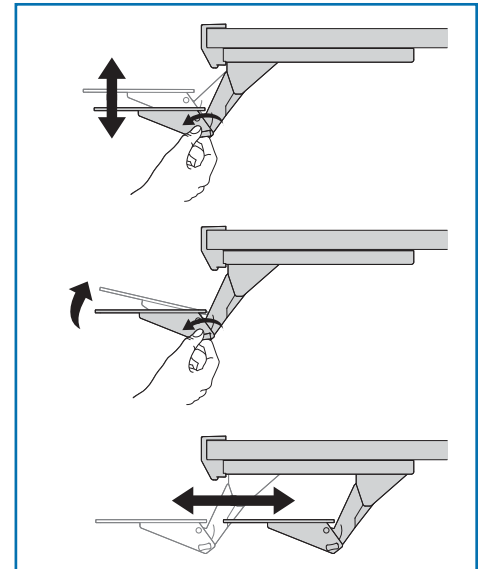
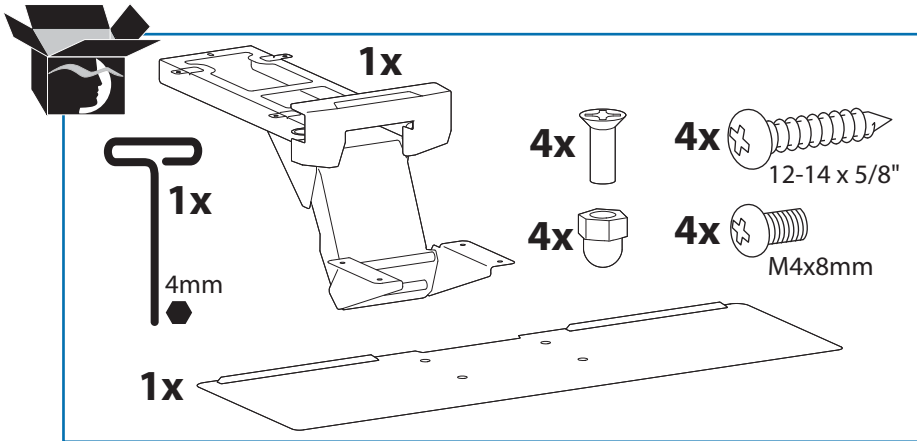
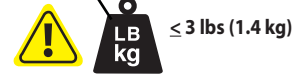
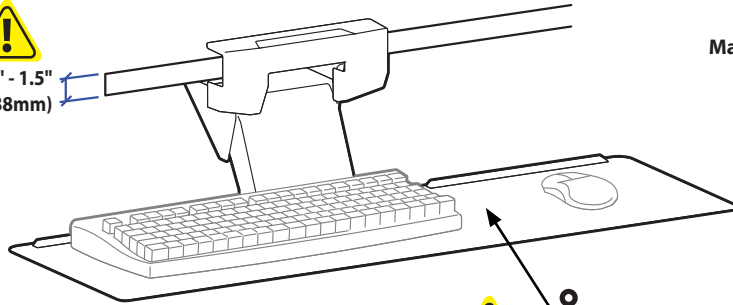


For service and warranty visit www.ergotron.com
Si desea información de servicio y garantía, visite www.ergotron.com
Pour toute question concernant la garantie ou le service client, consultez www.ergotron.com
Weitere Informationen zu Service und Gewährleistung erhalten Sie unter www.ergotron.com.
Ga voor service en garantie naar www.ergotron.com
Per assistenza e la garanzia visitare www.ergotron.com
Gå in på www.ergotron.com för service och garanti
サービスおよび保証について詳しくは、www.ergotron.com をご覧ください。
有关服务和保修, 请访问 www.ergotron.com



Ergotron Workfit-D

4x M4x8mm



© 2011 Ergotron, Inc.
All rights reserved.

While Ergotron, Inc. makes every effort to provide accurate and complete information on the installation and use of its products, it will not be held liable for any editorial errors or omissions (including those made in the process of translation from English to another language), or for incidental, special or consequential damages of any nature resulting from furnishing this instruction and performance of equipment in connection with this instruction. Ergotron, Inc. reserves the right to make changes in the product design and/or product documentation without notification to its users. For the most current product information, or to know if this document is available in languages other than those herein, please contact Ergotron. No part of this publication may be reproduced, stored in a retrieval system, or transmitted in any form or by any means, electronic, mechanical, photocopying, recording or otherwise without the prior written consent of Ergotron, Inc., 1181 Trapp Road, Eagan, Minnesota, 55121, USA. Patents Pending and Patented U.S. & Foreign. Ergotron is a registered trademark of Ergotron, Inc.

Americas Sales and Corporate Headquarters

St. Paul, MN USA
(800) 888-8458
+1-651-681-7600
www.ergotron.com
sales@ergotron.com

EMEA Sales

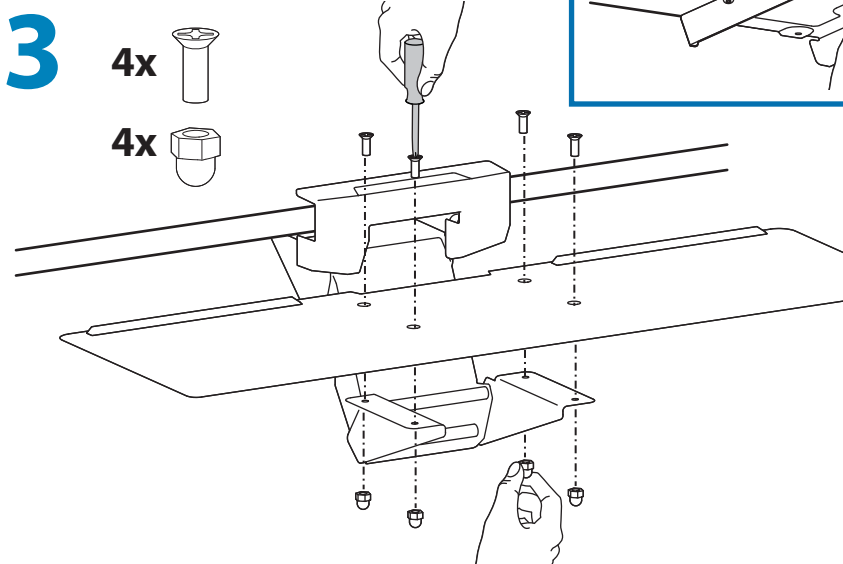
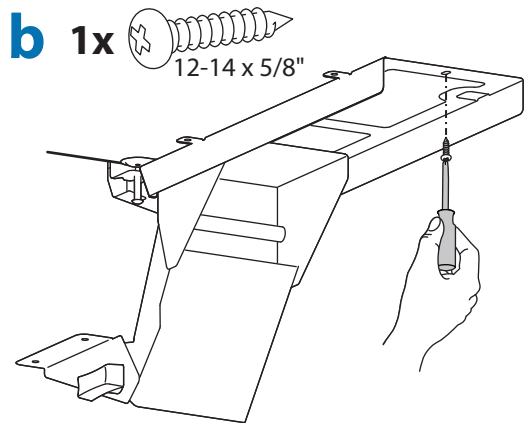
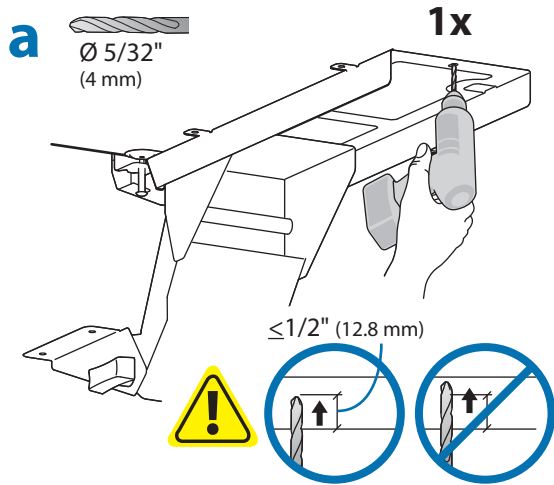
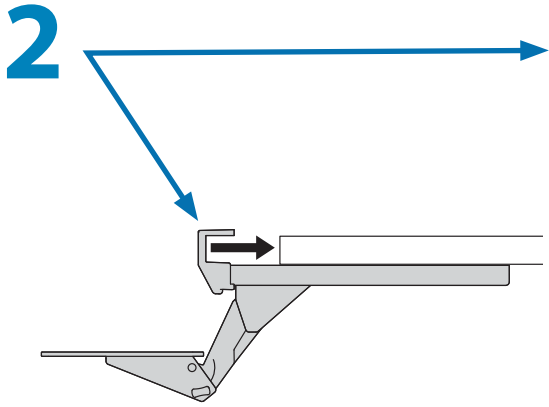
Amersfoort, The Netherlands
+31 33 45 45 600
www.ergotron.com
info.eu@ergotron.com

APAC Sales

Tokyo, Japan
www.ergotron.com
apaccustomerservice@ergotron.com

Worldwide OEM Sales

www.ergotron.com
info.oem@ergotron.com



Follow these instructions if you want to remove the clamp and attach with 4 screws.
 Siga estas instrucciones si desea quitar la abrazadera y fijarlo con 4 tornillos.
 Suivez ces instructions si vous souhaitez retirer la pince et assurer la fixation avec quatre vis.
 Die Anweisungen befolgen, um die Befestigungsklemme wahlweise durch 4 Schrauben zu ersetzen.
 Volg deze instructies als u de klem wilt verwijderen en de bevestiging met 4 schroeven wilt realiseren.
 Seguire queste istruzioni se si vuole rimuovere il morsetto ed eseguire il fissaggio con quattro viti.
 Följ de här anvisningarna för att ta bort klämman och fästa med 4 skruvar.
 クランプを取り外し、4個のネジで取り付ける場合は、以下の説明に従います。
 如果想要取下夹子，改用 4 只螺丝安装，请遵照这些说明操作。

