

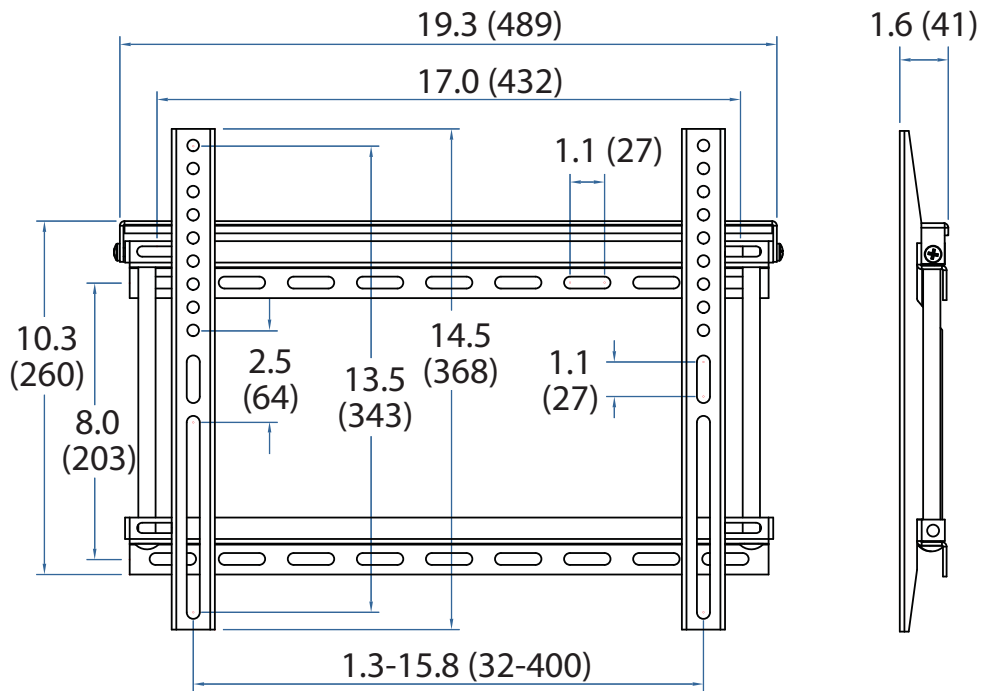
Ergotron® Wall Mounts Series

Dimensional Illustrations

Neo-Flex Tilting Wall Mount VHD



60-613



© 2011 Ergotron, Inc. rev. 03/17/2011 DIM-NF TWM-V Content is subject to change without notification

Americas Sales and Corporate Headquarters

St. Paul, MN USA
 (800) 888-8458
 +1-651-681-7600
 www.ergotron.com
 sales@ergotron.com

EMEA Sales

Amersfoort, The Netherlands
 +31 33 45 45 600
 www.ergotron.com
 info.eu@ergotron.com

APAC Sales

Singapore
 www.ergotron.com
 info.apac@ergotron.com

Worldwide OEM Sales

www.ergotron.com
 info.oem@ergotron.com

* Width refers to monitor's physical outside dimension – not screen size.

