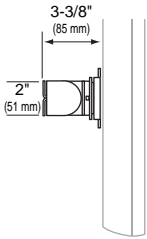


Ergotron® 100 Series

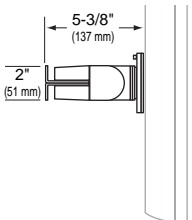
Dimensional Illustrations

for low profile systems

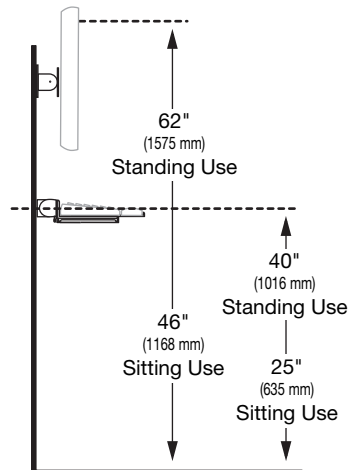
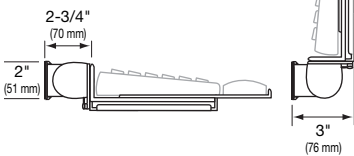
Single Pivot with P/L



Double Pivot with P/L

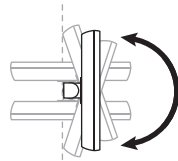


Keyboard/Laptop Pivot

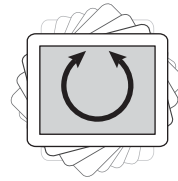


**100 Series
(Fixed Height)**

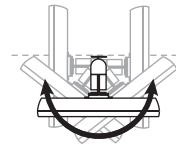
Note: Actual range of motion depends on mounting surface and size of monitor.



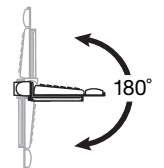
LCD tilts up to 180° forward/back



LCD rotates up to 360° portrait/landscape

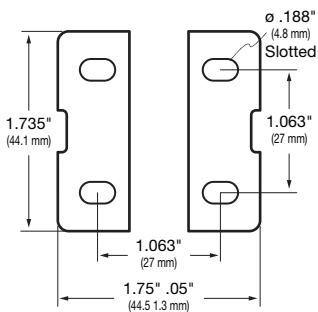


LCD pans up to 180° right/left

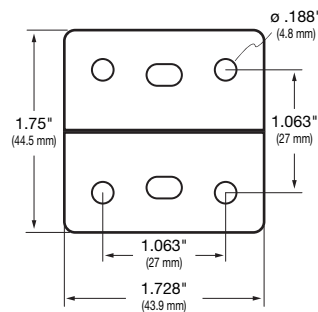


Keyboard tilts up to 180° forward/back

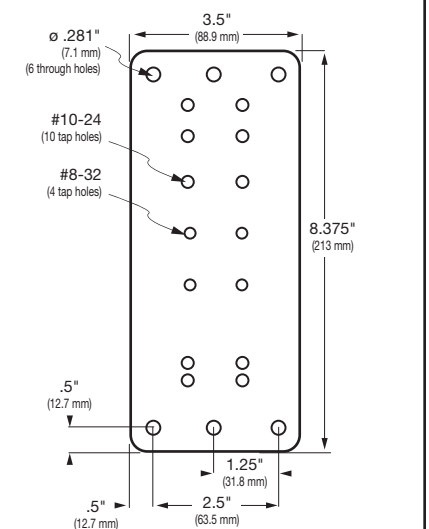
Single Pivot w/ P/L Interface



Double Pivot w/ P/L Interface



Wall Mount Plate Hole Pattern



© 2009 Ergotron, Inc. rev. 03/20/09 DIM-026 Content is subject to change without notification

Americas Sales and Corporate Headquarters

St. Paul, MN USA
(800) 888-8458
+1-651-681-7600
www.ergotron.com
sales@ergotron.com

EMEA Sales

Amersfoort, The Netherlands
+31 33 45 45 600
www.ergotron.com
info.eu@ergotron.com

APAC Sales

Tokyo, Japan
www.ergotron.com
info.apac@ergotron.com

Worldwide OEM Sales

www.ergotron.com
info.oem@ergotron.com

