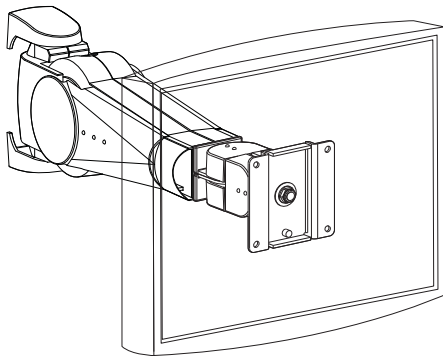


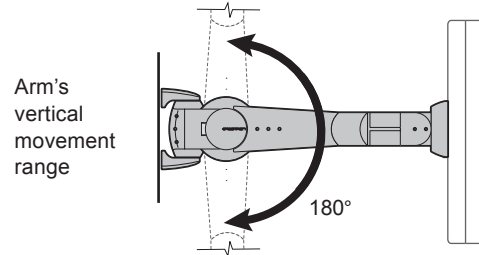
400 Series Wall Mount LCD Arm



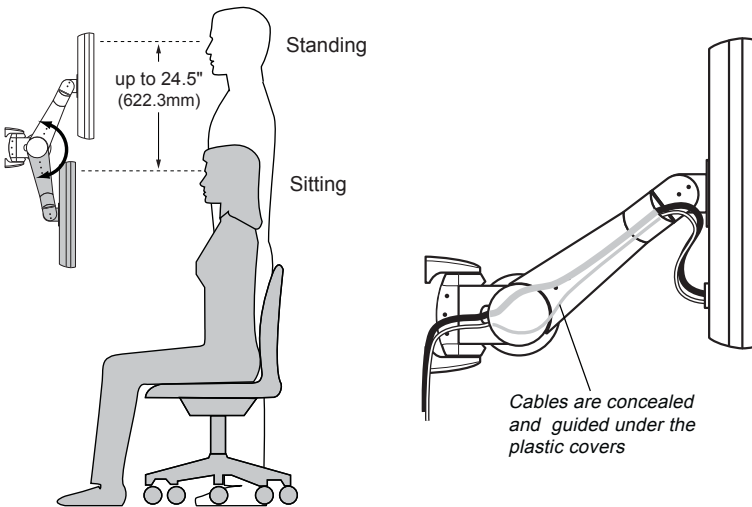
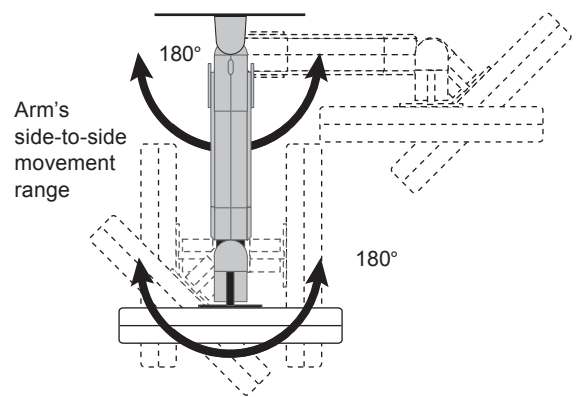
Weight Capacity

LB 5 - 23 lbs
kg (2.27-10.43 kg)

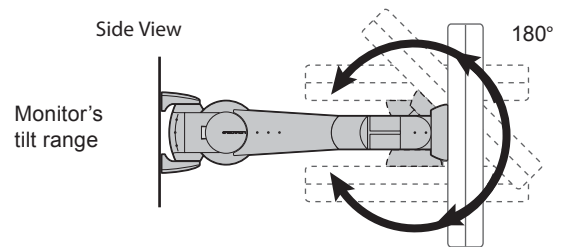
Range of Motion Side View



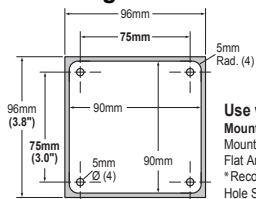
Top View



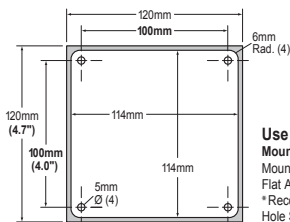
Side View



Mounting Plate interface dimension:



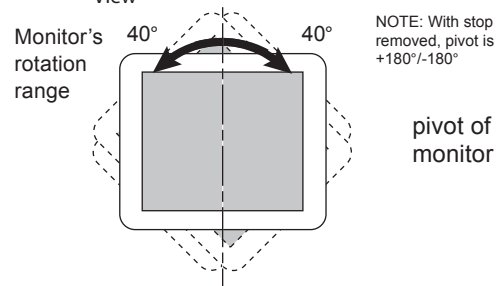
Use with flat panel monitors with < 17" screen :
Mounting Hole Pattern 75mm (2.953" sq.)
Mounting Plate Size - 90mm (3.543" sq.)
Flat Area required on back of monitor - 96mm (3.780" sq.)
* Recommended Mounting Screws - 4mm x 10mm
Hole Size in Arm Mounting Pad - 5mm



Use with flat panel monitors with ≥ 17" screen:
Mounting Hole Pattern 100mm (3.937" sq.)
Mounting Plate Size - 114mm (4.488" sq.)
Flat Area required on back of monitor - 120mm (4.724" sq.)
* Recommended Mounting Screws - 4mm x 10mm
Hole Size in Arm Mounting Pad - 5mm

* = Verify with monitor manufacturer on specific screw recommendations.

Front View



Americas Sales and Corporate Headquarters

St. Paul, MN USA
(800) 888-8458
+1-651-681-7600
www.ergotron.com
sales@ergotron.com

EMEA Sales

Amersfoort, The Netherlands
+31 33 45 45 600
www.ergotron.com
info.eu@ergotron.com

APAC Sale

Tokyo, Japan
www.ergotron.com
apaccustomerservice@ergotron.com

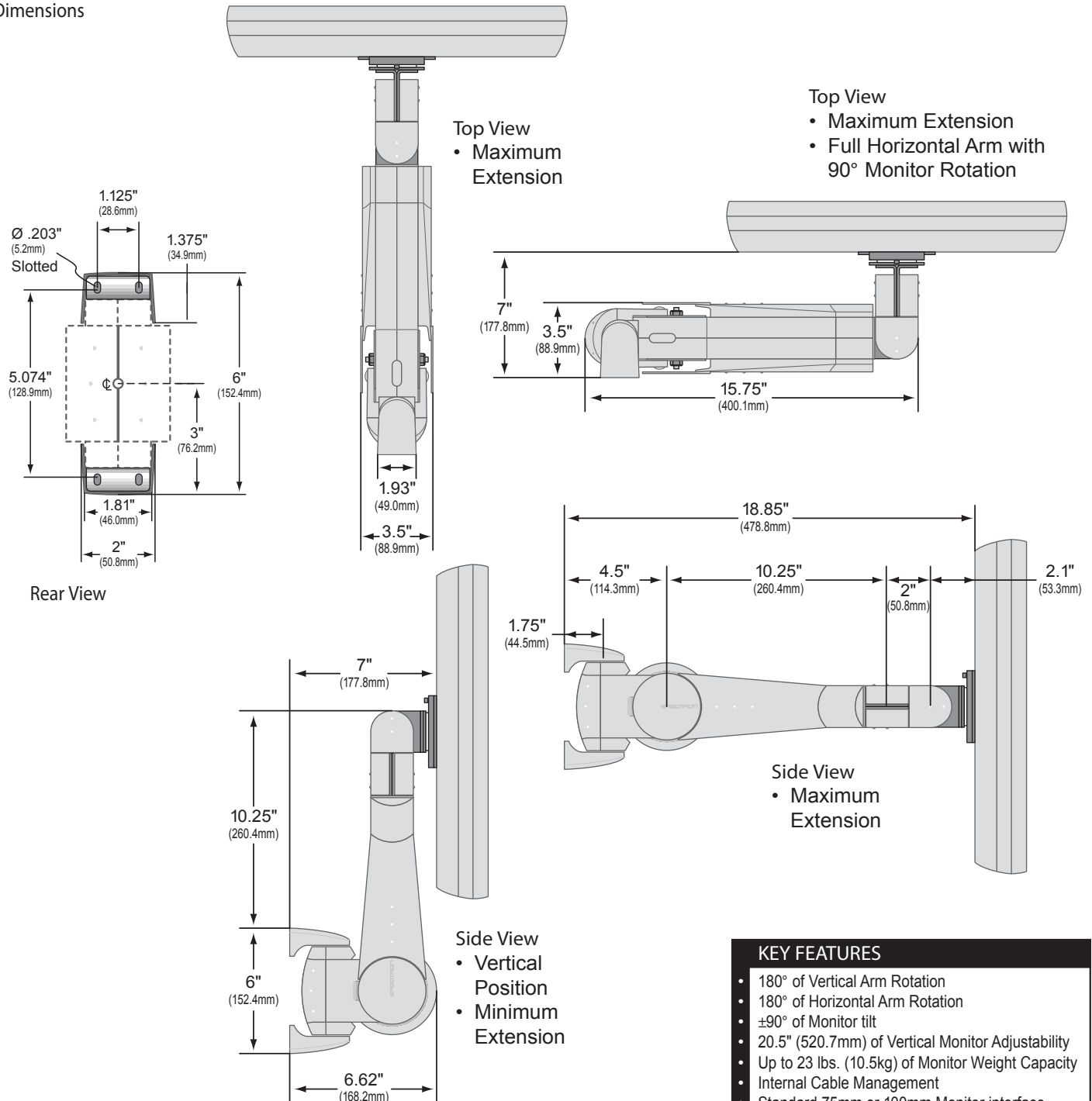
Worldwide OEM Sales

www.ergotron.com
info.oem@ergotron.com



400 Series Wall Mount LCD Arm

Dimensions



KEY FEATURES

- 180° of Vertical Arm Rotation
- 180° of Horizontal Arm Rotation
- ±90° of Monitor tilt
- 20.5" (520.7mm) of Vertical Monitor Adjustability
- Up to 23 lbs. (10.5kg) of Monitor Weight Capacity
- Internal Cable Management
- Standard 75mm or 100mm Monitor interface
- Custom Flat Panel interfaces available

© 2013 Ergotron, Inc. rev. 03/17/2015 DIM-400Series Content is subject to change without notification

Americas Sales and Corporate Headquarters

St. Paul, MN USA
 (800) 888-8458
 +1-651-681-7600
 www.ergotron.com
 sales@ergotron.com

EMEA Sales

Amersfoort, The Netherlands
 +31 33 45 45 600
 www.ergotron.com
 info.eu@ergotron.com

APAC Sale

Tokyo, Japan
 www.ergotron.com
 apaccustomerservice@ergotron.com

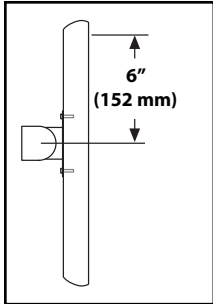
Worldwide OEM Sales

www.ergotron.com
 info.oem@ergotron.com

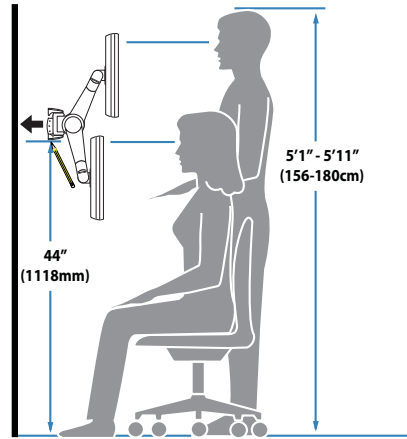


Mounting Height for Ergonomic Workstation

This mounting height is a recommendation for an ergonomic workstation that accommodates user heights of 5'1" - 5'11". If user heights are different than this, you should change mounting height to accommodate user heights. (Change mounting height one inch for every one inch difference in user heights).



Mounting height assumes there is a 6" (152 mm) distance between the center of your monitor mounting holes and the top of the screen. If your distance is smaller, you should increase mounting height accordingly, if your distance is larger, you should decrease your mounting height accordingly.



© 2013 Ergotron, Inc. rev. 03/17/2015 DIM-400Series Content is subject to change without notification

Americas Sales and Corporate Headquarters

St. Paul, MN USA
(800) 888-8458
+1-651-681-7600
www.ergotron.com
sales@ergotron.com

EMEA Sales

Amersfoort, The Netherlands
+31 33 45 45 600
www.ergotron.com
info.eu@ergotron.com

APAC Sale

Tokyo, Japan
www.ergotron.com
apaccustomerservice@ergotron.com

Worldwide OEM Sales

www.ergotron.com
info.oem@ergotron.com

