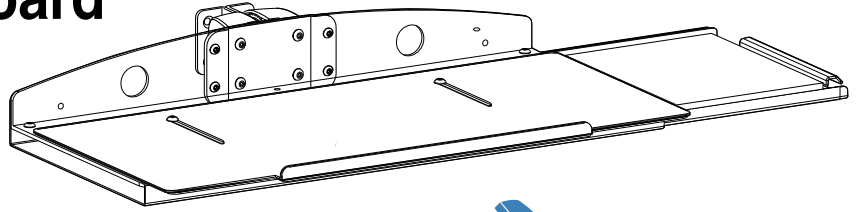
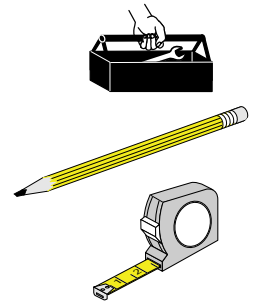


100 Series Keyboard Tray Pivot



USA 1-800-888-8458
Europe +31 20 312.29.39

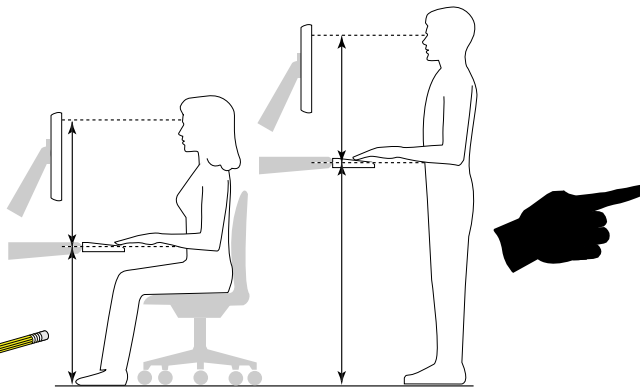
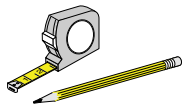
	A	B
1		
2	3/32"	4x 8-32 x 5/16"



1



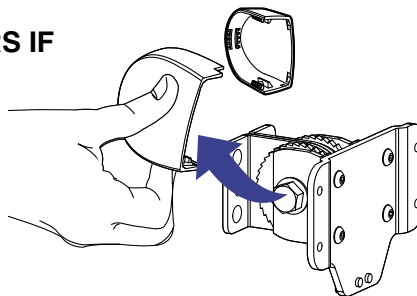
Ergonomics
Ergonomia
Ergonomie
Ergonomi



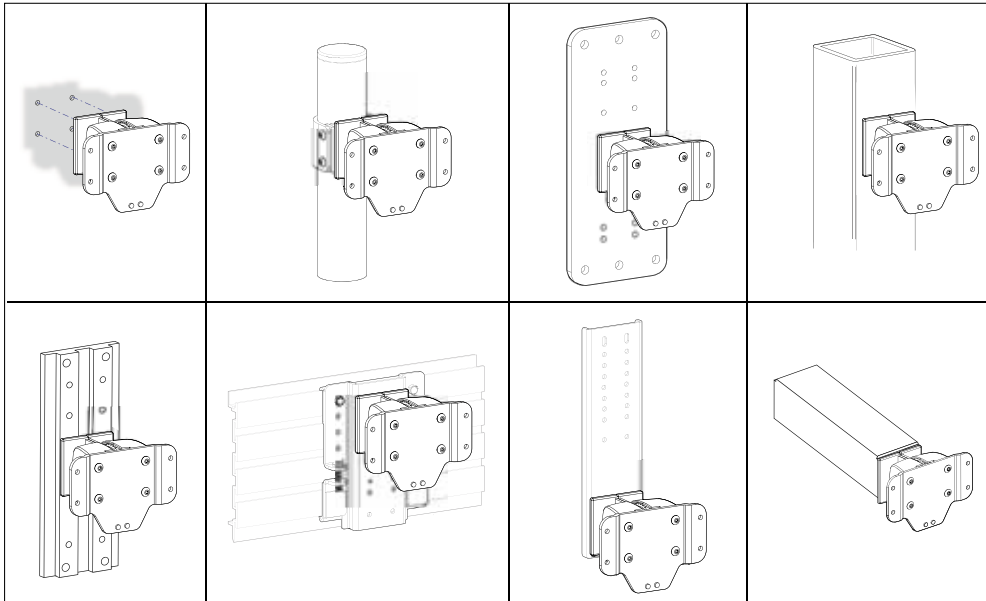
888-99-014

2

REMOVE PIVOT COVERS IF ALREADY ATTACHED.

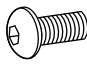


3

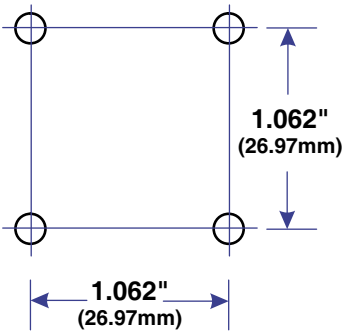
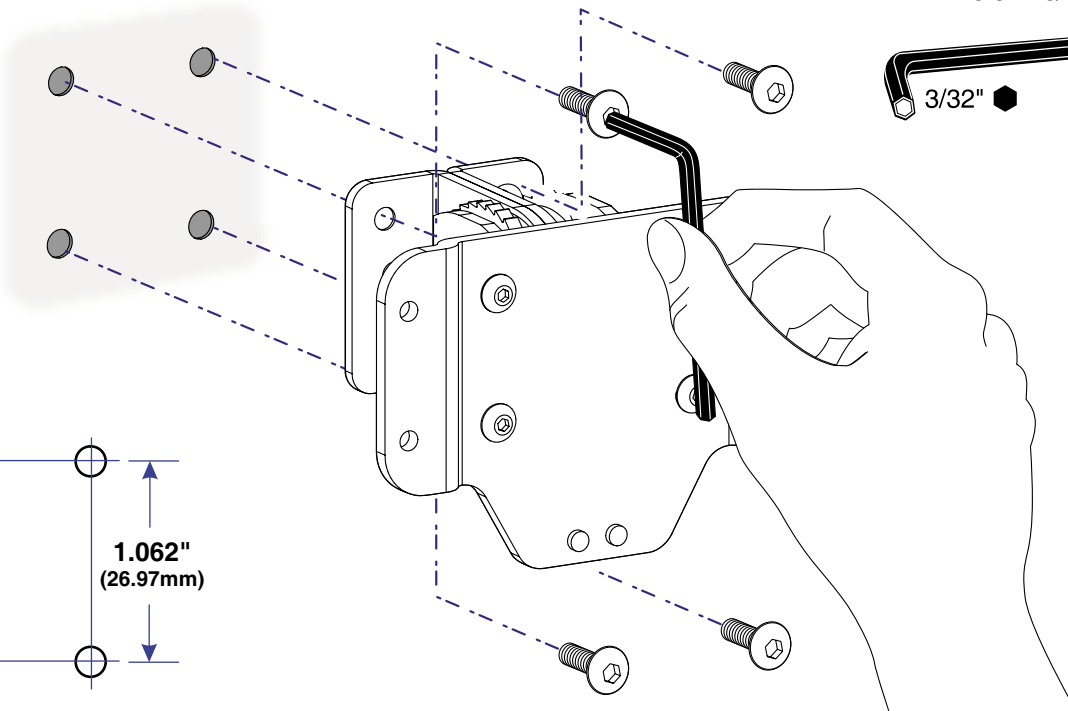


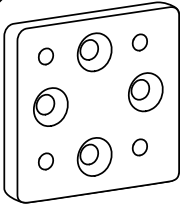
Because vertical surfaces vary widely and the ultimate mounting method is out of Ergotron's control, it is imperative that you consult with appropriate engineering, architectural or construction personnel to ensure that the Arm is mounted properly to handle applied loads.

Aangezien verticale oppervlaktes zeer verschillend kunnen zijn en Ergotron geen controle heeft over de uiteindelijke montage van onze producten, dient u contact op te nemen met bevoegd technisch personeel of uw installateur om te garanderen dat de arm zorgvuldig wordt gemonteerd en het geheel de last kan dragen.

4x  8-32 x 5/16"

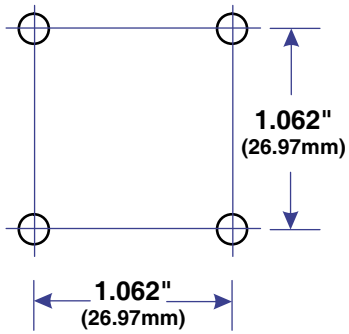
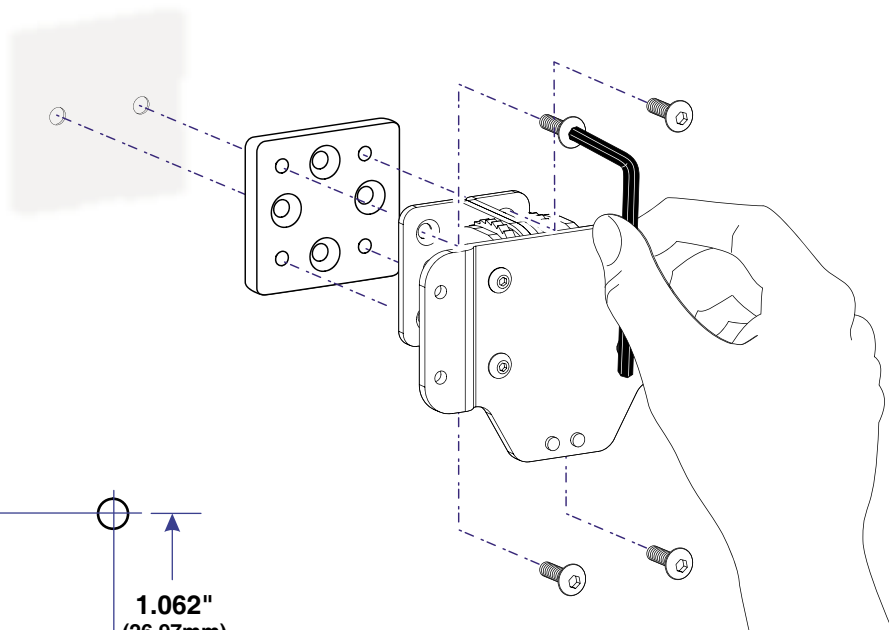
 3/32" 



3

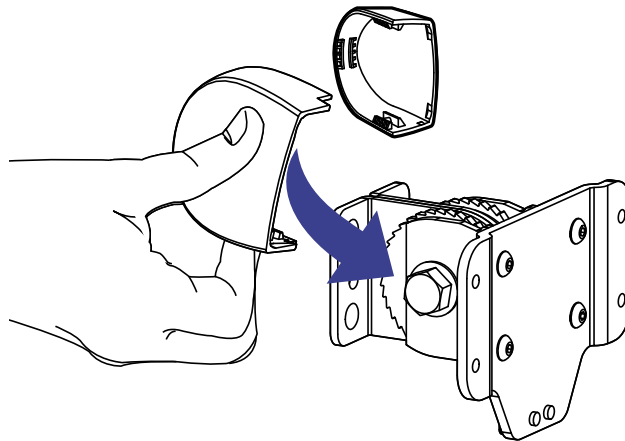
INSTALLATIONS WHICH INCLUDE MOUNTING PLATE

To attach the Keyboard Pivot with the Mounting Plate, follow the instructions provided with the mounting application.

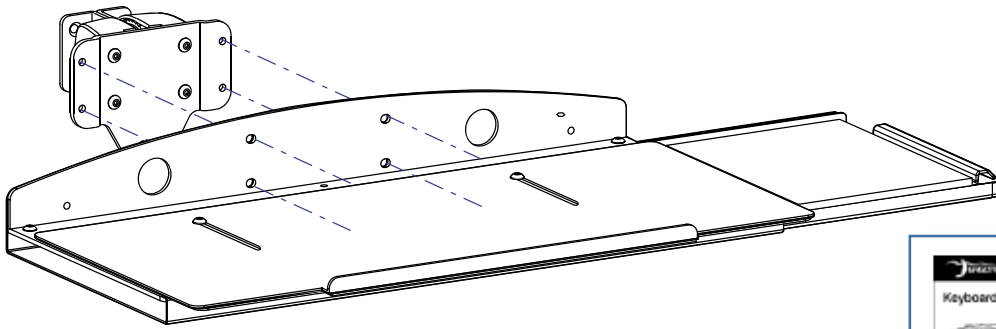


Because vertical surfaces vary widely and the ultimate mounting method is out of Ergotron's control, it is imperative that you consult with appropriate engineering, architectural or construction personnel to ensure that the Arm is mounted properly to handle applied loads.

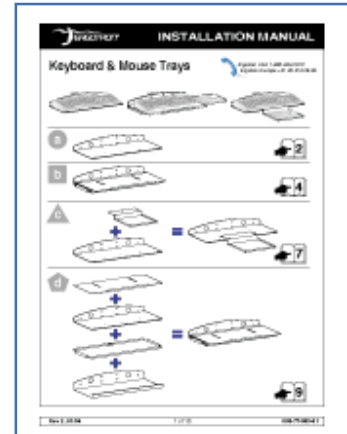
Aangezien verticale oppervlaktes zeer verschillend kunnen zijn en Ergotron geen controle heeft over de uiteindelijke montage van onze producten, dient u contact op te nemen met bevoegd technisch personeel of uw installateur om te garanderen dat de arm zorgvuldig wordt gemonteerd en het geheel de last kan dragen.

3

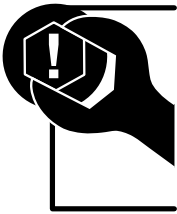
4



888-77-009



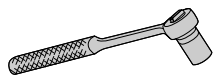
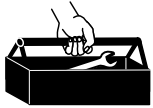
5



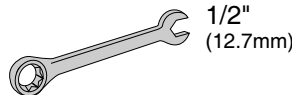
Adjustment
 Justering
 Justierung
 Ajustement
 Bijstelling
 Ajuste
 Regolazione

OVERVIEW

Ergotron's 100 Series Keyboard Tray Pivot is factory-set to provide positive pivot control and a smooth moving force throughout the entire pivot range of motion. To customize your installation, you will evaluate the Pivot operation by moving the keyboard tray through its full range of movement. If excessive force is required to lift the keyboard tray or if the keyboard tray does not stay in the desired position, pivot adjustment is required. Adjust for a controlled motion of the keyboard tray over the entire range of travel.

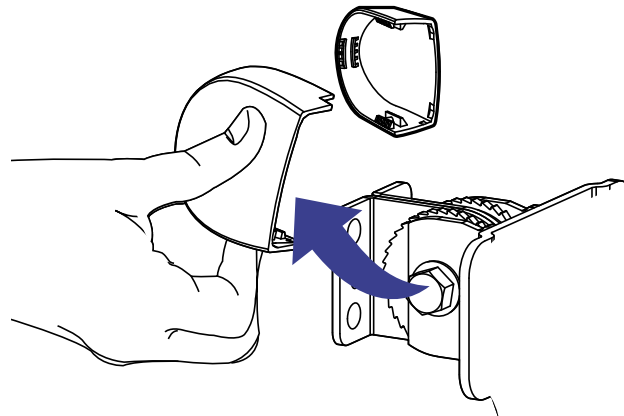
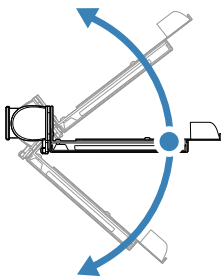


1/2"
 (12.7mm)

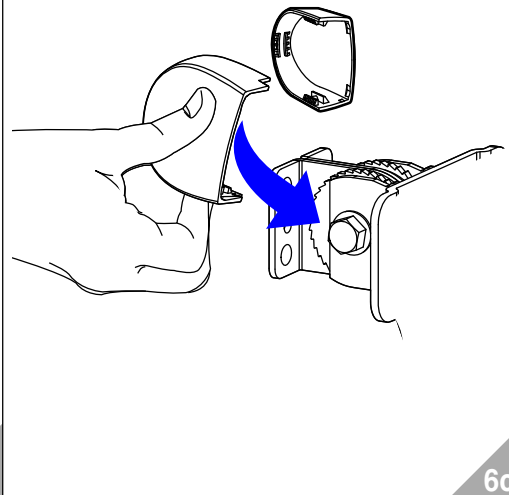
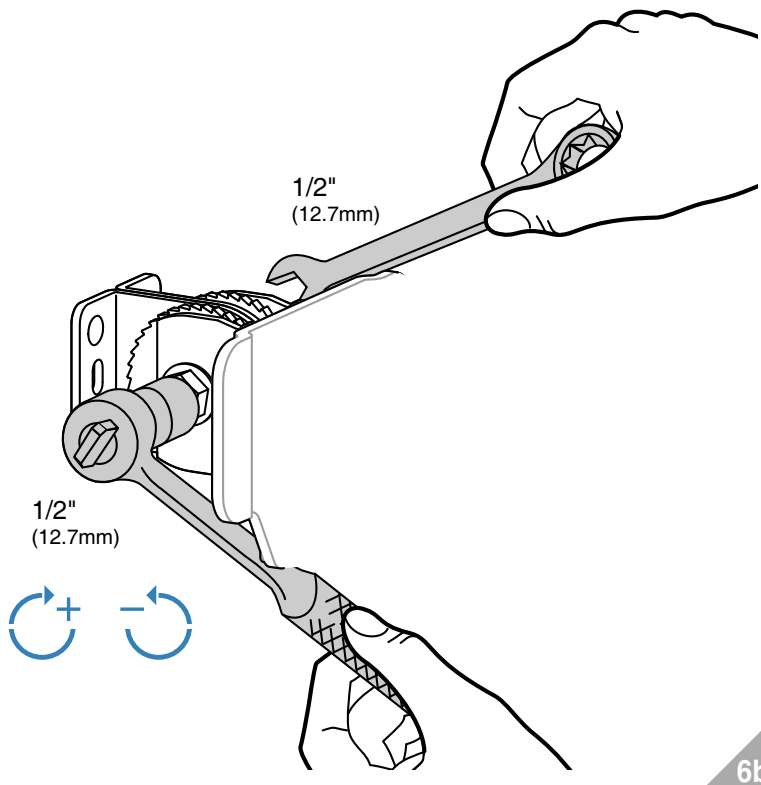


1/2"
 (12.7mm)

**Test Keyboard Tilt
 (up and down movement).
 Adjust as necessary.**



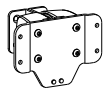
6a



? TROUBLE SHOOTING

Symptom	Probable Cause	Solution
Keyboard pivots up and down with difficulty or too easily	Improper Pivot tension	Adjust Pivot tension as shown above

*** Weight Capacity:**



5 - 15 lbs
(2 - 6.8 kgs)

Warranty

Ergotron warrants that its products will remain free of defects in material and workmanship for (5)-years.

Exclusive Remedy: If any Ergotron equipment is or becomes defective in material or workmanship during the warranty period, Purchaser must return the item to Ergotron with a written explanation of the defect. Ergotron will promptly repair or replace the item and ship it to Purchaser without charge to Purchaser. Performance of repair or replacement does not renew or extend the warranty period.

THIS REMEDY IS THE EXCLUSIVE REMEDY FOR BREACH OF WARRANTY AS TO THE EQUIPMENT, except in respect to personal injury. Purchaser shall give Ergotron immediate written notice of any personal injury resulting from use of Ergotron equipment.

Exclusions and Limitations: Ergotron disclaims liability for injuries or losses caused by or associated with installation or use of its equipment in any manner other than in strict conformance with the instruction sheets, technical bulletins or product literature, or by equipment that has been altered, damaged or misused.

Purchaser has not relied upon and Ergotron disclaims any and all warranties other than the expressed warranty stated above, subject to the exclusions and limitations provided herein. Ergotron disclaims all other warranties, expressed or implied, including but not limited to the warranties of merchantability and fitness for a particular purpose.

Ergotron further disclaims liability to purchaser and all others for all consequential, incidental and special damages caused by or in connection with the products, their use or misuse, and their performance or nonperformance.



© 2005 Ergotron, Inc. All rights reserved.

Patents Pending and Patented U.S. & Foreign. Ergotron is a registered trademark of Ergotron, Inc. Reproduction of this material in whole or part for any purpose other than that authorized by Ergotron, Inc. is prohibited.