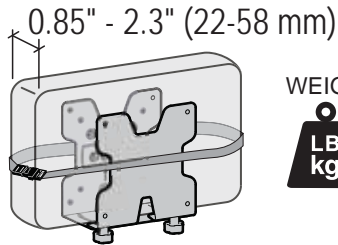


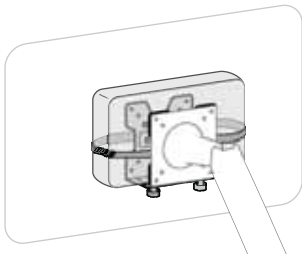
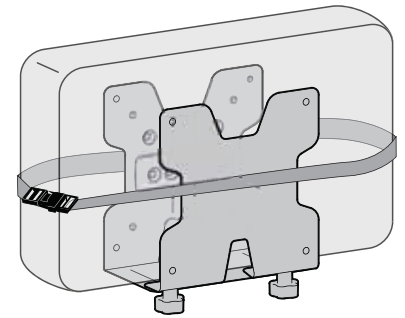
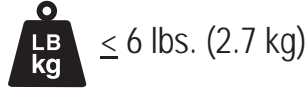
Ergotron®

Thin Client Mount

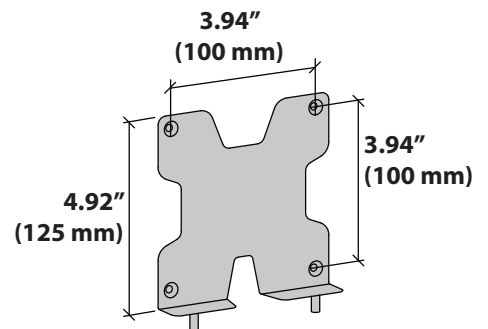
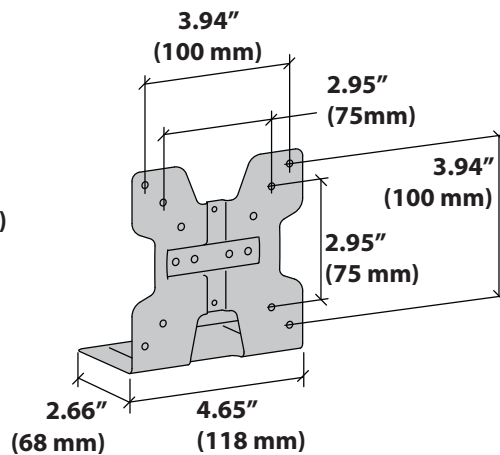
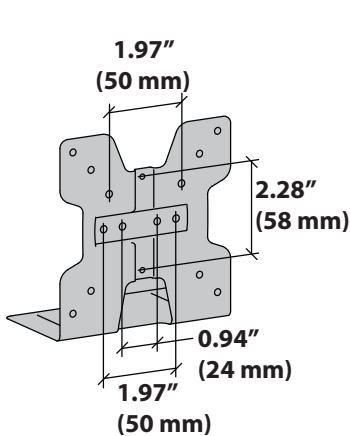
Dimensional Illustrations



WEIGHT CAPACITY:



This product adds an additional 2 lbs. (1 kg) to your mounting solution. When mounting between a monitor and VESA plate, the mounting solution's monitor weight capacity must be reduced by 2 lbs. (1 kg) when using standard monitors and thin clients which when combined are less than or equal to 2.5" (64 mm) thick. Additional reduction will be required if the combined monitors and thin client are greater than 2.5" (64 mm) thick.



© 2014 Ergotron, Inc. rev. 02/12/2014 DIM-ThinClientMount Content is subject to change without notification

Americas Sales and Corporate Headquarters

St. Paul, MN USA
(800) 888-8458
+1-651-681-7600
www.ergotron.com
sales@ergotron.com

EMEA Sales

Amersfoort, The Netherlands
+31 33 45 45 600
www.ergotron.com
info.eu@ergotron.com

APAC Sales

Tokyo, Japan
www.ergotron.com
apaccustomerservice@ergotron.com

Worldwide OEM Sales

www.ergotron.com
info.oem@ergotron.com

