

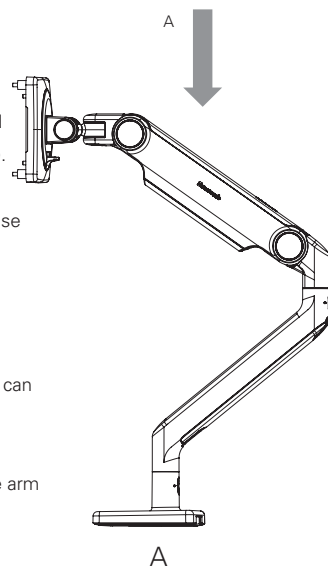
## STEP 7: ARM ADJUSTMENTS

### WEIGHT ADJUSTMENT

Your monitor should move up and down easily and easily stay in place once adjusted. If it is difficult to adjust or moves without assistance, it is not properly counterbalanced.

**Monitor should not exceed 15.5 lbs.**

A. Press the Upper Arm Link (A) downward until you see the adjustable Screw (S).

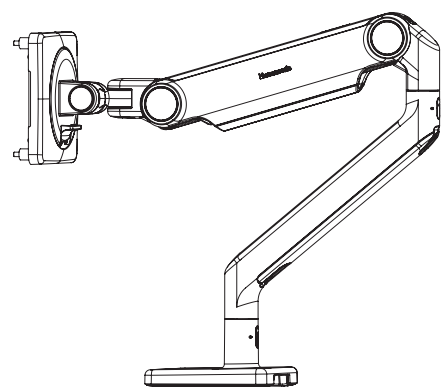


B. Adjust the screw with 4mm Key clockwise direction (towards +) to increase load tension and anticlockwise (towards -) to reduce load tension.

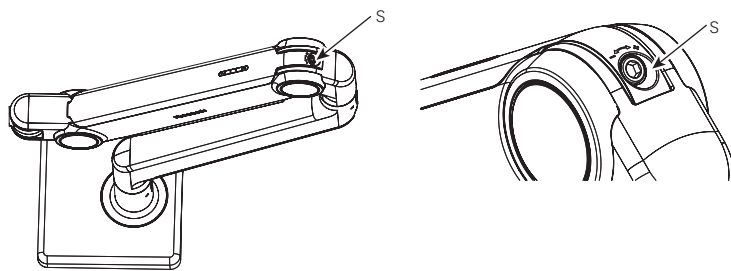
**NOTE:** Do not overtighten the screws as it can damage the screw head or threads.

**NOTE:** Remove hex key before moving the arm to avoid damage to the hinge area.

C. Move the monitor around to ensure that movement is smooth and the arm functions as desired. If required, repeat steps A and B (in order) to adjust the force as needed.



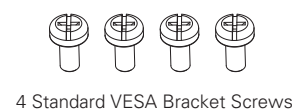
A



A

B

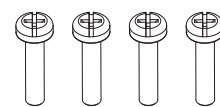
## M2.1 INSTALLATION HARDWARE



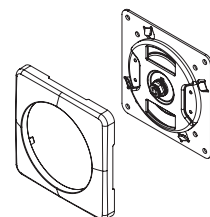
4 Standard VESA Bracket Screws



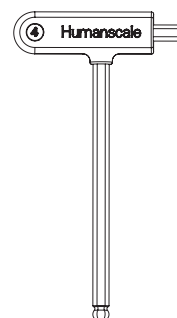
4 Plastic Spacers



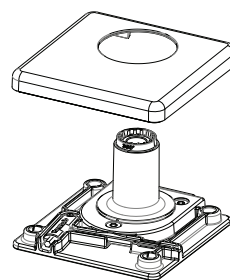
4 Extended VESA Bracket Screws



VESA BRACKET



4mm Hex Key

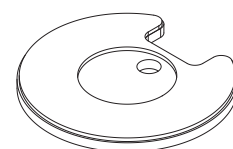


**NOTE:** 4mm Hex Key can be found under the plastic base cover.

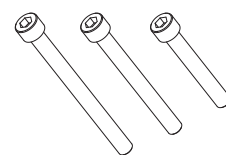
### Bolt-Through Mount



8mm Hex Key

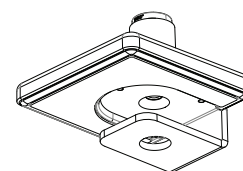


Bolt-Through Plate

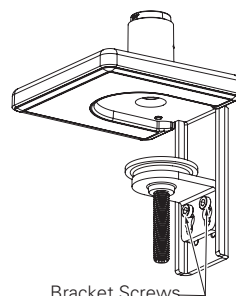


Bolt-Through Bolts

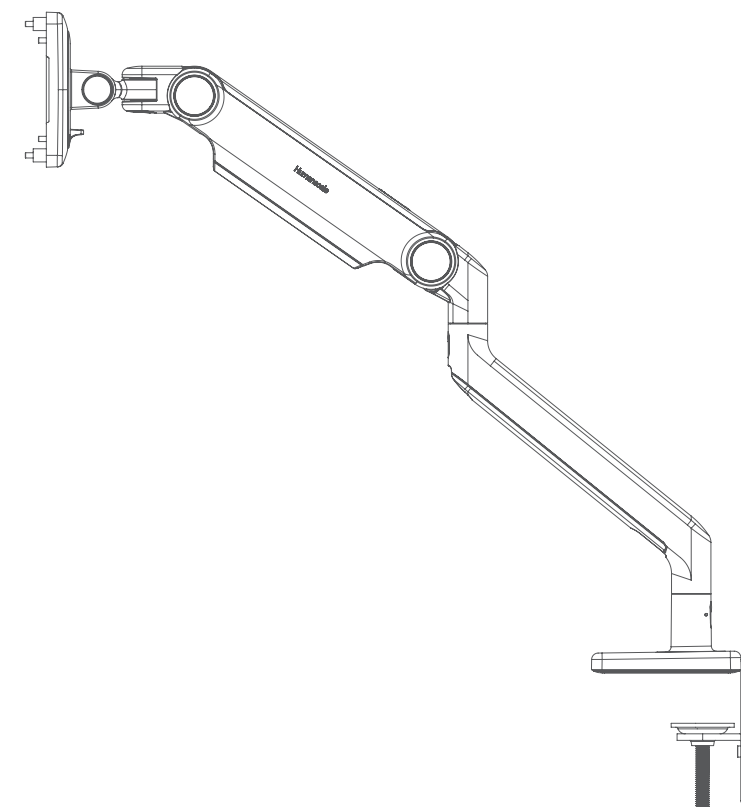
### Sliding Desk Mount



### Clamp Mount



Bracket Screws



# M2.1

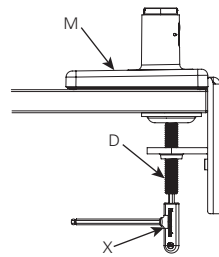
## Desk Mount Installation Instructions

## STEP 1: ATTACH MOUNT TO WORK SURFACE

### CLAMP/GROMMET MOUNT

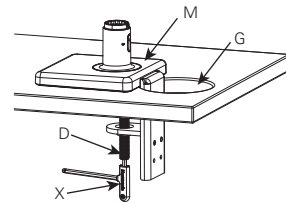
1A. For installation on open edge of work surface:

- Slide Mount (M) against work surface edge and fully tighten Clamp screw (D) with 4mm Hex Key (X).



1B. For installation through a 3" grommet hole:

- Insert Mount (M) through Grommet (G) and against work surface edge. Position Mount so that front of Base faces the user. Fully tighten Clamp Screw (D) with 4mm Hex Key (X).

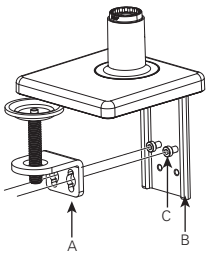


**NOTE:** If grommet hole is less than 3", the clamp will need to be separated as seen in step 1C.

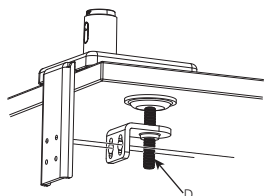
If grommet hole is less than 2", a Bolt-Through Mount is required.

1C. For installation on work surface positioned against a wall or panel:

- Detach the Bottom Clamp (A) from the Top Bracket (B) by loosening Bracket Screw (C) with 4mm Hex Key (X).



- Position the Top Bracket against work surface edge.



- Underneath the work surface, reattach the Bottom Clamp to the Top Bracket using the Bracket screws.

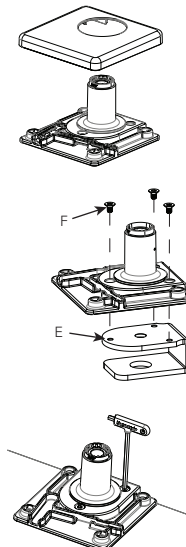
- Fully tighten the Clamp Screw (D) with 4mm Hex Key (X).

**NOTE:** Clamp Mounts cannot be used to mount the M2.1 to any vertical surface.

### SLIDING DESK MOUNT

1D. For Installation on a desk with minimal clamp clearance:

- Remove Base Cover.
- Loosely attach Clamp Bracket (E) to base with three included screws (F). The screws should not be tightened all the way.
- Slide the base and clamp over the back edge of the work surface until the clamp rests on the edge.
- Fully tighten the three clamp screws to secure the base to the work surface.



## BOLT-THROUGH MOUNT

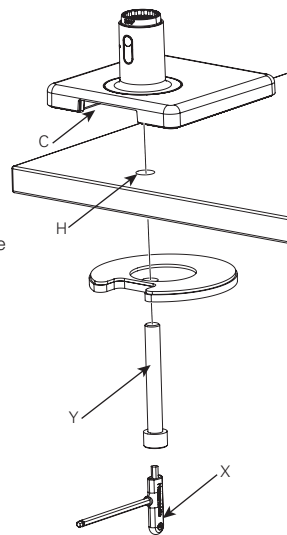
1E. For installation on work surface with no access for clamp system:

- Drill 1/2" hole through work surface in desired location.

**Note:** The Bolt-Through Mount may also be accommodated by a larger drilled hole or grommet hole up to 3" in diameter for cable management (C) behind the arm and through the hole to the underside of the work surface.

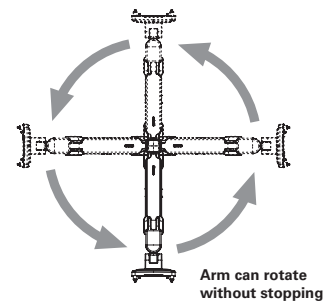
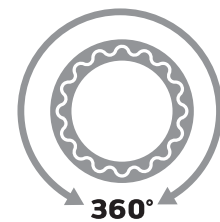
- Position the M2.1 Base over the work surface hole (H).

- Align Bolt-Through Plate, foam side up, under the work surface. Pass the Bolt (Y) through the hole in the plate and screw into M2 base by using Hex Key (X).

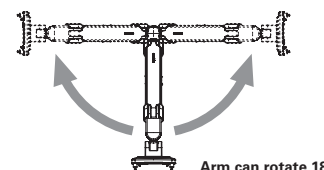
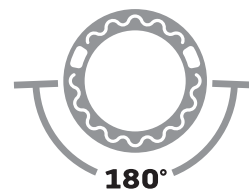


## STEP 2: SMART STOP ADJUSTMENT

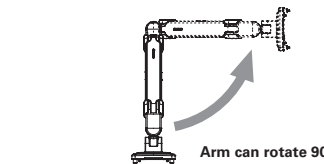
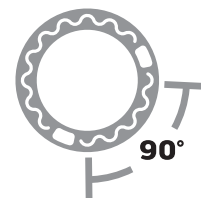
Position the smart stop ring to limit the arm's range of motion. The marked angle will be in the center of the range of motion. The stop rings must be configured in such a way that the dynamic link head does not pass behind the rear edge of the unit.



Arm can rotate without stopping



Arm can rotate 180°

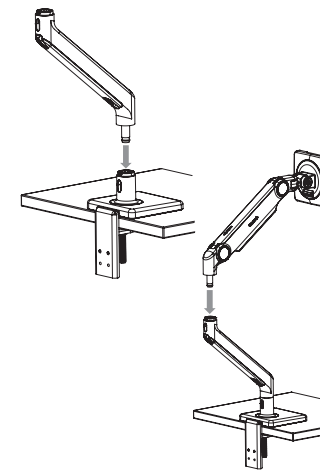


Arm can rotate 90°

## STEP 3: ATTACH ARM TO BASE STEM

**Note:** Before adding each link, adjust the smart stop according to step 2. If using a 3 link configuration, one of the links must be a 4" link. The link installation order may need to be swapped so as to comply with step 2.

- Insert the angled link into the mount until release button locks in place.
- Insert the dynamic link into the angled link until the release button locks in place.
- To remove links, press the release button and lift upward near the joint.



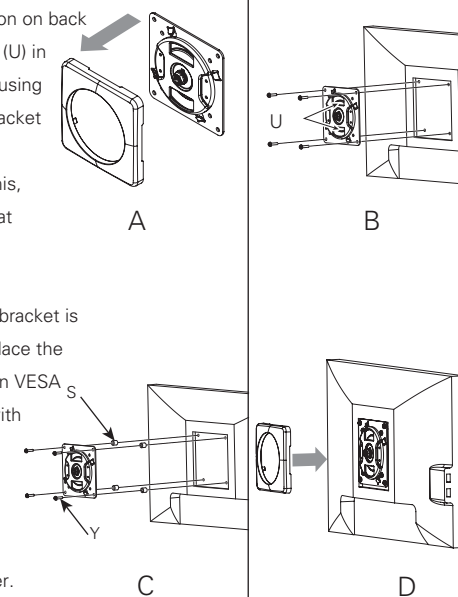
## STEP 4: ATTACH VESA BRACKET TO MONITOR

- Remove the plastic top cover.

- Place VESA bracket in position on back of monitor with two cutouts (U) in vertical direction and attach using 4 screws provided. VESA bracket can accommodate 75mm or 100mm hole patterns. For this, you may also use screws that came with your monitor.

- If mounting space for VESA bracket is inset into back of monitor, place the 4 plastic spacers (S) between VESA bracket and monitor (align with hole pattern), and using the extended VESA Screws (Y), attach through the spacers.

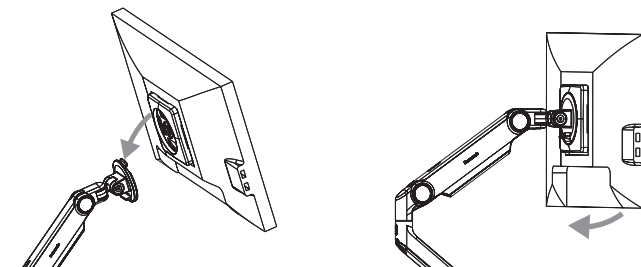
- Reinstall the plastic top cover.



## STEP 5: ATTACH MONITOR TO ARM

Tilt the monitor back and lower onto the arm, so that the hook fits into the corresponding hole on the VESA bracket. Then rotate the bottom of the monitor back towards the arm until the tab snaps in place.

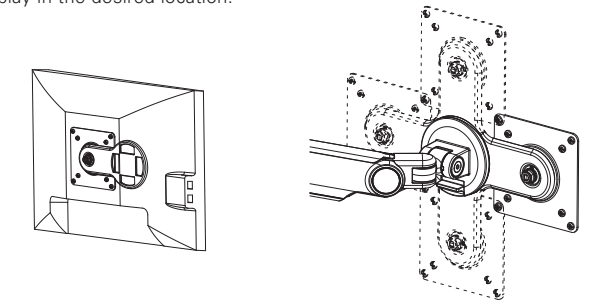
To remove, lift the release tab and pull the bottom of the monitor away from the arm, then lift free of the hook.



## STEP 5B: ONLY FOR OPTIONAL OFFSET VESA ADAPTER

Attach Offset VESA Adapter to the display using the included screws.

The Offset VESA Adapter can be placed on the arm in 4 positions to place the display in the desired location.



## STEP 6: CABLE MANAGEMENT

- Route power and monitor cables through the flexible cable clips on the M2.1's upper link (A).

**Note:** Leave enough slack in the cables to allow arms to rotate without difficulty.

- Slide the plastic cover on the lower link upward until it disengages, then remove (B).

- Route cables inside the lower link (C).

- Place the plastic cover back onto the lower link and slide downward until it clicks into place (D).

