


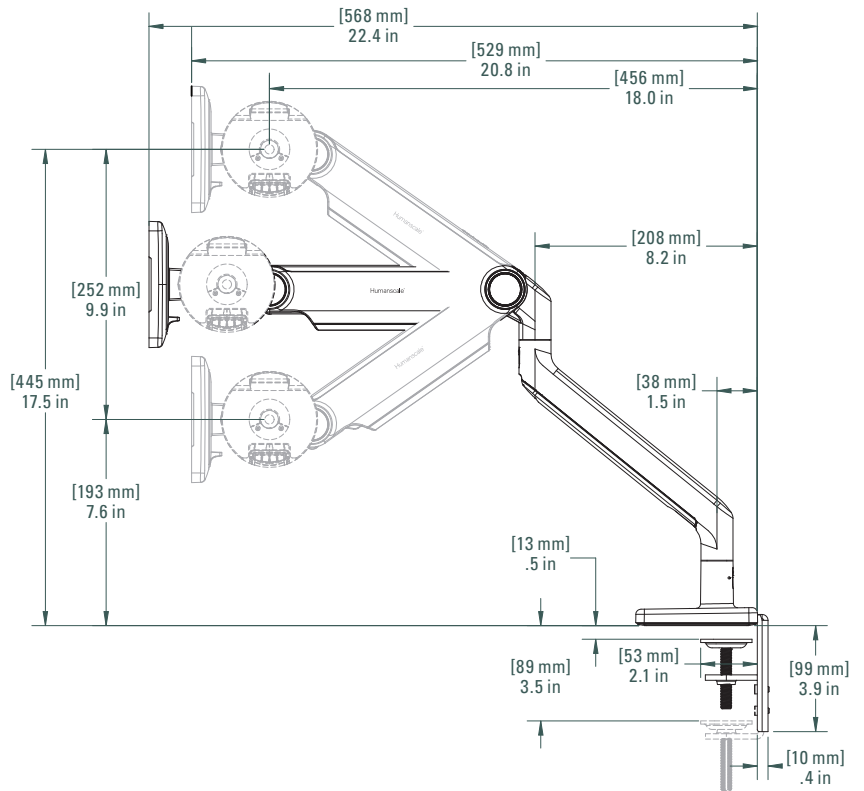


M21CMxBTB

AVAILABLE COLORS		
	Black with black trim	
	Silver with gray trim	
	Polished aluminum with white trim	
MONITOR WEIGHT RANGE		
WT	5.5 to 15.5 lbs	2.5 to 7.0 kg
PRODUCT WEIGHT		
WT	5.9 lbs	2.7 kg
SHIPPING: 5 PACK		
L	31 in	790 mm
W	24 in	620 mm
H	7 in	170 mm
WT	37.0 lbs	16.7 kg
SHIPPING: INDIVIDUAL PACK		
L	23.75 in	605 mm
W	15.75 in	400 mm
H	7.50 in	190 mm
WT	9.0 lbs	4.0 kg
NOTES		
<ul style="list-style-type: none"> The VESA bracket cover is black. Clamp can be separated into two pieces to accommodate installation where a panel is adjacent to the work surface. Clamp can be flipped to accommodate desks up to 3.5 in (89 mm) thick. 		

DIMENSIONS



ROTATION/TILT

