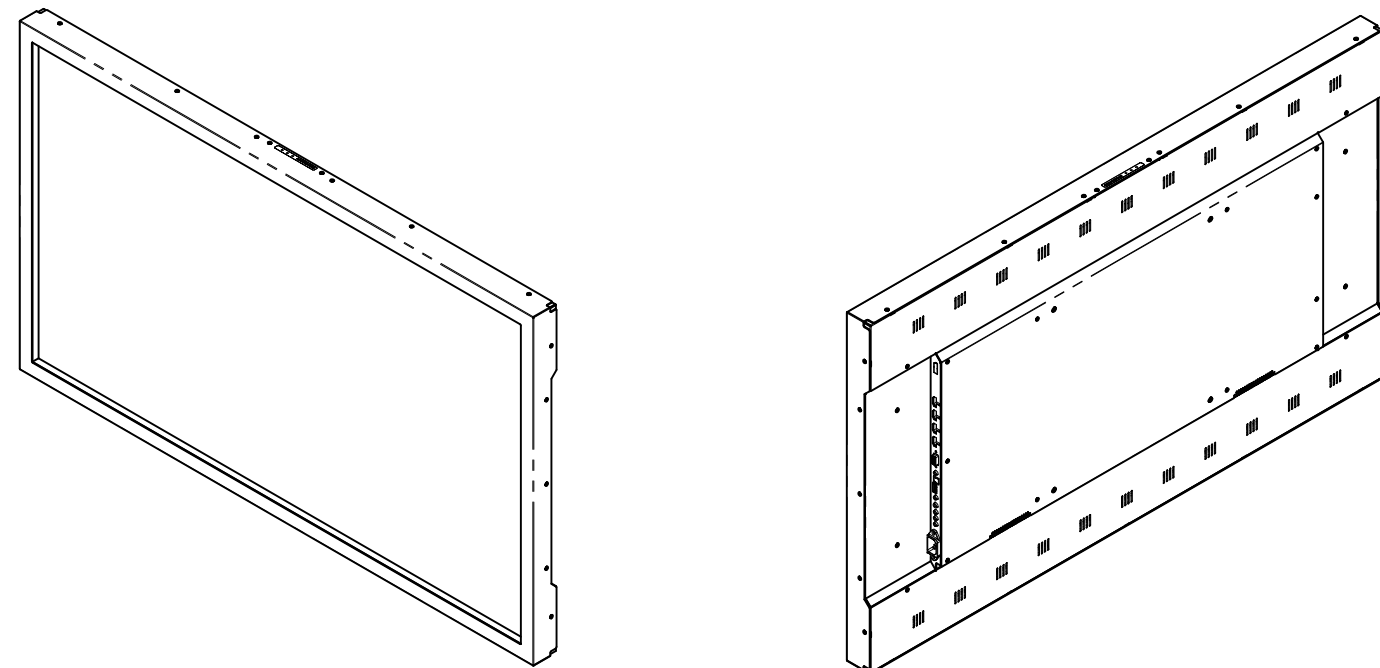
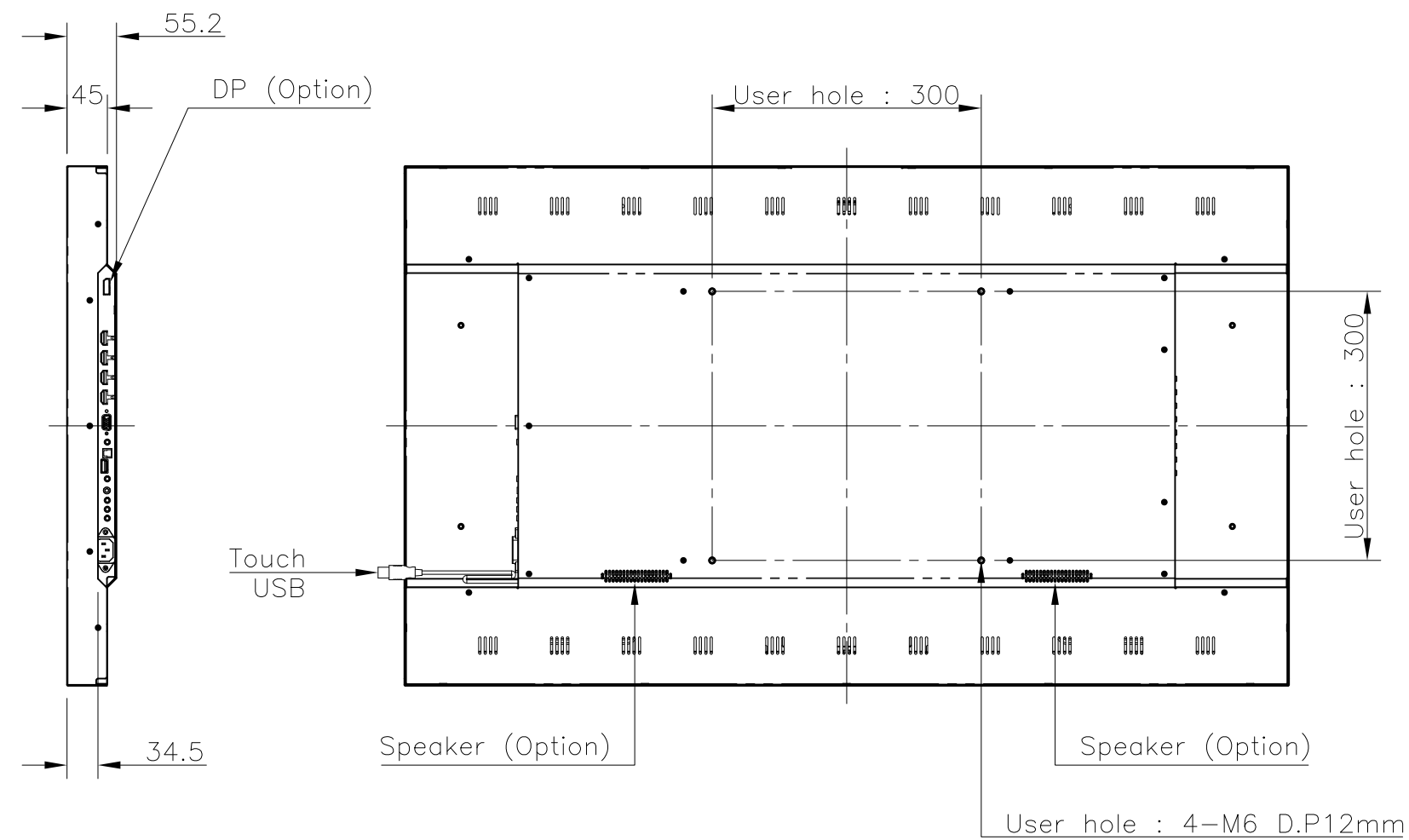
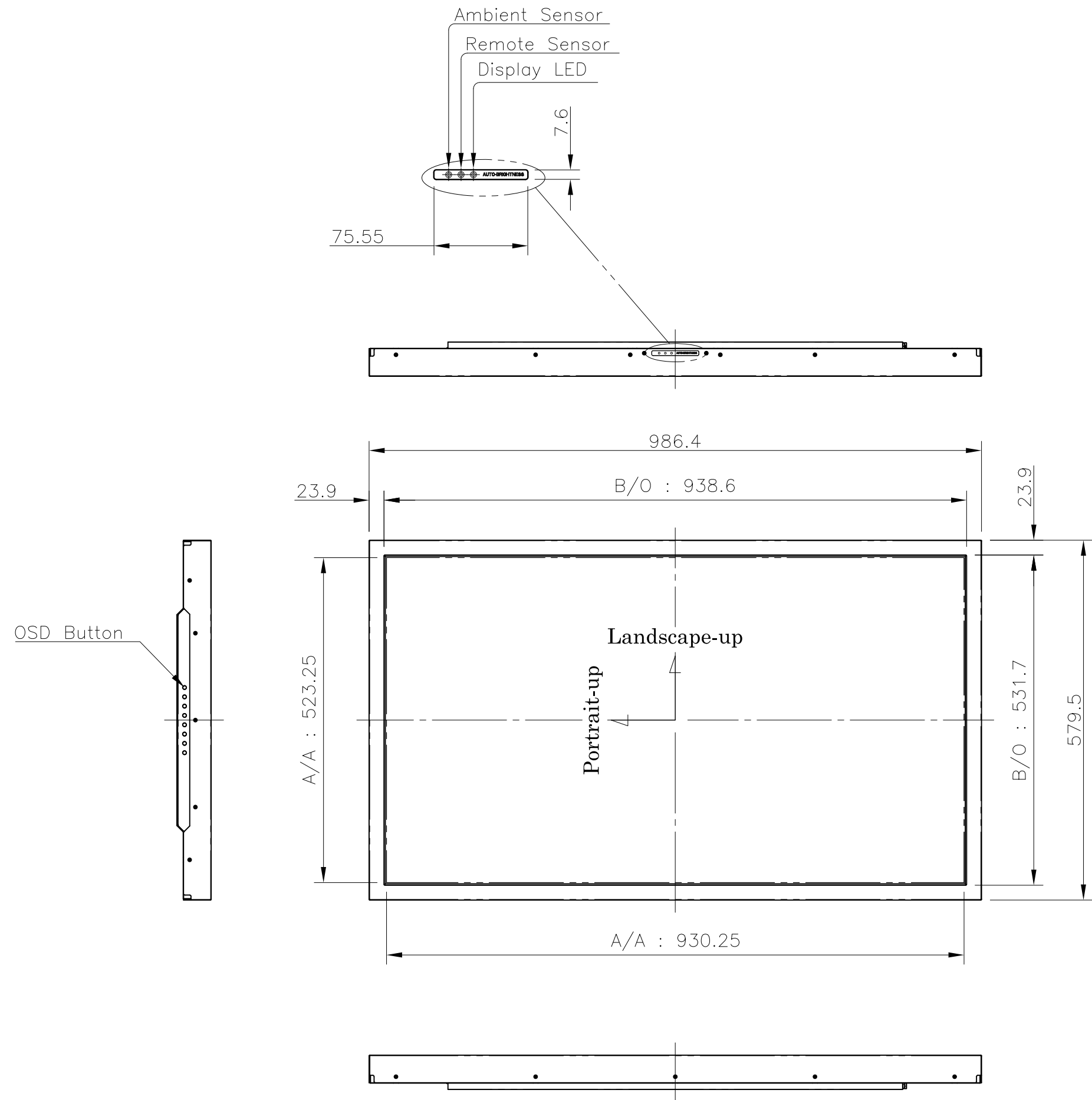


This drawing is the property of HYUNDAI IT CO.,LTD. and should not be disclosed to any third party without prior permission of HYUNDAI IT CO.,LTD..

A B C D E F G H I J

REV. NO		REV. HISTORY	LTR	ECO NO	DATE	APPR'L
DWG	PART					
00	00	INITIAL RELEASE	-	-	-	-
01	01	SPEAKER HOLE ADD.	△01	LM-130802	'13.08.22	-



- NOTES,**
1. LCD Panel : 42"
 2. Weight : 25.6 Kg
 3. Material : E.G.I
 4. Color : Black

DRAWN	PLANNED	CHECKED	APPROVED	UNLESS OTHERWISE SPECIFIED ALL DIMENSION ARE IN MILLIMETERS	ANGLE 3rd.	TITLE : D42EMNC EXTERIOR VIEW	UNIT : mm
S.W.SEO	S.H.JANG	S.H.JANG	Y.T.KIM		TOLERANCES ARE : LINEAR : X ± 0.2 .X ± 0.1 .XX ± 0.01 ANGLES : ± 0.1° RADII UNLESS NOTED : R 0.3		SCALE : 1/10
'17.06.01	'17.06.01	'17.06.01	'17.06.01	MODEL NAME (CODE): D42EMNC CUSTOMER. HDIT	DWG REV : 00	DWG(PART) NO. D42EMNC_001	SIZE : A3
HYUNDAI IT CO., LTD.					FILE NAME : LAYOUT_D42EMN_170601.DWG		SH'T NO : 1/1