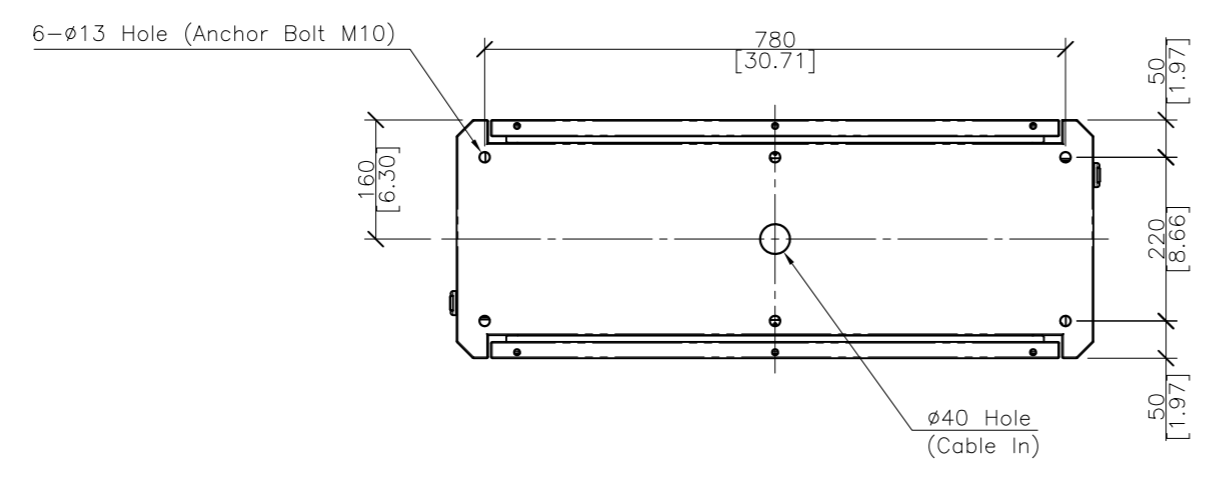
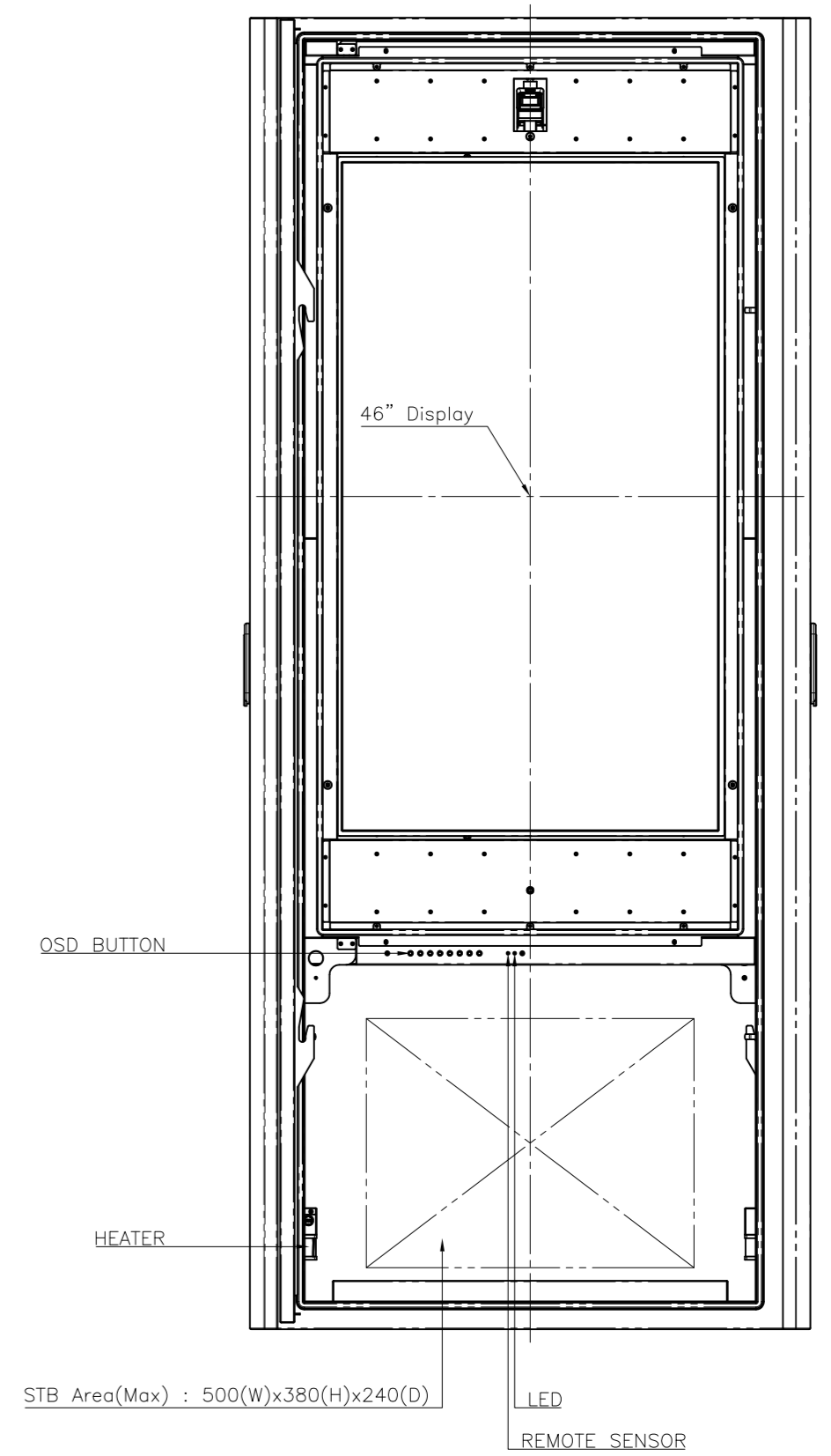
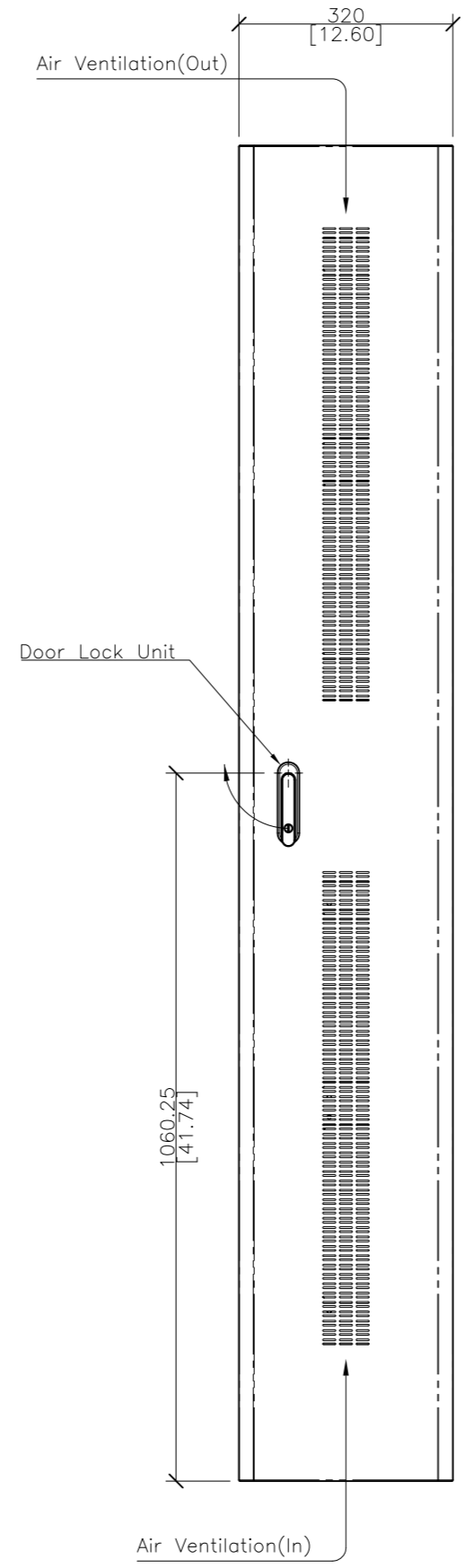
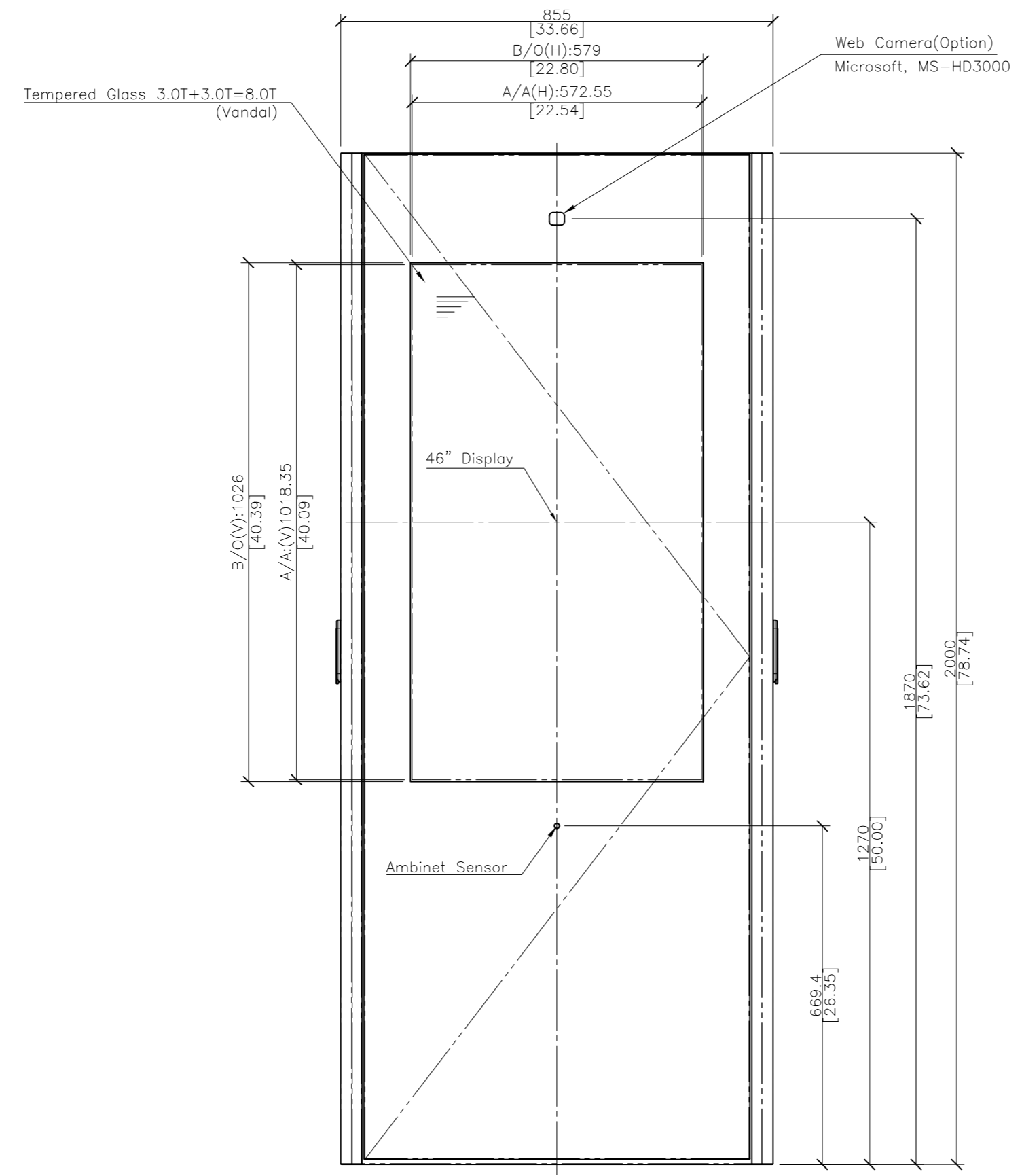
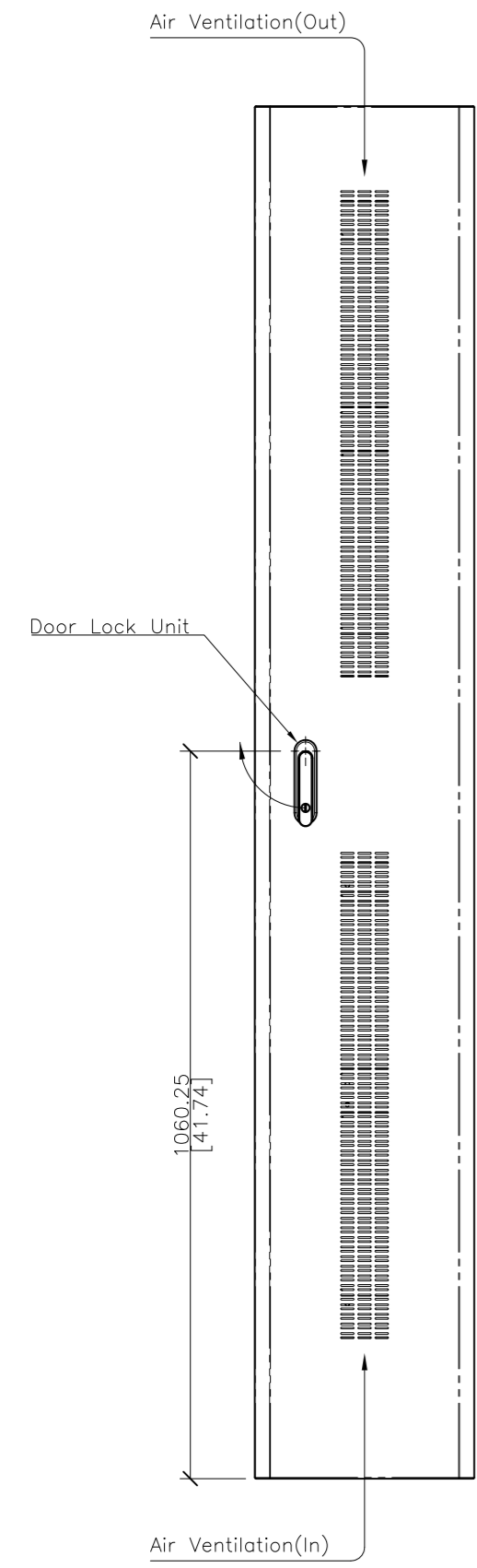
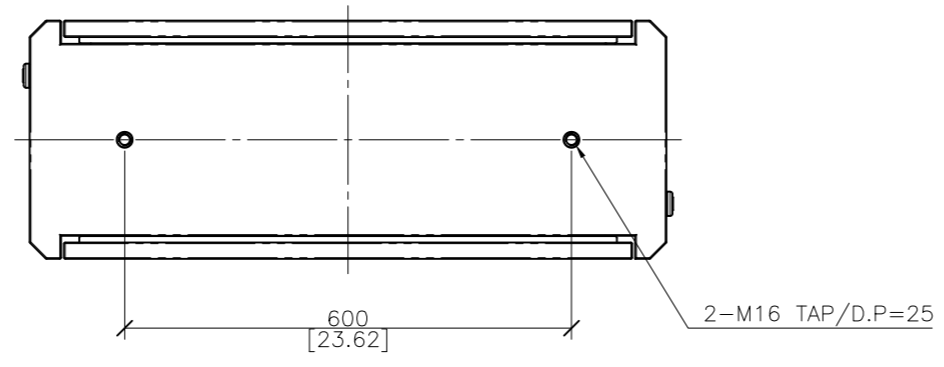


REV. NO		REV. HISTORY	LTR	ECO NO	DATE	APPR'L
DWG	PART					
00	00	INITIAL RELEASE	-	-	-	-



NOTES,

1. Cable Entry : Cable Gland("IP66" or more certified products should be used)

DRAWN	PLANNED	CHECKED	APPROVED	UNLESS OTHERWISE SPECIFIED ALL DIMENSION ARE IN MILLIMETERS	ANGLE 3rd.	TITLE : H469SD(H467SD) EXTERIOR VIEW	UNIT : mm
S.W.SEO	S.H.JANG	S.H.JANG	Y.T.KIM	TOLERANCES ARE: LINEAR : X ± 0.20 X ± 0.1 XX ± 0.01 ANGLES : ± 0.1° RADI UNLESS NOTED : R 0.3	SCALE : 1/10		TYPE : ASSY
'16.06.20	'16.06.20	'16.06.20	'16.06.20	MODEL NAME (CODE): H469SD(H467SD)*	CUSTOMER: HDT	DWG REV : 01	SIZE : A2
HYUNDAI IT CO., LTD.				FILE NAME : LAYOUT_H467SD_H469SD_160620.DWG	SHT NO : 1/1	DWG(PART) NO. H469SD(H467SD)_001	