

Installation Guide

NEWSTAR
Computerproducts

www.newstar.eu

LCD MONITOR DESK- & WALL MOUNT



Model:

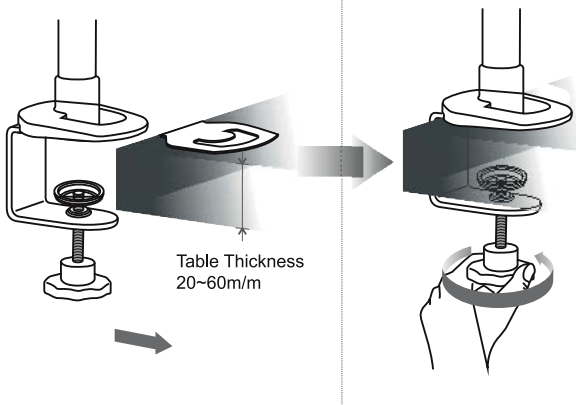
FPMA-D970 & 970D

FPMA-D975 & 975D

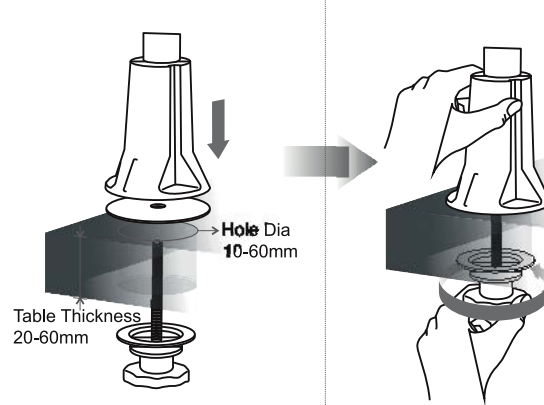
FPMA-W970

1 Installation Method of Mount Type

A C-Clamp

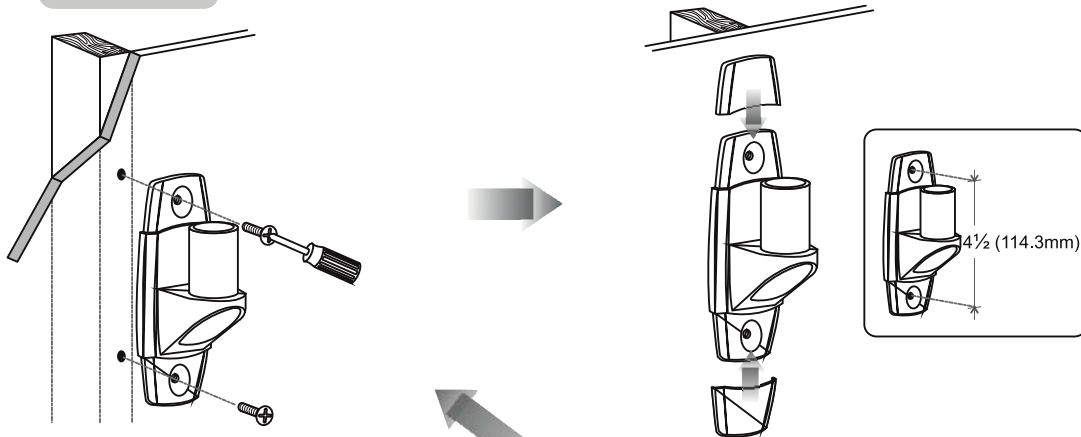


B Grommet

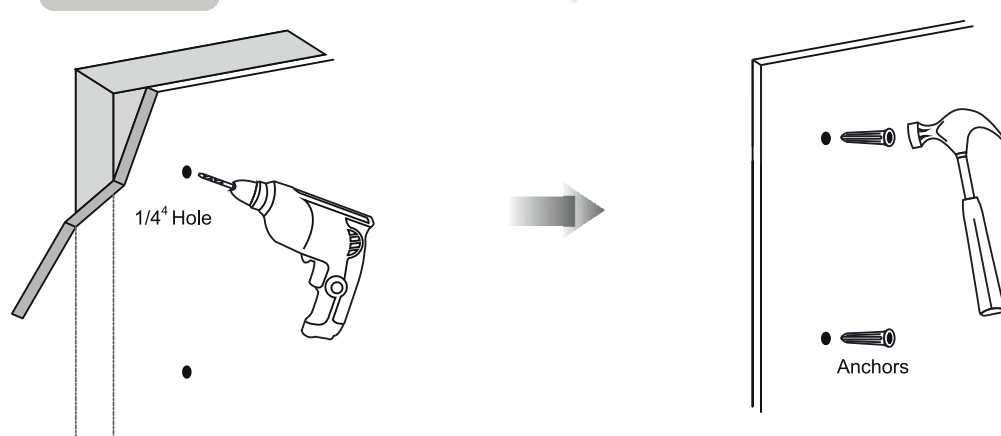


C Wall Mount

Wood

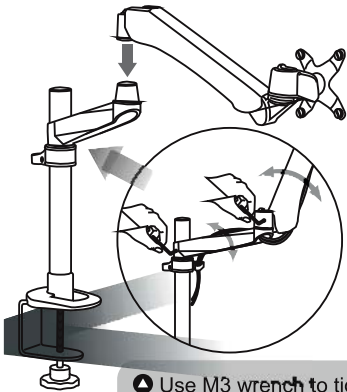


Concrete

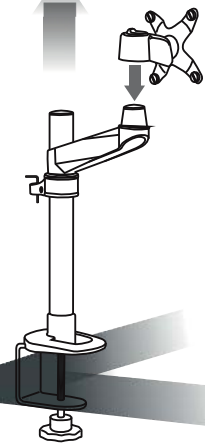


CAUTION: Do not exceed **10 kilo** total weight limit
LET OP: Maximale totale draagvermogen **10 kilo**

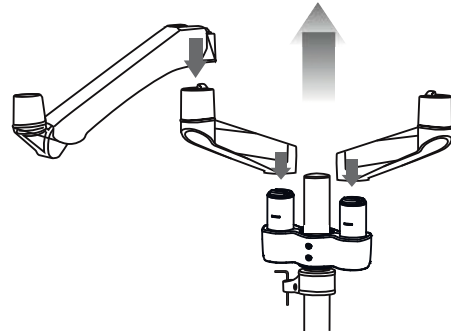
2 Install Arms



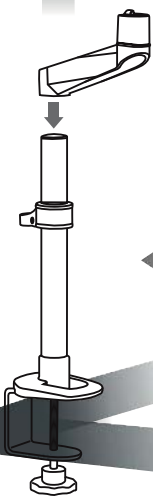
▲ Use M3 wrench to tighten or loosen swing feeling.



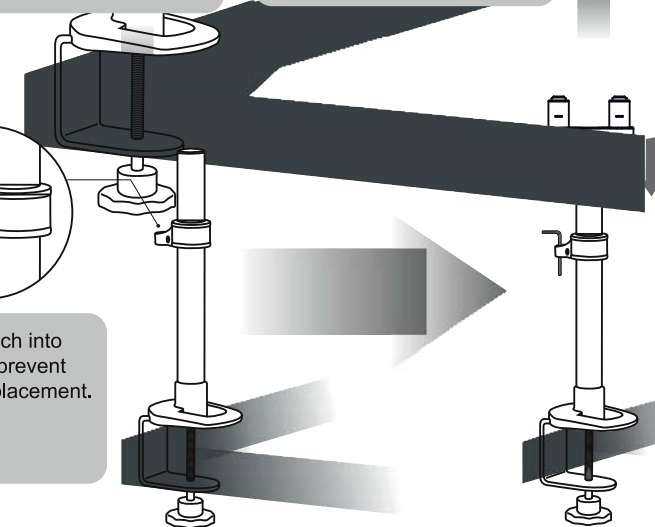
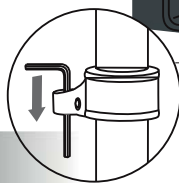
● Adjust to the suitable height then turn the Wrench to fix.



▼ Use M3 wrench to tighten or loosen swing feeling.

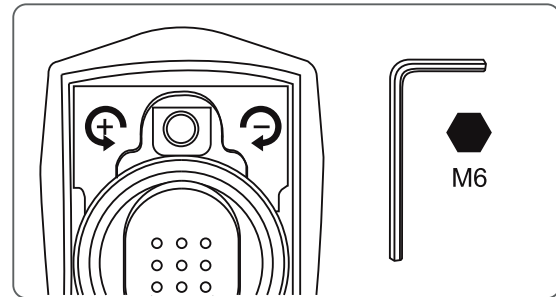
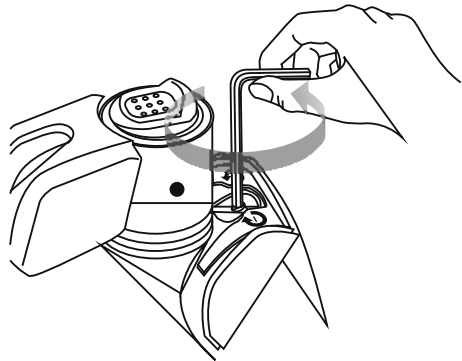


▲ Place Wrench into the hole to prevent the tool of placement.



CAUTION: Do not exceed **10 kilo** total weight limit
LET OP: Maximale totale draagvermogen **10 kilo**

3 Install Monitors

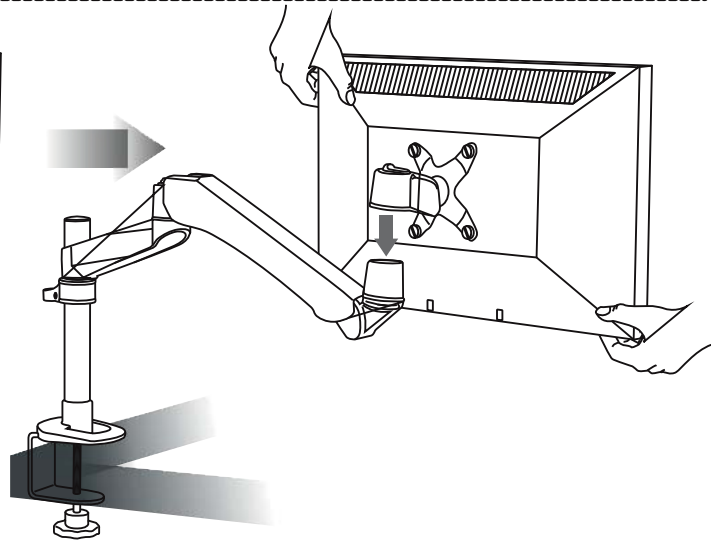
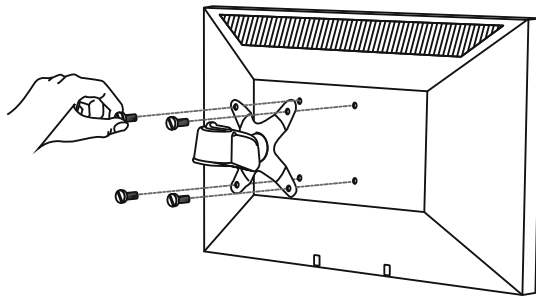


▶ + To Increase Loading – Turn counter-clockwise

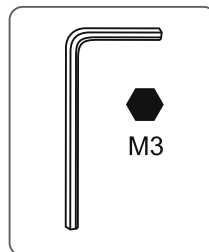
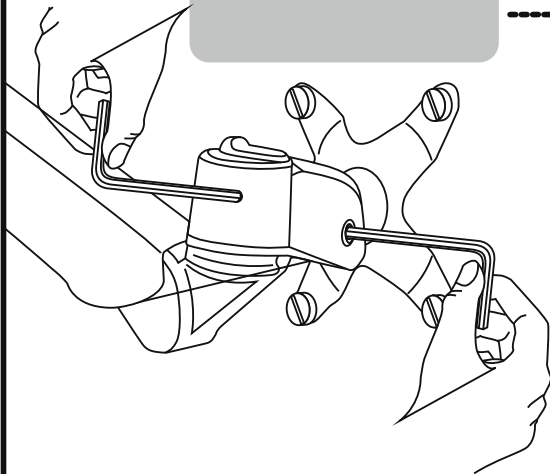
- To Decrease Loading – Turn clockwise

▶ Noticed

Before put Monitor onto the Arm, please notice the weight of Monitor. Our System be set at 3.5Kg, that's means the Arm can afford from 2.5-4.5Kg. If the Monitor's weight more than 4.5Kg or less than 2.5Kg, please use M6 wrench adjust the tension.



▼ Use M3 wrench to tighten or loosen swing feeling.



▶ Increase Tension- Turn Clockwise

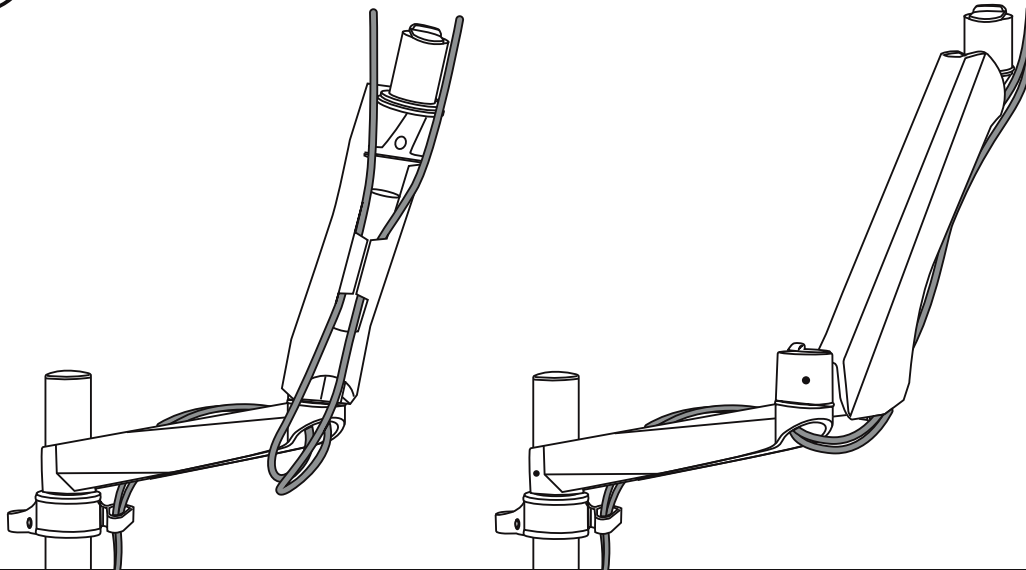
Decrease Tension-Turn Counter-Clockwise

▶ If Monitor does not stay in place or movement is stiff, please use Wrench to increase or decrease tension until motion is equal.

CAUTION: Do not exceed **10 kilo** total weight limit
LET OP: Maximale totale draagvermogen **10 kilo**

4

Route Cables



1. Consumer's satisfaction with our products is the goal that we have been heading for. To assure the best after-sale service to consumers and ensure consumer's rights, please read carefully the information stated in the instruction manual.
2. To enhance our service efficiency, please provide purchase invoice or warranty card if request for product maintenance or merchandise exchange.
3. The actual date of purchase and affixed seal by distributor on warranty card is required. Free after-sale service will not be guaranteed even under warranty period should any incomplete purchase information.
4. The costs of components and maintenance will be at consumer's expense should the product is invalid for warranty period.
5. Please refer to specification limitation specified in the instruction manual for correct usage. Even under the warranty period, this warranty does not cover the problems or damage resulting from the loading weight that exceeds the specification specified in the instruction manual; and the costs of components and maintenance will be at consumer's expense.

Warning:

Please lift Arm into full up position when removing Monitor, Weight balanced Arms will spring upward and may cause personal injury, when weight of Monitor is removed.



CAUTION: Do not exceed **10 kilo** total weight limit
LET OP: Maximale totale draagvermogen **10 kilo**

Installation Guide



www.newstar.eu

LCD MONITOR DESK- & WALL MOUNT



All Rights Reserved
Unauthorized Copying and Reproduction are prohibited