

SLWS 350

Ultra Slim Articulating Wall Arm

For 37" to 60" Ultra-thin Displays*

This slim articulating mount transforms the viewing experience from ordinary to extraordinary. Ultra-thin displays give the room a contemporary look, but only when married to an ultra-slim mount that allows the maintenance of the ultra-thin aesthetic and still position the display at the best viewing angle. Brilliant in its simplicity and ease of installation, the mount's functionality is optimized through its remarkable arm extension and swiveling hinge. Now you can create the perfect viewing angle and truly achieve the ultra-thin experience at the same time.



Display size: 37"-60"



Max load: 100lb (45kg)

FEATURES

- Universal mount fits displays with mounting hole patterns up to 825 x 439mm (32.48" x 17.27") and VESA® 200 x 100, 200 x 200, 400 x 200, 400 x 400 and 800 x 400mm compliant
- Arm retracts to only 1.35" (34mm) and extends up to 24.26" (616mm) from the wall
- +15/-5° of One-Touch™ tilt allows for ideal viewing angles without the use of tools
- Up to ±90° of side-to-side swivel
- ±5° of roll offers a simple way to horizontally level the display post-installation
- Double stud wall plate allows for perfect mount placement

EFFORTLESS MOTION

One-Touch™ tilt allows for ideal viewing angles with ease

FROM NOTHING TO EVERYTHING

Arm retracts to only 1.35" (34mm) and extends up to 24.26" (616mm) from the wall



* Designed exclusively for use with ultra-thin displays 2" (51mm) deep or less



Fully extended



Flat against the wall



Improved tilt hinge

Patented. Design Patent No. D654,065. Utility Patent No. 8,561,955.



RoHS

MADE IN USA

CLICK: peerless-av.com

CALL: 800.865.2112

FAX: 800.359.6500

peerless-AV®

SLWS350: Ultra Slim Articulating Wall Arm for 37" to 60" Ultra-thin Displays

Product Specifications

	DIMENSIONS (W x H x D)	PRODUCT WEIGHT	LOAD CAPACITY	FINISH	AVAILABLE COLORS
SLWS350	35.21" x 19.00" x 1.35"-24.26" (894 x 483 x 34-616mm)	21.5lb (9.75kg)	100lb (45kg)	Gloss	Black

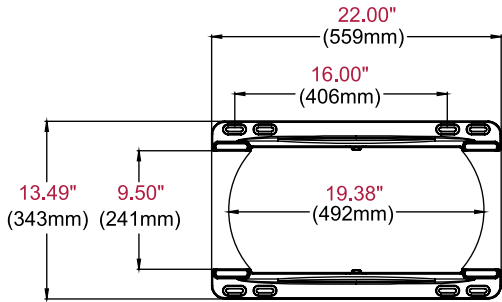
Package Specifications

	PACKAGE SIZE (W x H x D)	PACKAGE SHIP WEIGHT	PACKAGE UPC CODE	PACKAGE CONTENTS	UNITS IN PACKAGE
SLWS350	17.75" x 2.25" x 36.38" (451 x 57 x 924mm)	25lb (11.34kg)	735029282082	Mount, attachment hardware for display and wall, instructions	1

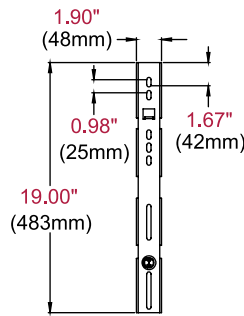
Accessories

- ACC925: Security Fasteners
- ACC-SB: Soundbar/Center Channel Accessory Mount

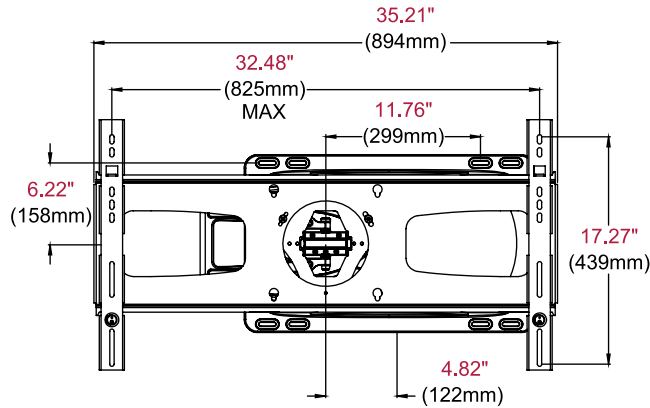
All dimensions = inch (mm)



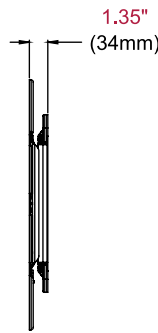
WALL PLATE



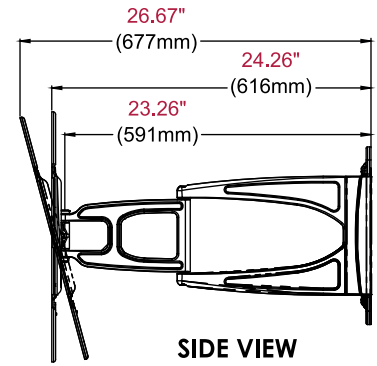
VERTICAL ADAPTOR



FRONT VIEW



SIDE VIEW



SIDE VIEW EXTENDED +15°/-5° TILT

ARCHITECTS SPECIFICATIONS

The Ultra Slim Articulating Wall Arm shall be a Peerless-AV SLWS350 and shall be located where indicated on the plans. It shall feature scratch resistant black fused epoxy finish. Assembly and installation shall be done according to instructions provided by the manufacturer.

Peerless Industries, Inc. ■ 2300 White Oak Circle ■ Aurora, IL 60502 ■ (800) 865-2112 ■ (630) 375-5100 ■ Fax: (800) 359-6500 ■ peerless-av.com

Visit peerless-av.com to see the complete line of AV solutions from Peerless-AV, including flat panel mounts, projector mounts, carts/stands, furniture, cables, display cleaners and a full assortment of accessories.