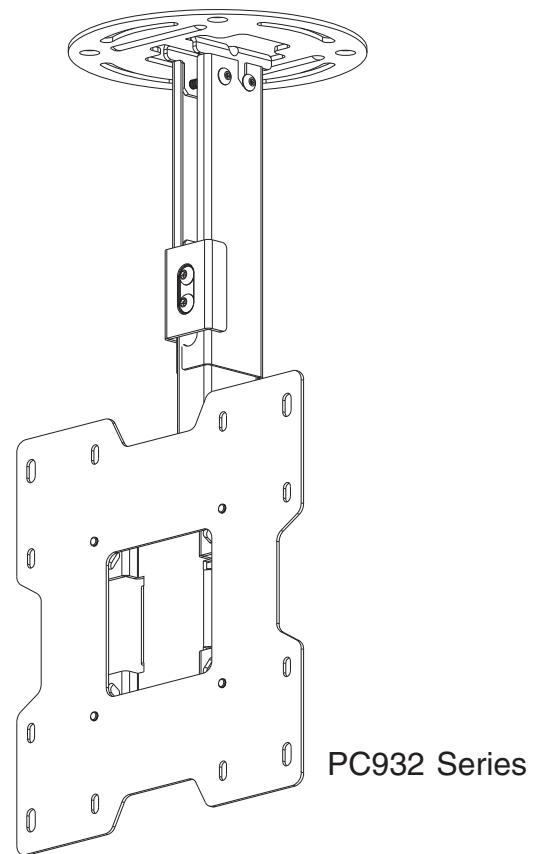
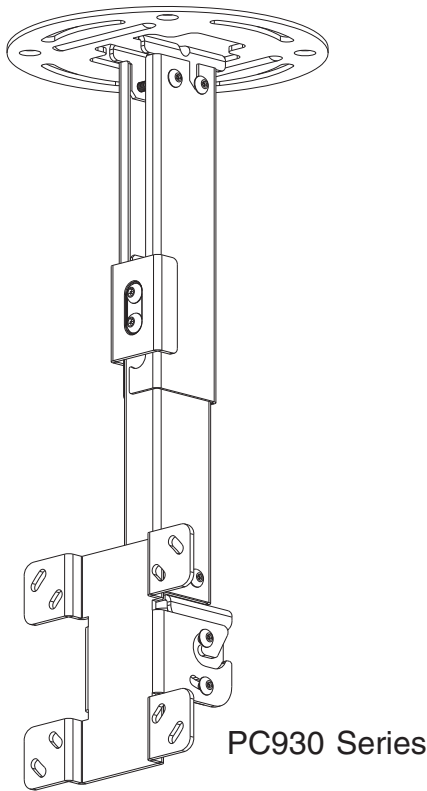


Installation and Assembly: ParamountTM Ceiling Mount for LCD Screens

Models	Screen Size Range	Max UL Load Capacity
PC930A, PC930A-S, PC930A-W, PC930B, PC930B-S, PC930B-W, PC930C, PC930C-S, PC930C-W	15" to 24"	50 lb (22.7 kg)
PC932A, PC932A-S, PC932A-W, PC932B, PC932B-S, PC932B-W, PC932C, PC932C-S, PC932C-W	15" to 37"	80 lb (36.3 kg)



This product is intended for use with UL Listed products and must be installed by a qualified professional installer.



Features:

- VESA® 75 / 100 / 200x100 / 200x200 compatible (based on model)
- Three adjustable extension lengths:
 PC930A/PC932A models - 9.8" - 13.9"
 PC930B/ PC932B models - 13.78" - 21.89"
 PC930C/ PC932C models - 20.24" - 34.02"
- Adjustable tilt of +20/-5°
- 360° of mountable adjustment
- Internal cable management
- Safety catch designed into extension channels to ensure user and equipment safety

Note: Read entire instruction sheet before you start installation and assembly.

⚠ WARNING

- Do not begin to install your Peerless product until you have read and understood the instructions and warnings contained in this Installation Sheet. If you have any questions regarding any of the instructions or warnings, please call Peerless customer care at 1-800-865-2112.
- This product should only be installed by someone of good mechanical aptitude, has experience with basic building construction, and fully understands these instructions.
- Make sure that the supporting surface will safely support the combined load of the equipment and all attached hardware and components.
- Never exceed the Maximum UL Load Capacity. See page 1.
- If mounting to wood ceiling studs, make sure that mounting screws are anchored into the center of the studs. Use of an "edge to edge" stud finder is highly recommended.
- Always use an assistant or mechanical lifting equipment to safely lift and position equipment.
- Tighten screws firmly, but do not overtighten. Overtightening can damage the items, greatly reducing their holding power.
- This product is intended for indoor use only. Use of this product outdoors could lead to product failure and personal injury.
- This product was designed and intended to be mounted to the following supporting surfaces checked below with the hardware included in this product as specified in the installation sheet. To mount this product to an alternative supporting surface, contact Peerless customer care at 1 800 865-2112.
- This product was designed to be installed on the following ceiling construction only;

CEILING CONSTRUCTION

ADDITIONAL HARDWARE REQUIRED

<input checked="" type="checkbox"/> Wood Stud, Joist	None
<input checked="" type="checkbox"/> Wood Beam	None
<input checked="" type="checkbox"/> Solid Concrete	None
<input type="checkbox"/> Cinder Block	Contact Customer Service
<input type="checkbox"/> Metal Stud	Do not attach except with Peerless accessory kit for metal studs; Contact Customer Service for Peerless accessory kit for metal studs.
<input type="checkbox"/> Brick	Contact Customer Service
<input type="checkbox"/> Other or unsure?	Contact Customer Service

Tools Needed for Assembly

- stud finder ("edge to edge" stud finder is recommended)
- drill
- level
- 1/4" bit for concrete
- 5/32" bit for wood joist
- phillips screwdriver

Table of Contents

Parts List	3, 4
Install Outer Channel to Ceiling Plate	4
Installation to Wood Joist	5
Installation to Concrete Ceilings	6
Installing Inner Channel and Routing Cables	7
Attaching Mounting Plate to Screen with VESA 75 or 100 Mounting Pattern	8
Attaching Adapter Plate to Screen with VESA 200 x 100 or 200 x 200 Mounting Pattern	9
Installing Flat Panel Screen	10
Adjusting Mount Extension	10
Adjusting Screen	11
Install Cable Covers	11

Before you begin, make sure all parts shown are included with your product.

Parts List	Description	Qty.	PC930A, PC930B, PC930C	PC930A-S, PC930B-S, PC930C-S	PC930A-W, PC930B-W, PC930C-W	PC932A, PC932B, PC932C	PC932A-S, PC932B-S, PC932C-S	PC932A-W, PC932B-W, PC932C-W
			Part #	Part #	Part #	Part #	Part #	Part #
A	ceiling plate	1	055-1773	055-4773	055-2773	055-1773	055-4773	055-2773
B	outer channel	1	See Chart	See Chart	See Chart	See Chart	See Chart	See Chart
C	inner channel	1	See Chart	See Chart	See Chart	See Chart	See Chart	See Chart
D	clamp plate	1	055-1771	055-4771	055-2771	055-1771	055-4771	055-2771
E	swivel/pivot bracket	1	055-1811	055-4811	055-2811	055-1811	055-4811	055-2811
F	tilt bracket	1	095-1484	095-4484	095-2484	095-1484	095-4484	095-2484
G	cable cover	2	See Chart	See Chart	See Chart	See Chart	See Chart	See Chart
H	#14 x 2.5 wood screw	2	5S1-015-C03	5S1-015-C04	5S1-015-C04	5S1-015-C03	5S1-015-C04	5S1-015-C04
I	Alligator® concrete anchor	2	590-0097	590-0097	590-0097	590-0097	590-0097	590-0097
J	M5 x 10 mm socket pin screw	8	520-1063	520-2063	520-2063	520-1063	520-2063	520-2063
K	M6 x 10 mm socket pin screw	4	520-1066	520-2066	520-2066	520-1066	520-2066	520-2066
L	M6 x 12 mm socket pin screw	2	520-1050	520-2050	520-2050	520-1050	520-2050	520-2050
M	M4 x 10 mm socket pin screw	4	520-1060	520-2060	520-2060	520-1060	520-2060	520-2060
N	M4 x 12 mm socket pin serrated washer head screw	4	510-1079	510-2079	510-2079	510-1079	510-2079	510-2079
O	M4 x 20 mm socket pin screw	4	520-1061	520-2163	520-2163	520-1061	520-2163	520-2163
P	retaining spacer	4	590-5005	590-5005	590-5005	590-5005	590-5005	590-5005
Q	4 mm security allen wrench	1	560-9646	560-9646	560-9646	560-9646	560-9646	560-9646
R	adapter plate	1	N/A	N/A	N/A	095-1322	095-4322	095-2322
S	M5 x 6 mm socket pin screw	4	N/A	N/A	N/A	520-1114	520-2062	520-2062
T	#10 flat washer	4	N/A	N/A	N/A	540-9400	540-9442	540-9442
U	M6 x 12 mm socket pin screw	4	N/A	N/A	N/A	520-1050	520-2050	520-2050
V	M6 x 20 mm socket pin screw	4	N/A	N/A	N/A	520-9554	520-2554	520-2554
W	M6 x 30 mm socket pin screw	4	N/A	N/A	N/A	520-1067	520-2067	520-2067

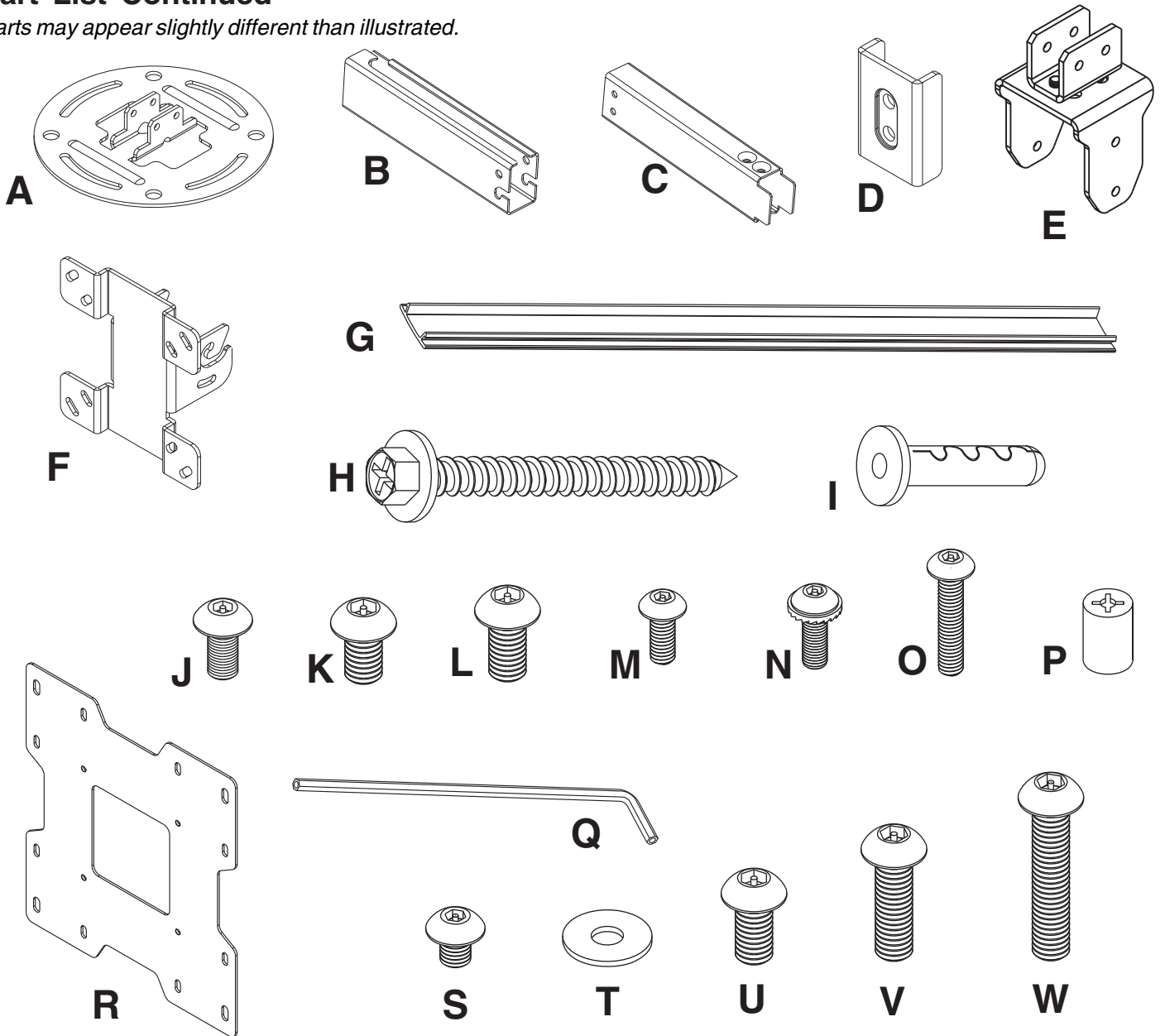
Parts may appear slightly different than illustrated.

OUTER CHANNEL, INNER CHANNEL AND CABLE COVER PART NUMBER CHART

Model#	extendable length	outer channel (B) part #	inner channel (C) part #	cable cover (G) part #
PC930A, PC932A	9.8" - 13.9"	055-1779	055-1778	055-1809-2
PC930A-S, PC932A-S	9.8" - 13.9"	055-4779	055-4778	055-4809-2
PC930A-W, PC932A-W	9.8" - 13.9"	055-2779	055-2778	055-2809-2
PC930B, PC932B	13.78" - 21.89"	055-1776	055-1775	055-1809-1
PC930B-S, PC932B-S	13.78" - 21.89"	055-4776	055-4775	055-4809-1
PC930B-W, PC932B-W	13.78" - 21.89"	055-2776	055-2775	055-2809-1
PC930C, PC932C	20.24" - 34.02"	055-1770	055-1769	055-1809
PC930C-S, PC932C-S	20.24" - 34.02"	055-4770	055-4769	055-4809
PC930C-W, PC932C-W	20.24" - 34.02"	055-2770	055-2769	055-2809

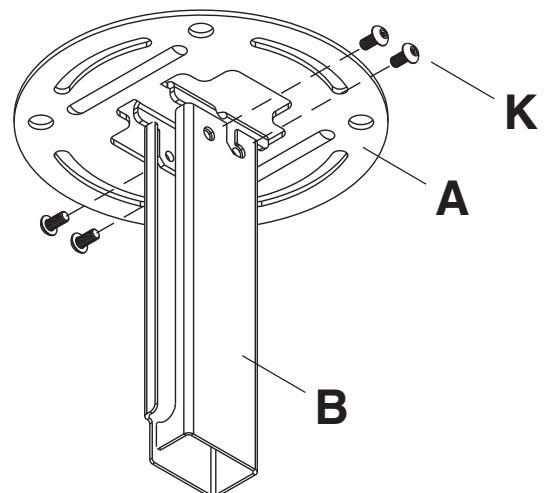
Part List Continued

Parts may appear slightly different than illustrated.



Install Outer Channel to Ceiling Plate

- 1 Attach outer channel (B) to ceiling plate (A) using four M6 x 10 mm socket pin screws (K) as shown.



Installation to Wood Joist Ceilings

⚠ WARNING

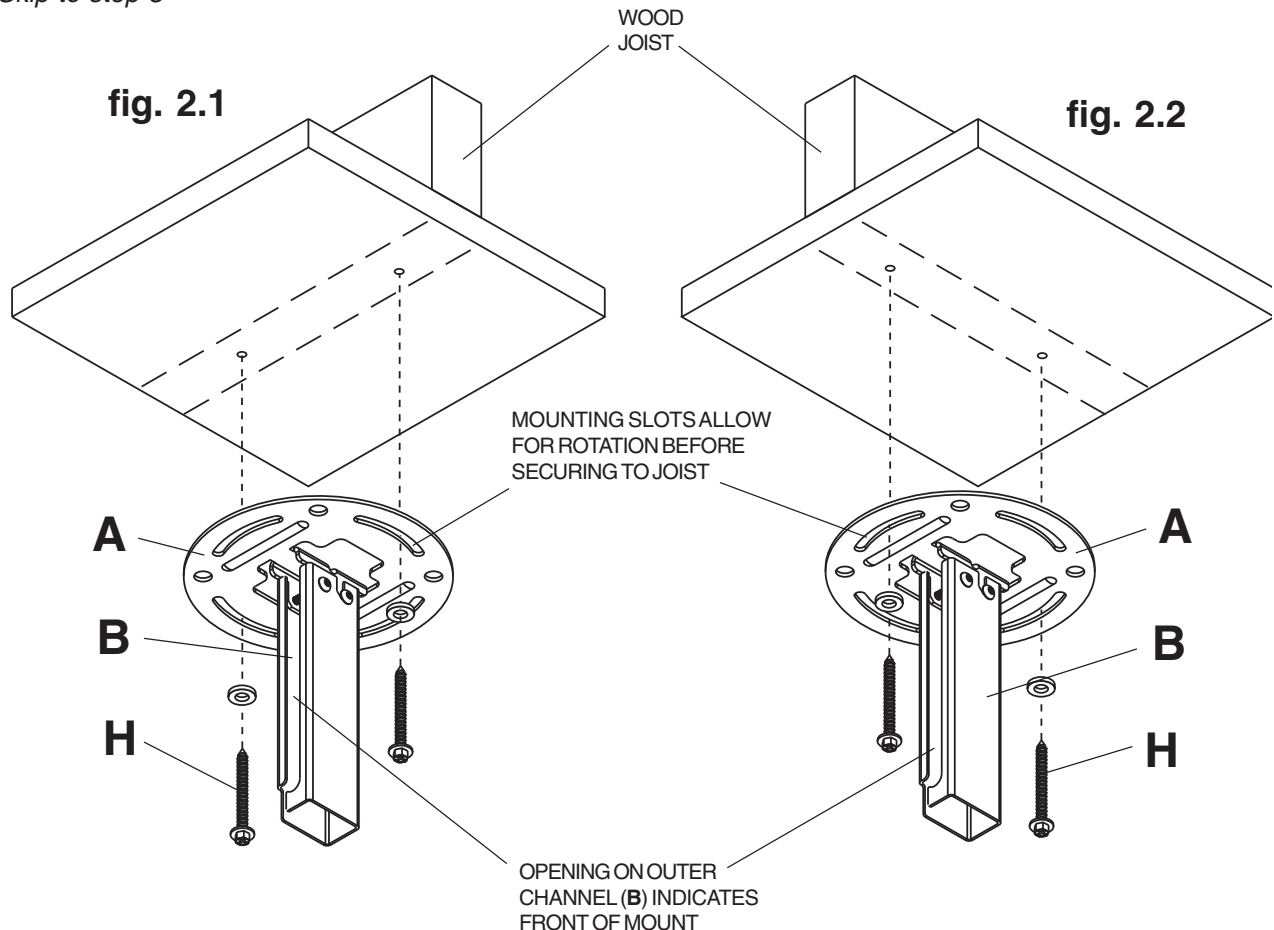
- Installer must verify that the supporting surface will safely support the combined load of the equipment and all attached hardware and components.
- Tighten wood screws so that ceiling plate is firmly attached, but do not overtighten. Overtightening can damage the screws, greatly reducing their holding power.
- Never tighten in excess of 80 in. • lb (9 N.M.).
- Make sure that mounting screws are anchored into the center of the stud or joist. The use of an "edge to edge" stud finder is highly recommended.
- Hardware provided is for attachment of mount through standard thickness drywall or plaster into wood studs or joists. Installers are responsible to provide hardware for other types of mounting situations (not UL approved).

2 Use a stud finder to locate the edges of the joist. Use of an edge-to-edge stud finder is highly recommended. Based on its edges, draw a vertical line down the joist's center. Place ceiling plate (A) on ceiling as a template, making sure that the two mounting slots are on the stud centerline.

Note: Opening on outer channel (B) indicates front of mount. Use the correct mounting slots on the ceiling plate depending on ceiling joist orientation as shown in figure 2.1 or figure 2.2. Mounting slots on ceiling plate allow for 45° (± 22.5) of swivel adjustment before securing to joist.

Mark the center of the two mounting holes depending on joist orientation as shown in figure 1.1 or figure 1.2. Drill two 5/32" (4 mm) dia. holes 2-1/2" (65 mm) deep. Secure ceiling plate (A) to wood joist using two #14 x 2-1/2" wood screws (H) as shown.

Skip to step 3



Installation to Concrete Ceilings

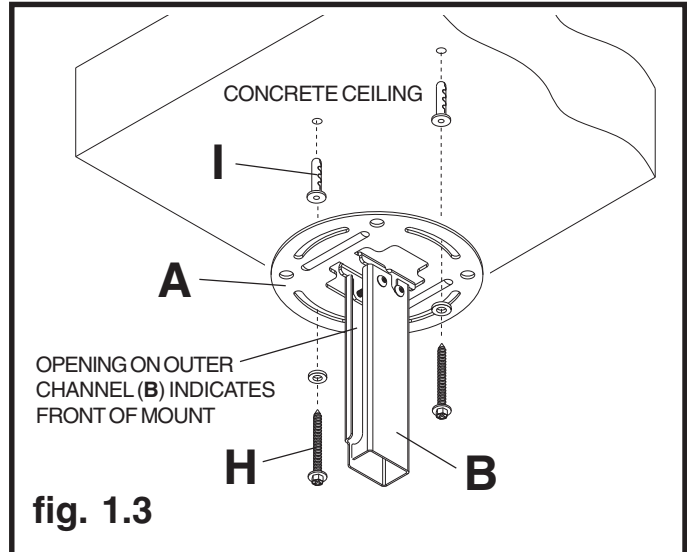
⚠ WARNING

- Concrete must be 2000 psi density minimum. Lighter density concrete may not hold concrete anchor.
- Make sure that the supporting surface will safely support the combined load of the equipment and all attached hardware and components.

2 Place ceiling plate (A) on ceiling as a template and mark the center of the two mounting holes.

Note: Opening in outer channel indicates the front of the mount.

Drill two 1/4" (6 mm) dia. holes to a minimum depth of 2.5" (64 mm). Attach ceiling plate (A) using two concrete anchors (I) and two #14 x 2.5" wood screws (H) as shown in figure 1.3 and figure 1.4. Tighten wood screws (H) until ceiling plate (A) is firmly attached.



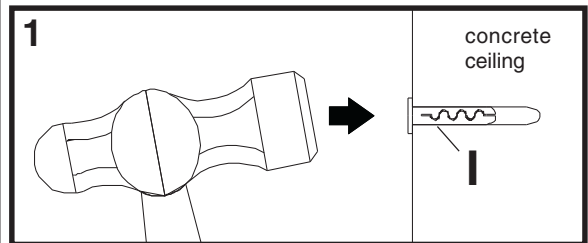
⚠ WARNING

- Tighten wood screws firmly, but do not overtighten. Overtightening can damage the screws, greatly reducing their holding power.
- Never tighten in excess of 80 in • lb (9 N.M.).

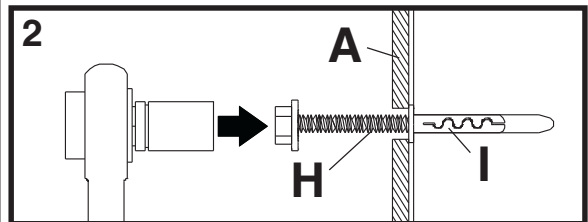
⚠ WARNING

- Always attach concrete expansion anchors directly to load-bearing concrete.
- Never attach concrete expansion anchors to concrete covered with plaster, drywall, or other finishing material. If mounting to concrete surfaces covered with a finishing surface is unavoidable, the finishing surface must be counterbored as shown below. Be sure concrete anchors do not pull away from concrete when tightening screws. If plaster/drywall is thicker than 5/8" (16 mm), custom fasteners must be supplied by installer (not UL approved).

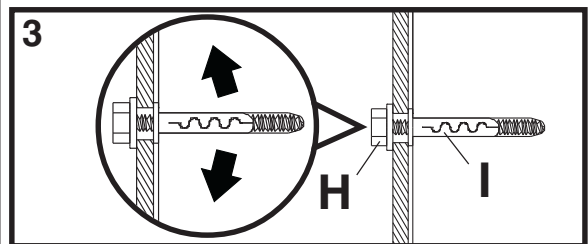
fig. 1.4



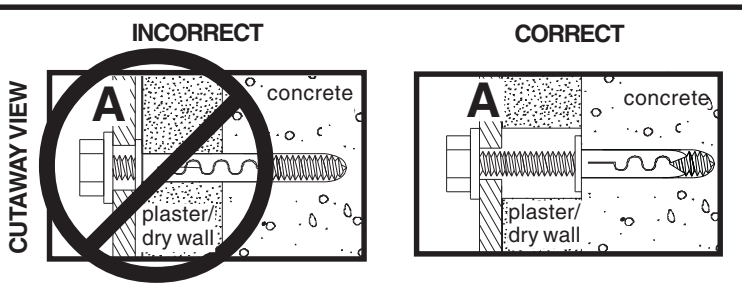
Drill holes and insert anchors (I).



Place mount (A) over anchors (I) and secure with screws (H).



Tighten all fasteners.



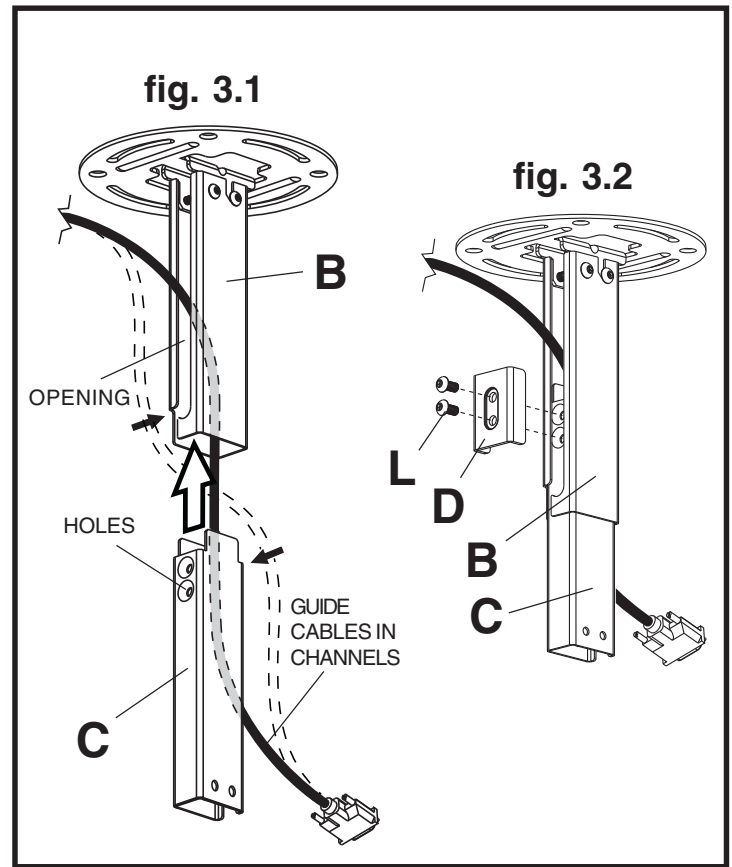
Installing Inner Channel and Routing Cables

- 3** **Note:** Be certain holes on inner channel (C) face in the same direction of opening on outer channel (B).

Note: Cables must be removed from screen before routing through channels. If cables are not removable from screen, routing through channels is not an option.

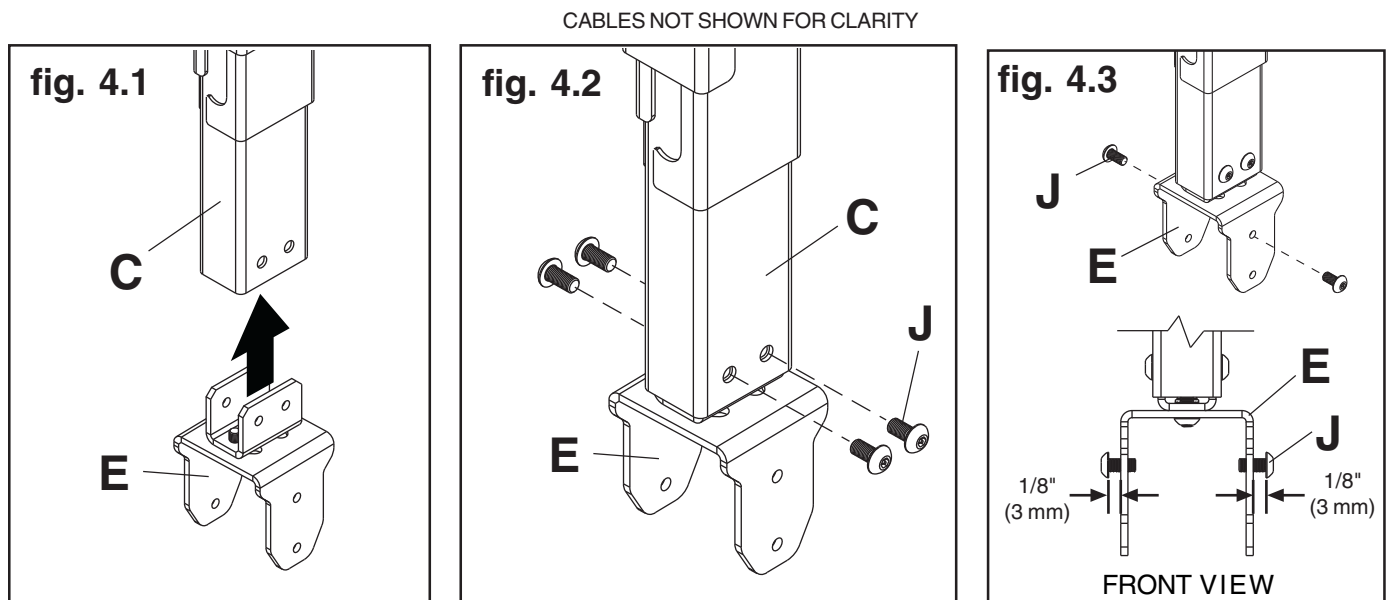
Guide screen cables into openings in channels then insert inner channel (C) into outer channel (B) as shown in figure 3.1.

Position inner channel (C) to the desired height and secure using two M6 x 12 mm socket pin screws (L) through clamp plate (D), through opening in outer channel (B) and into inner channel (C) as shown in figure 3.2.



- 4** Insert swivel/pivot bracket (E) into end of inner channel (C) and secure with four M5 x 10 mm socket pin screws (J) as shown in figure 4.1 and figure 4.2.

Thread two M5 x 10 mm screws (J) into top holes of swivel/pivot bracket (E), leaving 1/8" (3 mm) exposed thread between head of screw and swivel/pivot bracket as shown in figure 4.3.



Attaching Mounting Plate to Screen with VESA 75 or 100 Mounting Pattern

Note: For VESA 200 x 100 mm and 200 x 200 mm hole patterns, skip to step 6.

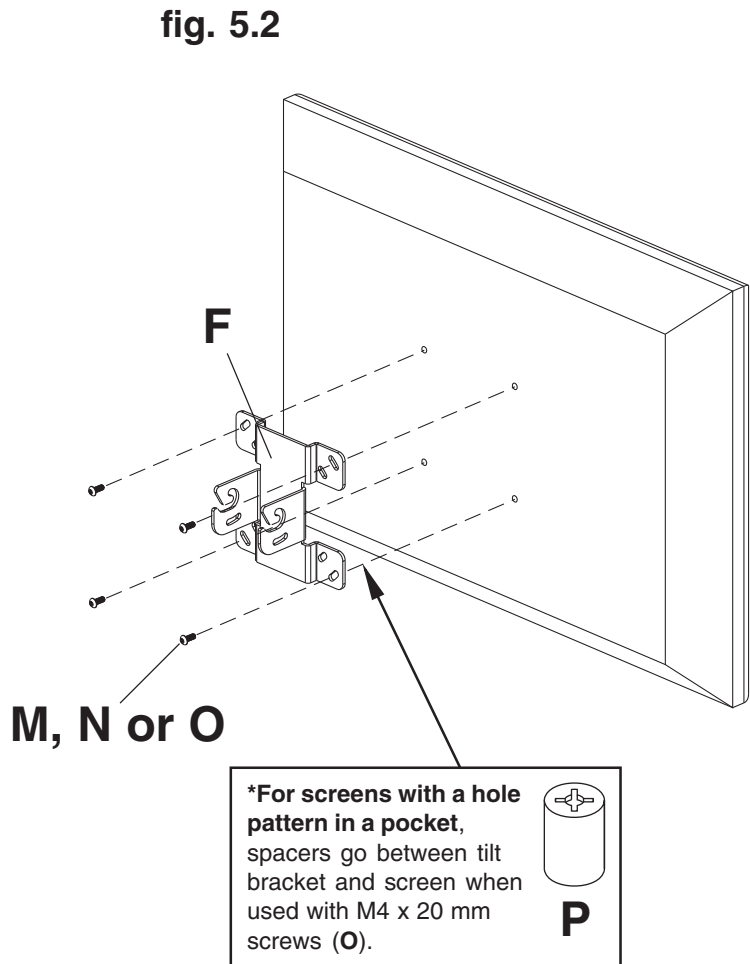
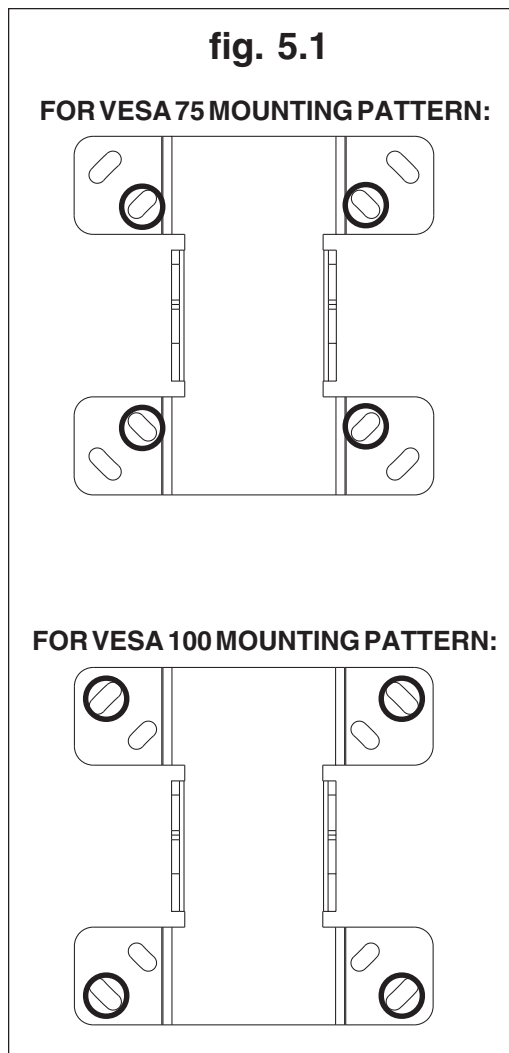
⚠ WARNING

- If screws don't get three complete turns in the screen inserts or if screws bottom out and bracket is still not tightly secured, damage may occur to screen or product may fail.

5 Choose hole pattern as shown in figure 5.1 which matches hole pattern on back of your screen. Attach tilt bracket (**F**) to back of screen using four M4 x 10 mm screws (**M**) or M4 x 12 mm screws (**N**) as shown in figure 5.2.

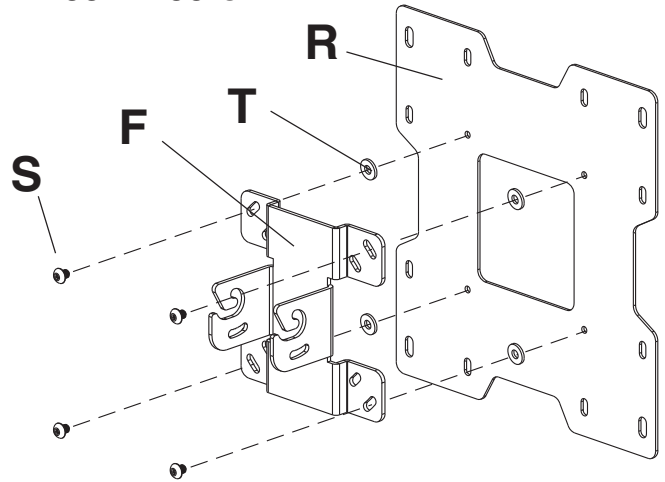
***Note:** If hole pattern is in a pocket, attach tilt bracket (**F**) to back of screen using four M4 x 20 mm screws (**O**) and four retaining spacers (**P**) as indicated in figure 5.2.

Skip to step 7



Attaching Adapter Plate to Screen with VESA 200 x 100 or 200 x 200 Mounting Pattern

- 6** Attach tilt bracket (F) to adapter plate (R) using four M5 x 6 mm screws (S) and four #10 washers (T) as shown.



⚠ WARNING

- If screws don't get three complete turns in the screen inserts or if screws bottom out and adapter plate is still not tightly secured, damage may occur to screen or product may fail.

FOR VESA 200 x 100 MOUNTING PATTERN:

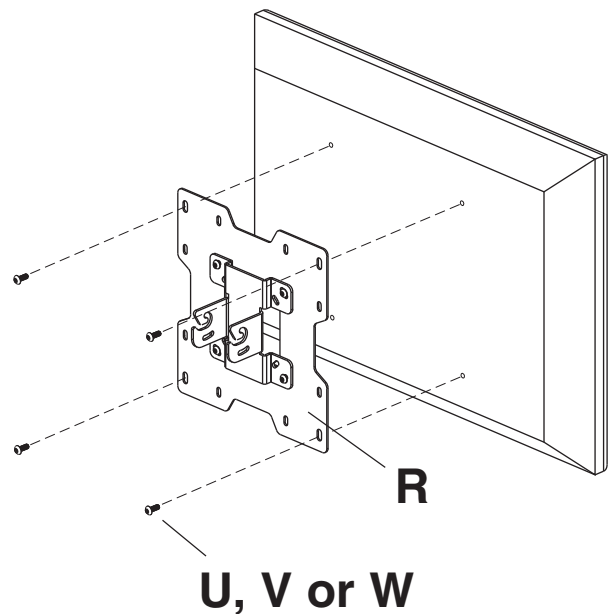
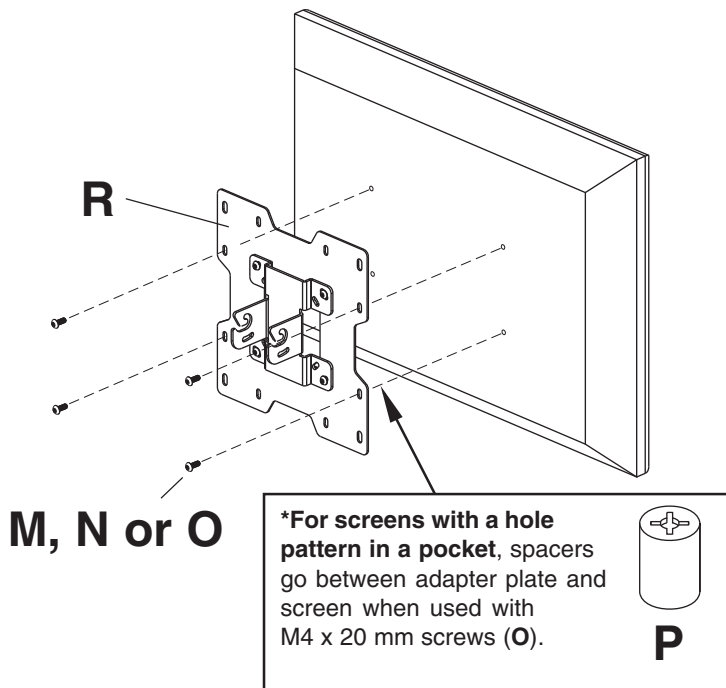
- 6-1** Choose hole pattern as shown below. Attach adapter plate (R) to back of screen using four M4 x 10 mm screws (M) or M4 x 12 mm screws (N) as shown below.

***Note:** If screw (M or N) gets less than three threads of engagement, attach adapter plate (R) to back of screen using four M4 x 20 mm screws (O) and four spacers (P) as indicated below.

FOR VESA 200 x 200 MOUNTING PATTERN:

- Choose hole pattern as shown below. Attach adapter plate (R) to back of screen using four M6 x 12 mm screws (U) as shown below.

***Note:** If screw (U) gets less than three threads of engagement, attach adapter plate (R) to back of screen using four M6 x 20 mm screws (V). If screw (V) gets less than three threads of engagement, use four M6 x 30 mm screws (W).

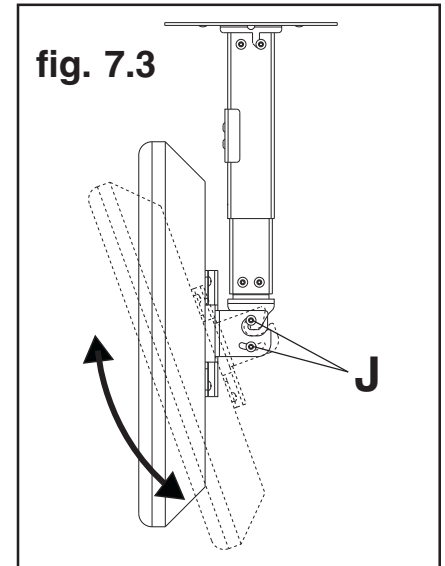
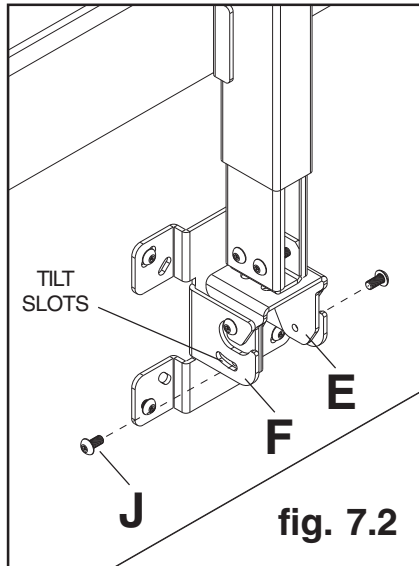
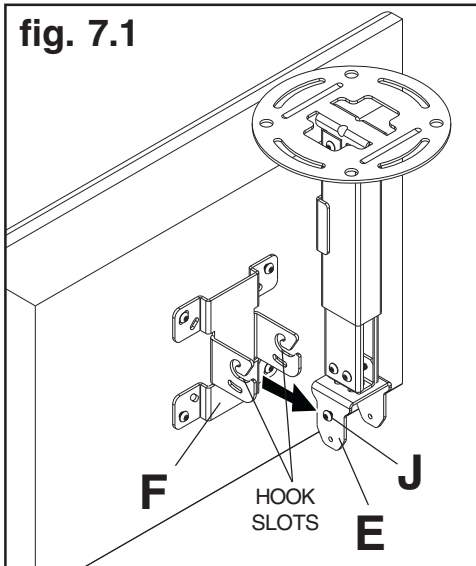


Attaching Screen

- 7 Guide hook slots of tilt bracket (F) onto M5 x 10 mm screws (J) in swivel/pivot bracket (E) as shown in figure 7.1. Thread two M5 x 10 mm screws (J) through tilt slot of tilt bracket (F) into swivel/pivot bracket (E) as shown in figure 7.2. Do not fully tighten screws to allow for tilt adjustments. Tilt slot allows for incremental tilts of 5°. Adjust tilt of screen and fully tighten all four M5 x 10 mm screws (J) as shown in figure 7.3.

⚠ WARNING

- Do not lift more weight than you can handle. Use additional man power or mechanical lifting equipment to safely handle placement of the screen.

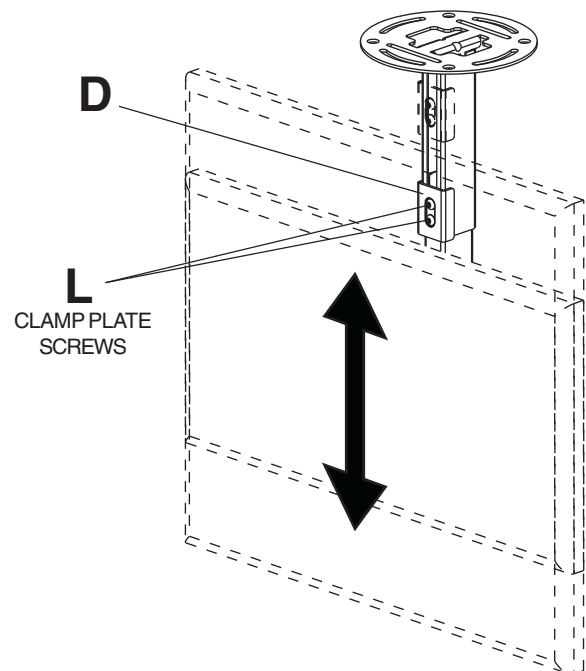


Adjusting Mount Extension

- 8 While supporting the weight of the screen, loosen screws (L) on clamp plate (D) half a turn and position screen to the desired height. Retighten clamp plate screws securely.

⚠ WARNING

- Clamp plate adjustment screws support weight of screen when fully tightened. Weight of the screen will need to be supported if clamp plate screws are loosened.

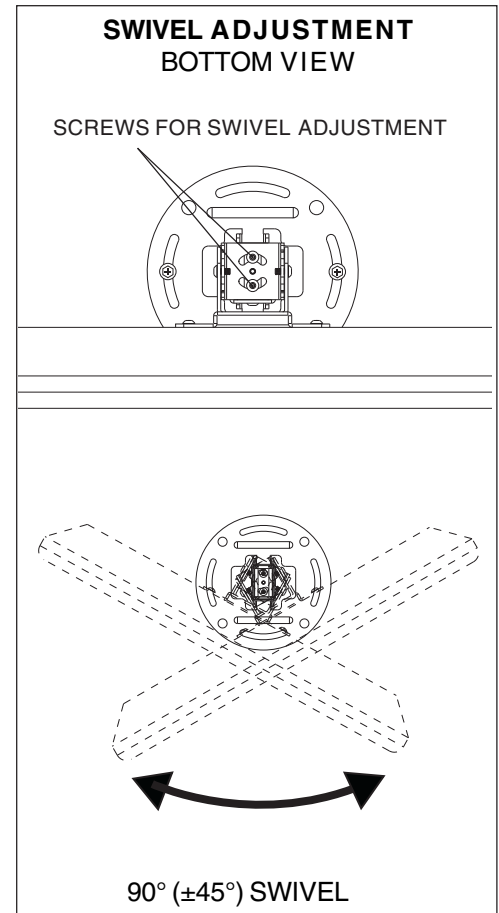
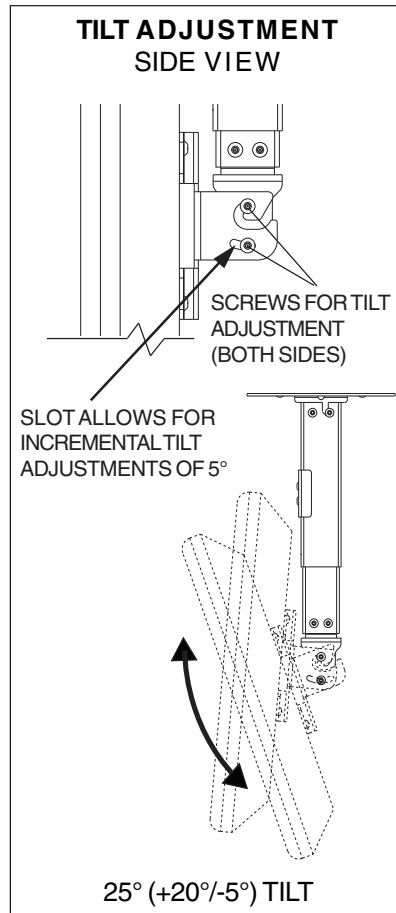
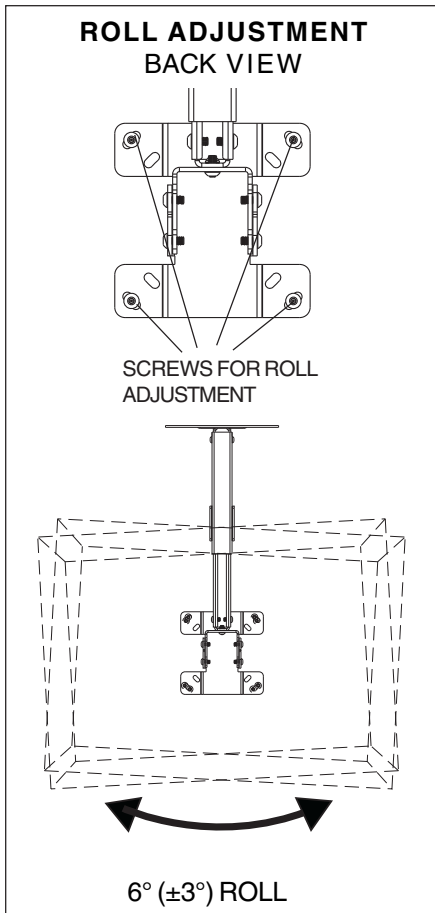


Adjusting Screen

- 9** If screws indicated are fully tightened, loosen screws half a turn to allow for adjusting tilt, swivel and roll. Adjust screen to the desired position and fully tighten screws.

⚠ WARNING

- Do not loosen adjustment screws to the point they become disengaged from the mount. Weight of the screen should be supported in case of accidental disengagement.



Install Cable Covers

- 10** **Note:** Be certain mount is in the desired extended position.

Attach cables to screen if routed through channels.

Cut cable covers (**G**) to the length of inner channel (**C**) and outer channel (**B**) openings, leaving space for cables if routed through channels. Snap cable covers into openings as shown.

Cables not routed through channels will require cable ties (not included).

