

SR555M	SmartMount® Flat Panel Video Conferencing Cart for 40" to 55" Displays
--------	--

**Product Specifications**

	DIMENSIONS (W X H X D)	PRODUCT WEIGHT	LOAD CAPACITY	FINISH	AVAILABLE COLORS
SR555M	70.25" x 78.10" x 29.00" (1784 x 1983 x 737mm)	90lb (40.9kg)	75lb (34kg) per display	Textured Powder Coat	Black

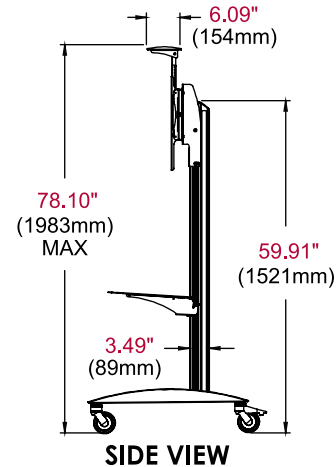
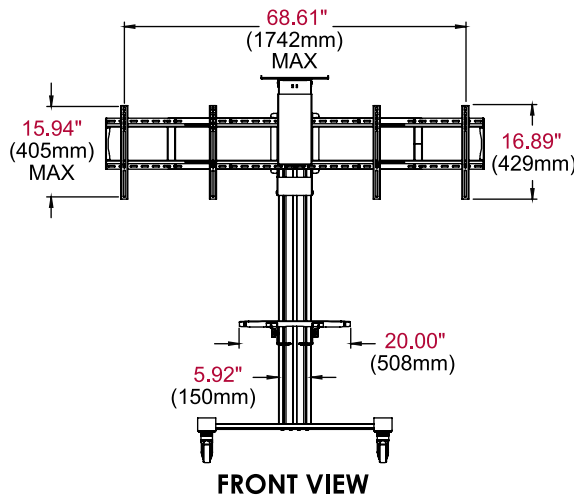
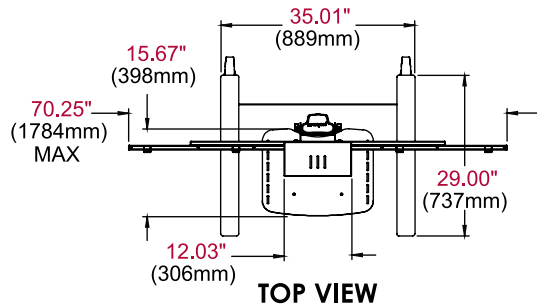
**Package Specifications**

	PACKAGE SIZE (W x H x D)	PACKAGE SHIP WEIGHT	PACKAGE UPC CODE	PACKAGE CONTENTS	UNITS IN PACKAGE
SR555M	47.50" x 7.25" x 38.50" (1207 x 184 x 978mm)	98lb (44.5kg)	735029305057	Assembled base, aluminum column, dual screen universal display adaptor, metal component shelf, camera shelf, (2) swivel casters, (2) locking swivel casters, hardware & instructions	1

**Accessories**

- |   |                                      |
|---|--------------------------------------|
| <b>ACC310:</b> Feet Accessory                         | <b>ACC-GS1:</b> Tempered Glass Shelf |
| <b>ACC316:</b> Safety Belt                            | <b>ACC-LA:</b> Laptop Arm            |
| <b>ACC320:</b> Electrical Outlet Strip with Cord Wrap | <b>ACC-MS:</b> Metal Shelf           |
| <b>ACC-BPR:</b> Bumper Accessory for legs             |                                      |

All dimensions = inch (mm)



**Architect Specifications**

The SmartMount® Flat Panel Video Conferencing Cart shall be a Peerless-AV model SR555M and shall be located where indicated on the plans. Assembly and installation shall be done according to instructions provided by the manufacturer.

Visit [peerless-av.com](http://peerless-av.com) to see the complete line of AV solutions from Peerless-AV, including outdoor displays, wireless, kiosks, digital audio, display mounts, projector mounts, carts/stands, and a full assortment of accessories.

**Peerless-AV**  
2300 White Oak Circle  
Aurora, IL 60502 USA  
  
**(800) 865-2112**  
**(630) 375-5100**  
**Fax: (800) 359-6500**

**Peerless-AV Europe**  
Unit 3 Watford Interchange  
Colonial Way, Watford  
Herts, WD24 4WP  
United Kingdom  
**+44 (0) 1923 200100**  
**Fax: +44 (0) 1923 200101**

**Peerless-AV de México**  
Ave de las Industrias 413  
Parque Industrial Escobedo  
Escobedo, N.L.,  
Mexico 66050  
**+52 (81) 8384-8300**  
**Fax: +52 (81) 8384-8360**

