

SR560G SmartMount® Flat Panel Cart for 32" to 75" Displays

Product Specifications

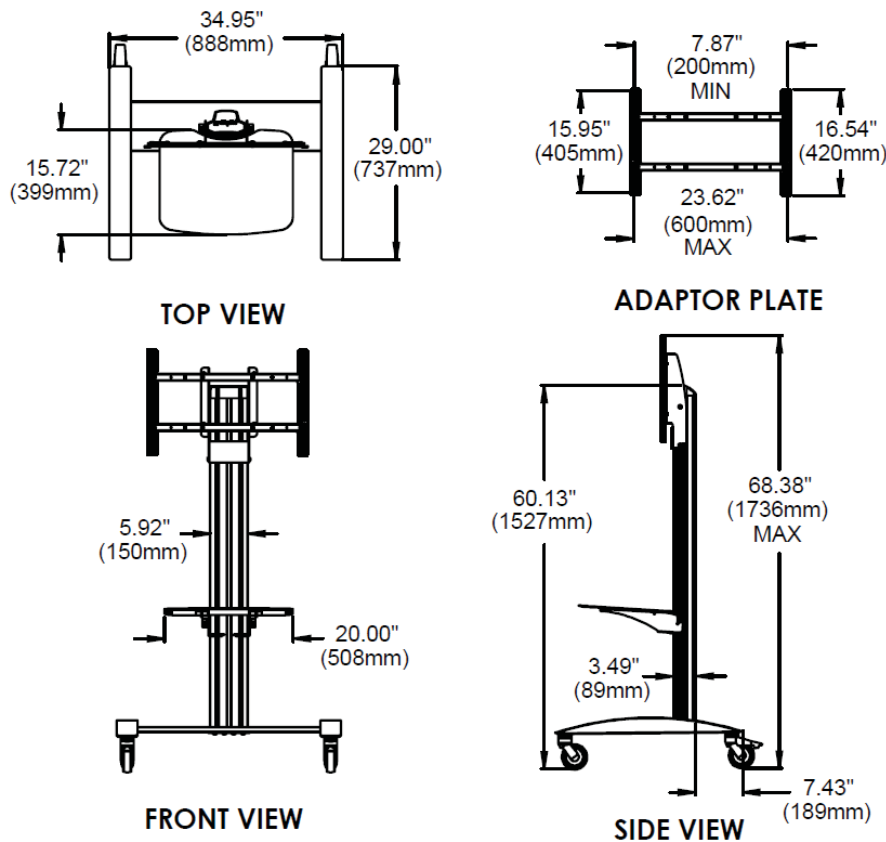
	DIMENSIONS (W X H X D)	PRODUCT WEIGHT	LOAD CAPACITY	FINISH	AVAILABLE COLORS
SR560G	34.95" x 68.38" x 29.00" (888 x 1736 x 737mm)	66lb (30kg)	150lb (68.2kg) display 10lb (4.55kg) per shelf	Textured Powder Coat	SR560G: Black

Package Specifications

	PACKAGE SIZE (W x H x D)	PACKAGE SHIP WEIGHT	PACKAGE UPC CODE	PACKAGE CONTENTS	UNITS IN PACKAGE
SR560G	47.50" x 7.25" x 38.50" (1207 x 184 x 978mm)	79lb (35.9kg)	SR560G: 735029247722	Assembled base, Aluminum column, Universal display adaptor, Glass component shelf, (2) swivel casters, (2) locking swivel casters, hardware & instructions	1

Accessories

- ACC310:** Feet Accessory
- ACC316:** Safety Belt
- ACC320:** Electrical Outlet Strip with Cord Wrap
- ACC-BPR:** Bumper Accessory for legs
- ACC-GS1:** Tempered Glass Shelf
- ACC-LA:** Laptop Arm
- ACC-MS:** Metal Shelf
- ACC-VCS:** Video Conferencing Camera Shelf
- DSX750:** Media Player Storage



Architect Specifications

The SmartMount® Flat Panel Cart shall be a Peerless-AV model SR560G and shall be located where indicated on the plans.. Assembly and installation shall be done according to instructions provided by the manufacturer.

Visit peerless-av.com to see the complete line of AV solutions from Peerless-AV, including outdoor displays, wireless, kiosks, digital audio, display mounts, projector mounts, carts/stands, and a full assortment of accessories.

Peerless-AV
 2300 White Oak Circle
 Aurora, IL 60502 USA
(800) 865-2112
(630) 375-5100
Fax: (800) 359-6500

Peerless-AV Europe
 Unit 3 Watford Interchange
 Colonial Way, Watford
 Herts, WD24 4WP
 United Kingdom
+44 (0) 1923 200100
Fax: +44 (0) 1923 200101

Peerless-AV de México
 Ave de las Industrias 413
 Parque Industrial Escobedo
 Escobedo, N.L.,
 Mexico 66050
+52 (81) 8384-8300
Fax: +52 (81) 8384-8360

