

SR598



**Mounting Pattern**  
200 x 200 up to  
900 x 600mm



**Max Load**  
300lb (136.1kg)  
display



- Integrated cable management protects, contains and conceals cables for a clean, professional installation
- Pre-assembled base provides rigidity, stability and quick assembly
- Textured black powder coat finish helps hide finger prints and dust
- Optional ACC-MS component shelf can be positioned anywhere along either column by simply lifting and repositioning
- Universal mount fits displays with mounting patterns from 200 x 200mm up to 900 x 600mm
- Cart includes (4) plastic base pads for instances when casters are not needed

# SMARTMOUNT® Flat Panel Cart

FOR 55" TO 98"+ DISPLAYS\*

The SR598 SmartMount® Flat Panel Cart has been redesigned to include all of the features you may need, making it perfect for any application. Mobility, appealing design, display height adjustment and a pre-assembled base ensure quick assembly, while providing a rigid, but attractive structure that fits into any décor. The 4" casters make it easy to move from room to room, while the UL® certification ensures that it can be done safely.



Please visit [peerless-av.com/en-us/patents](http://peerless-av.com/en-us/patents) for patent information.

\*This display size range is simply a guideline for product selection. Displays larger than the screen size range may still be compatible as long as they fall within the VESA® pattern and max weight of the Peerless-AV® product.

✉ [info@peerless-av.com](mailto:info@peerless-av.com)  
🌐 [peerless-av.com](http://peerless-av.com)

**peerless-AV®**  
Driving Technology Through Innovation

SR598 SmartMount® Flat Panel Cart for 55" to 98"+ Displays

**Product Specifications**

	DIMENSIONS (W X H X D)	PRODUCT WEIGHT	LOAD CAPACITY	FINISH	AVAILABLE COLORS
SR598	46.01" x 68.38" x 29.00" (1169 x 1736 x 737mm)	89lb (40.5kg)	300lb (136.1kg) display	Textured Powder Coat	Black

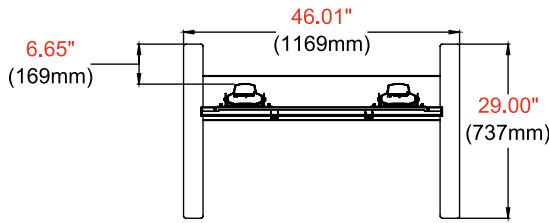
**Package Specifications**

	PACKAGE SIZE (W x H x D)	PACKAGE SHIP WEIGHT	PACKAGE UPC CODE	PACKAGE CONTENTS	UNITS IN PACKAGE
SR598	47.50" x 12.50" x 38.50" (1207 x 318 x 978mm)	109lb (49.5kg)	735029304975	Assembled Base, (2) Aluminum Columns, Universal Display Adaptor, (2) Swivel Casters, (2) Locking Swivel Casters, (4) Plastic Base Pads, Hardware & Instructions	1

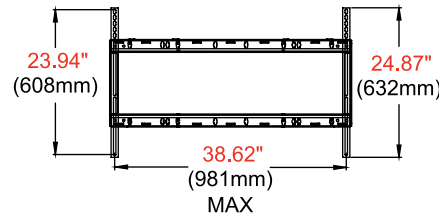
**Accessories**

- ACC310: Leveling Feet Accessory
- ACC316: Safety Belt
- ACC320: Electrical Outlet Strip with Cord Wrap
- ACC-BPR: Bumper Accessory for legs
- ACC-LA: Laptop Arm
- ACC-UCM: Universal AV Component Mount
- ACC-MS: Metal Shelf
- ACC-VCS: Video Conferencing Camera Shelf
- ACC-V1500X: Adaptor for VESA® 1200mm or 1500mm Mounting Patterns

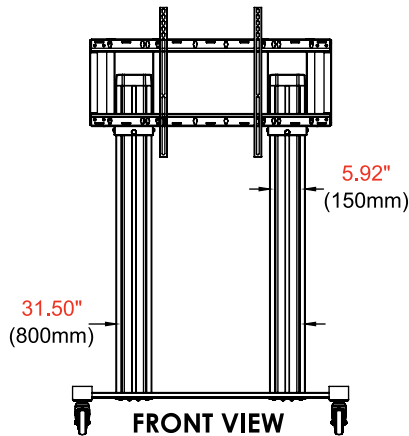
All dimensions = inch (mm)



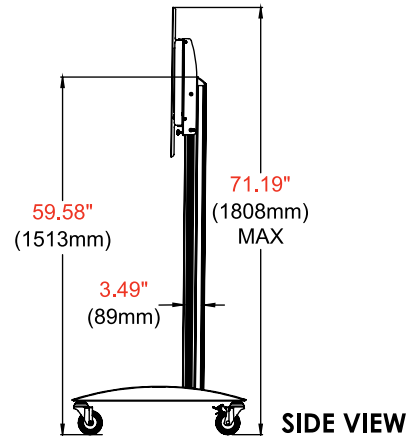
**TOP VIEW**



**ADAPTOR BRACKET**



**FRONT VIEW**



**SIDE VIEW**

**Architect Specifications**

The SmartMount® Flat Panel Cart shall be a Peerless-AV model SR598 and shall be located where indicated on the plans. Assembly and installation shall be done according to instructions provided by the manufacturer.

Visit [peerless-av.com](http://peerless-av.com) to see the complete line of AV solutions from Peerless-AV, including outdoor displays, kiosks, display mounts, projector mounts, carts/stands, and a full assortment of accessories.

**Peerless-AV**  
2300 White Oak Circle  
Aurora, IL 60502 USA  
**(800) 865-2112**  
**(630) 375-5100**

**Peerless-AV EMEA**  
Unit 2 Curo Park  
Frogmore, St. Albans  
Hertfordshire, AL2 2DD  
United Kingdom  
**+44 (0) 1923 200100**

**Peerless-AV B.V.**  
Papendorpseweg 75  
3528 BJ Utrecht  
The Netherlands  
**+31 (0) 70 770 8037**

**Peerless-AV Latin America**  
Av. de las Industrias 413  
Parque Industrial Escobedo  
General Escobedo, N.L.,  
México, 66062  
**+52 (81) 8384-8300**

