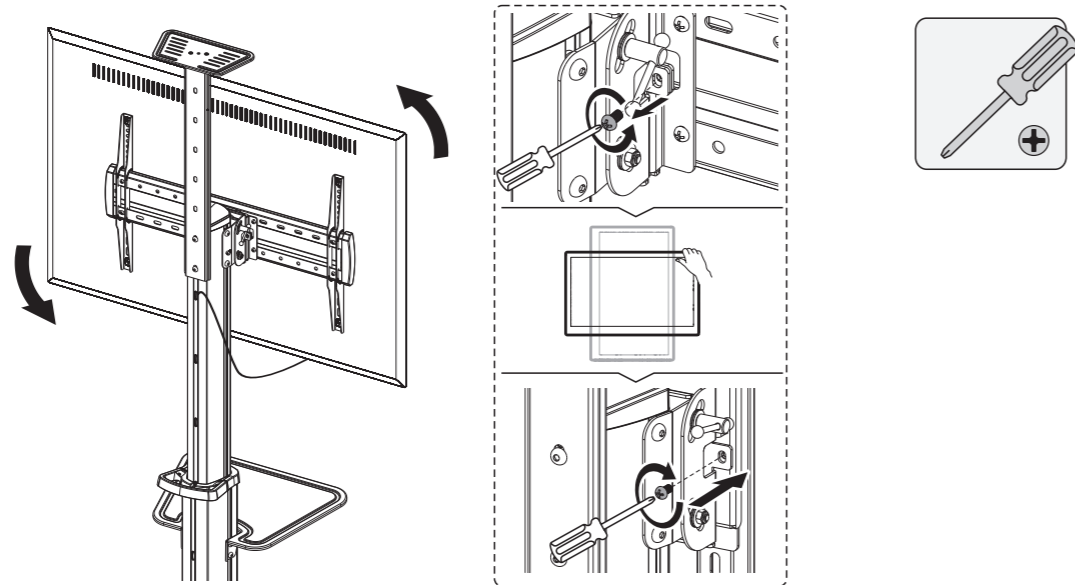


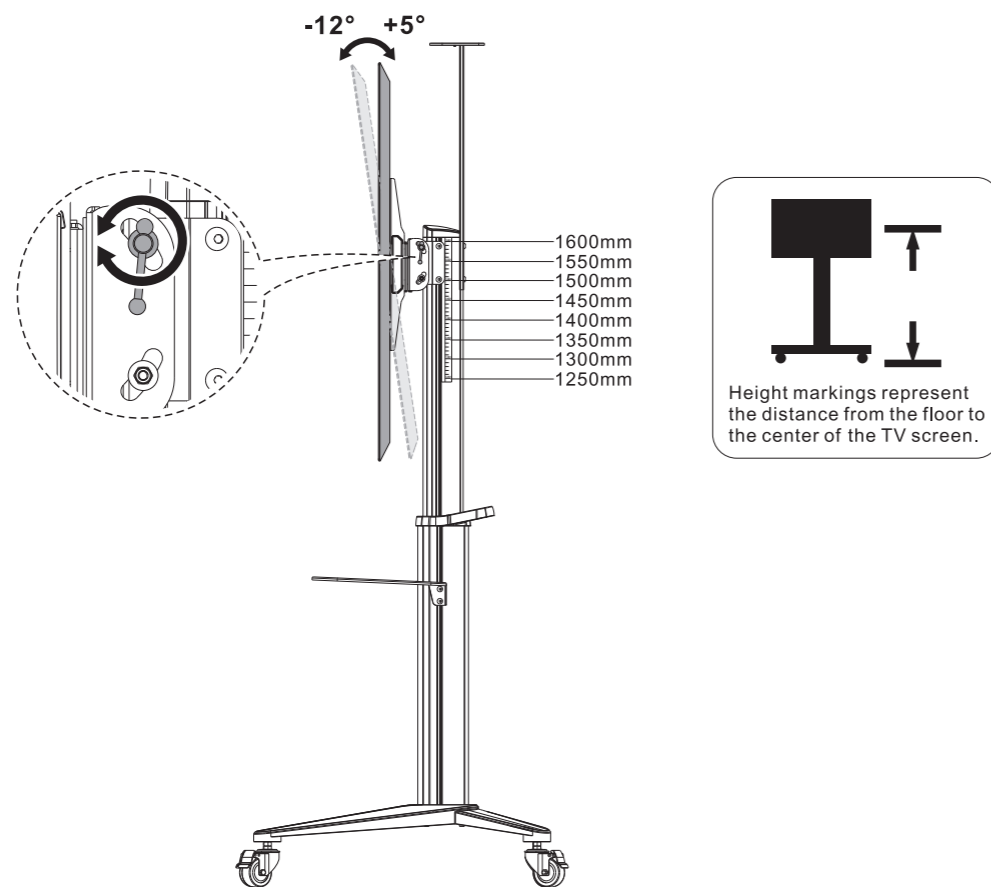
PUREMounts[®] DS

is a trademark of PureLink GmbH
Von-Liebig-Straße 10
D-48432 Rheine
Germany

11. TV Orientation



12. Adjustment



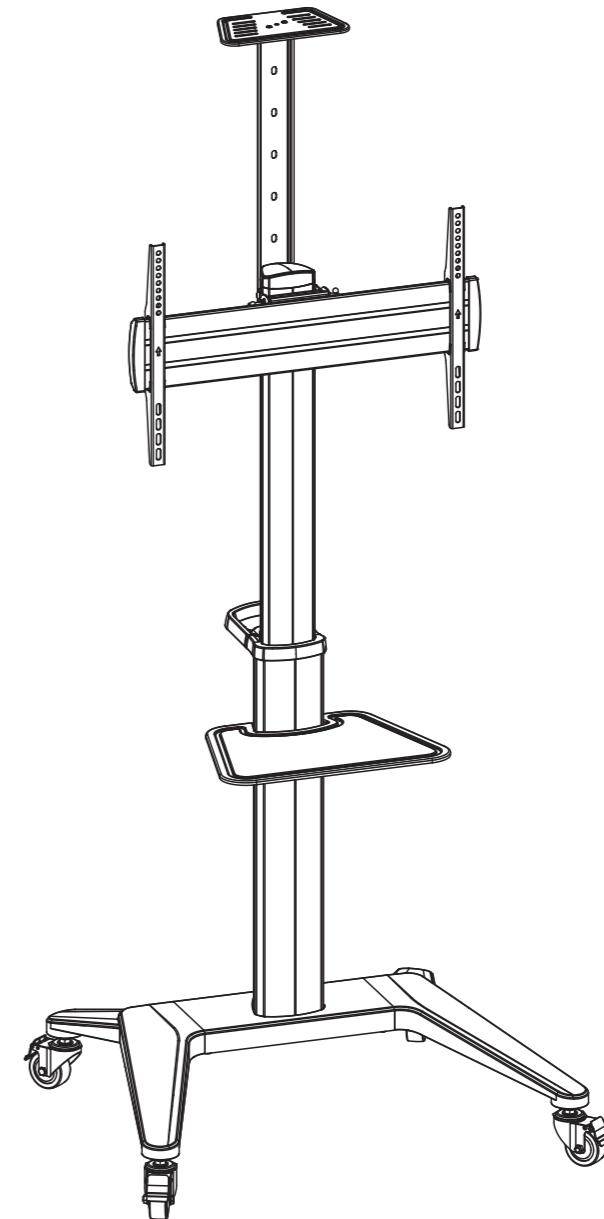
Maintenance

- Check if the bracket is secure and safe to use at regular intervals(at least every three months).
- Please contact your distributor if you have any questions.

PUREMounts[®] DS

INSTALLATION MANUAL

TV Floor Cart and Accessories



PureLink GmbH
Von-Liebig-Str. 10 | 48432 Rheine | Germany
Phone: +49 (0) 5971 800 299 0

PureLink GmbH hereby declares that this product
complies with Directive 1907/2006/EU and 2011/65/EU.



**CAUTION: DO NOT EXCEED
RATED LISTED WEIGHT. SERIOUS
INJURY OR PROPERTY DAMAGE
MAY OCCUR!**

PDS-0002C

PDS-0003C



200x200
300x200
300x300
400x200
400x300
400x400
600x400



Read the entire instruction manual before you start installation and assembly. If you have any questions regarding any of the instructions or warnings, please contact your local distributor for assistance.

CAUTION

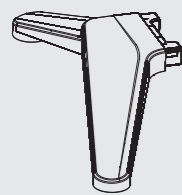
- Use with products heavier than the rated weights indicated may result in instability causing possible injury.
- Please closely follow the assembly instructions. Improper installation may result in damage or serious personal injury.
- Safety gear and proper tools must be used. This product should only be installed by professionals.
- Make sure that the supporting surface will safely support the combined weight of the equipment and all attached hardware and components.
- Use the mounting screws provided and **DO NOT OVER TIGHTEN** mounting screws.
- This product contains small items that could be a choking hazard if swallowed. Keep these items away from children.
- This product is intended for indoor use only. Using this product outdoors could lead to product failure and personal injury.

Requirement for Installation

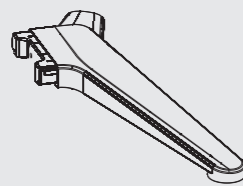


Component Checklist

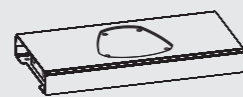
IMPORTANT: Ensure that you have received all parts according to the component checklist prior to installation. If any parts are missing or faulty, contact your place of purchase for a replacement.



left leg
A (x1)



right leg
B (x1)



cross bracket
C (x1)



caster
D (x4)



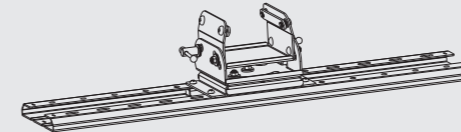
lower column
E (x1)



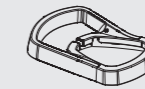
upper column
F (x1)



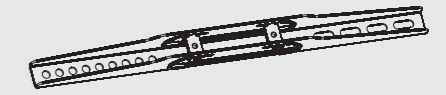
AV equipment shelf
G (x1)



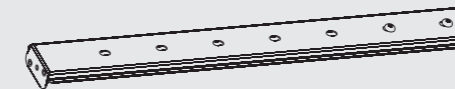
mounting plate assembly
H (x1)



handle
I (x1)



TV bracket
J (x2)



connecting bracket
K (x1)



camera shelf
L (x1)



end cap
M (x2)



top cover
N (x1)

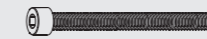


cable cover
O (x8)

Package P



washer
P-A (x4)



M8x80
P-B (x4)



M8x20
P-C (x12)



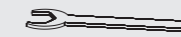
M6x12
P-D (x4)



M5x8
P-E (x2)



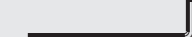
M6 wrench
P-F (x1)



M12 wrench
P-G (x1)



5mm Allen key
P-H (x1)



6mm Allen key
P-I (x1)

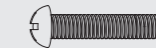
Package M



M5x14
M-A (x4)



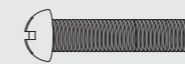
M6x14
M-B (x4)



M6x30
M-C (x4)



M8x30
M-D (x4)



M8x50
M-E (x4)



washer
M-F (x4)

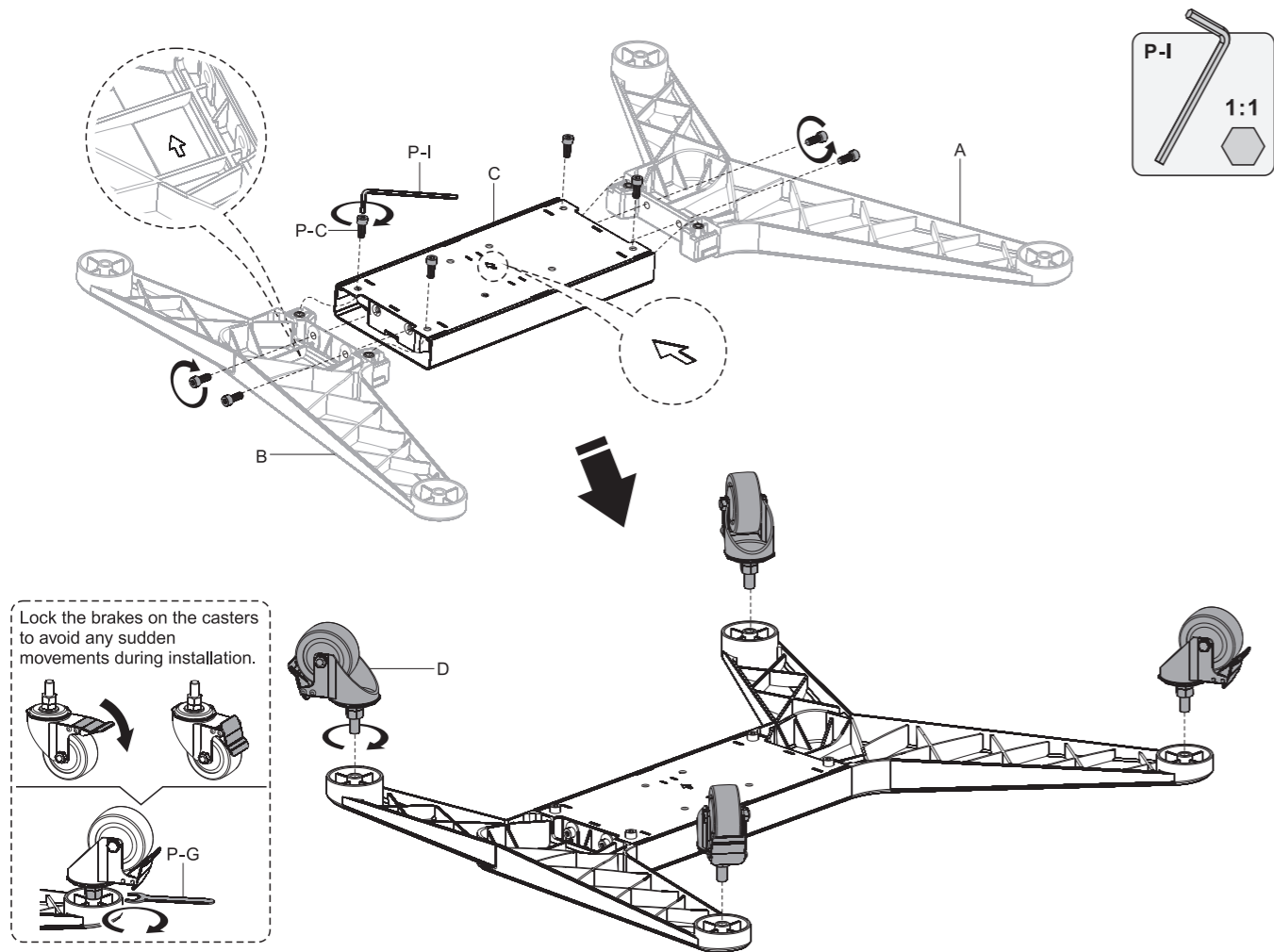


small spacer
M-G (x8)

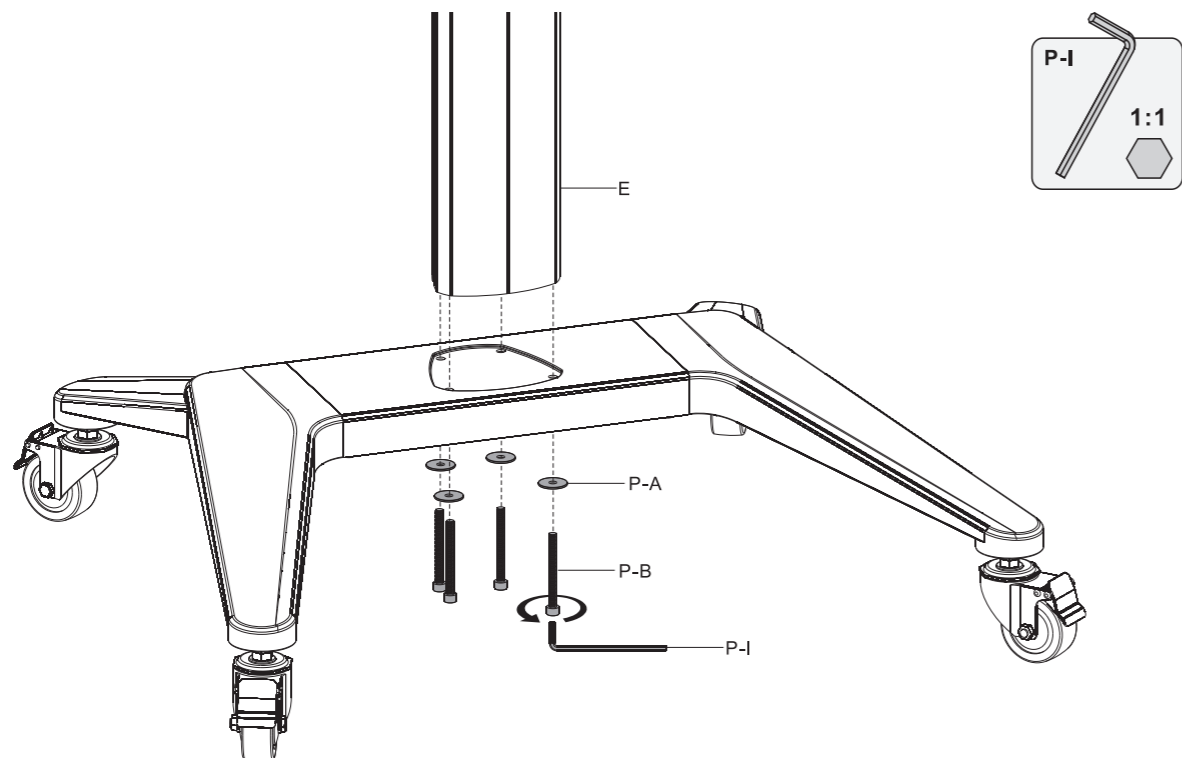


big spacer
M-H (x8)

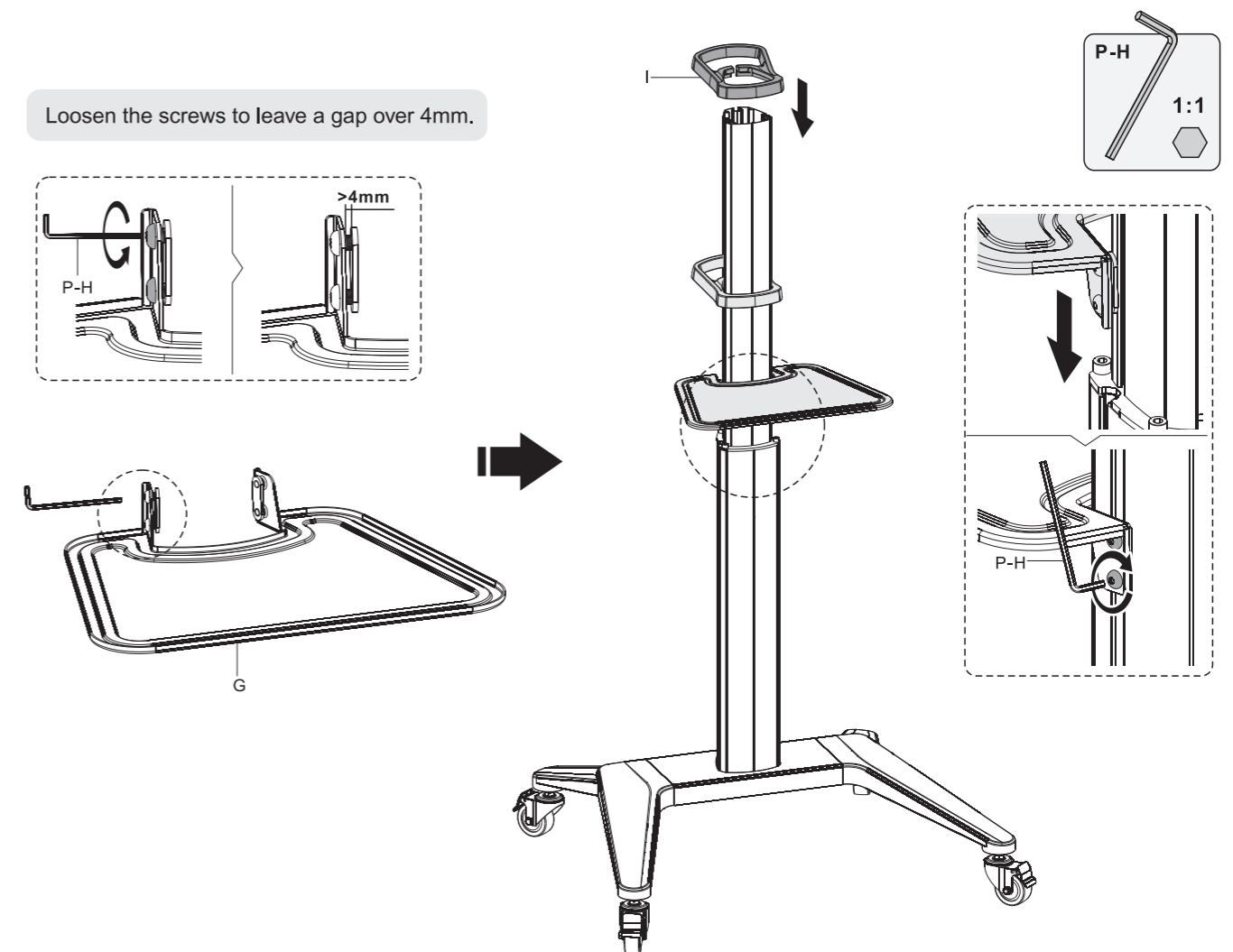
1. Assemble the Base



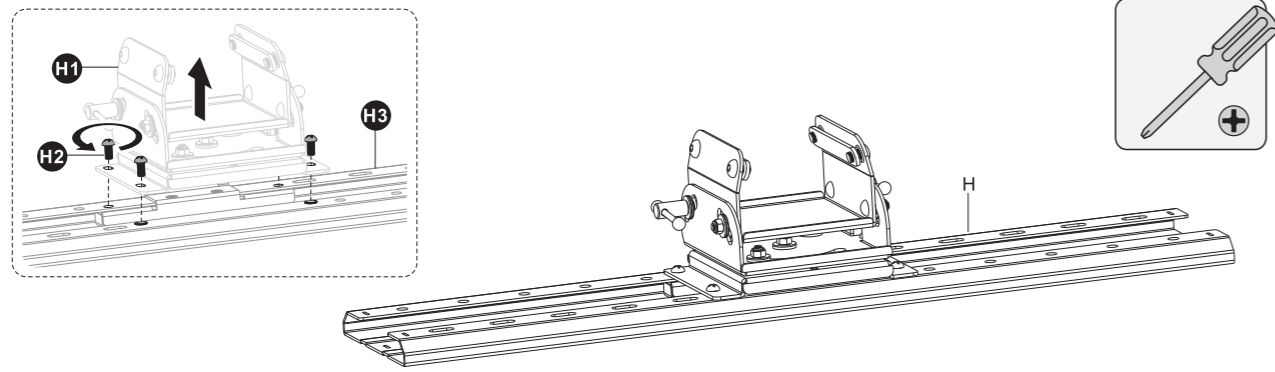
2. Assemble the Columns



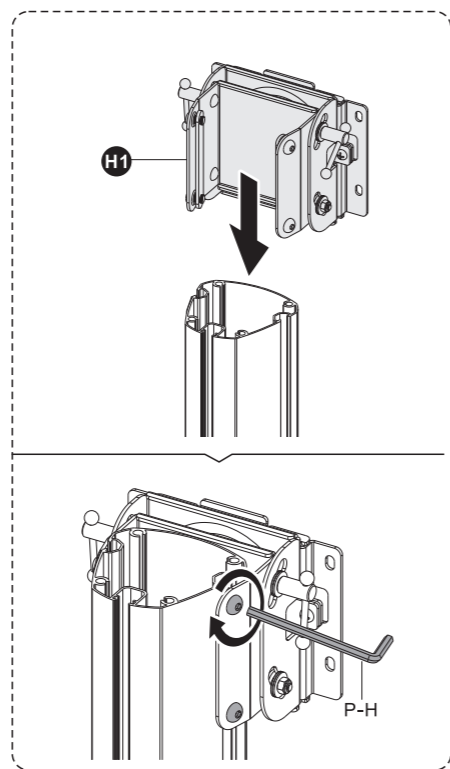
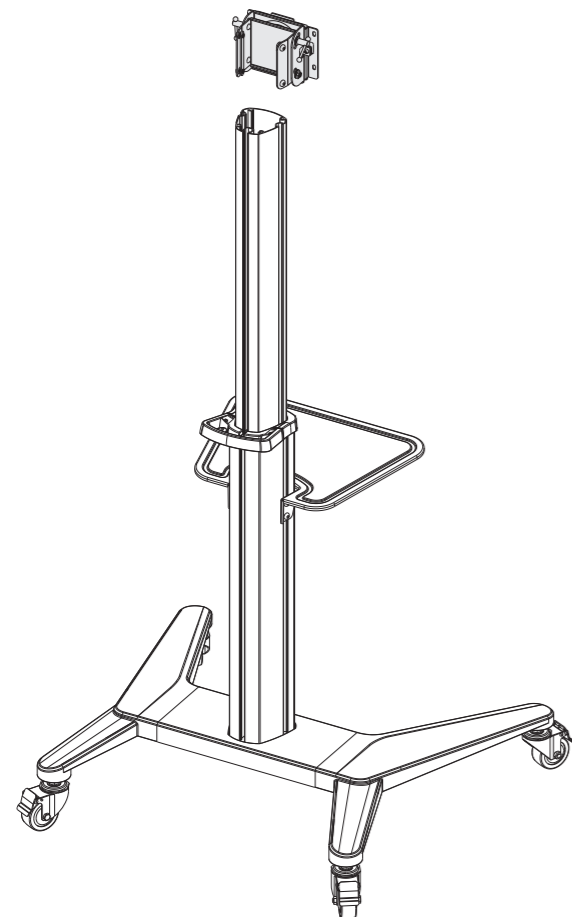
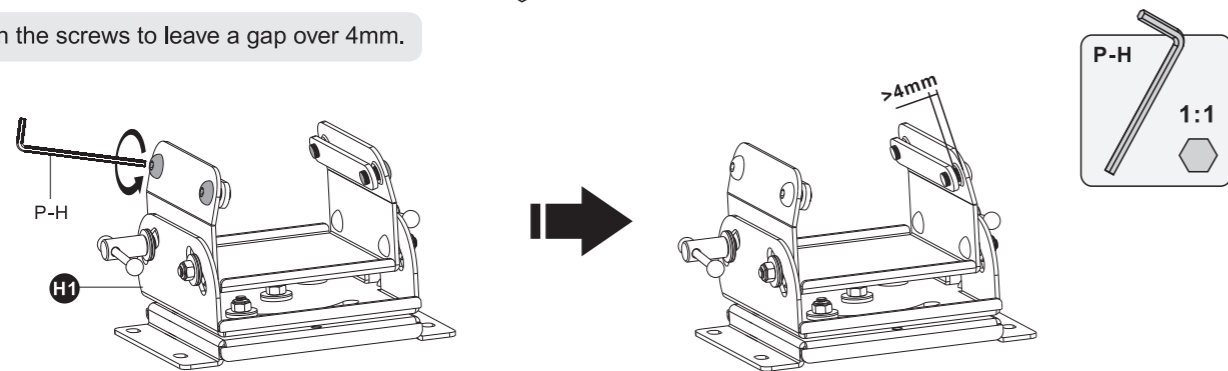
3. Assemble the AV Equipment Shelf



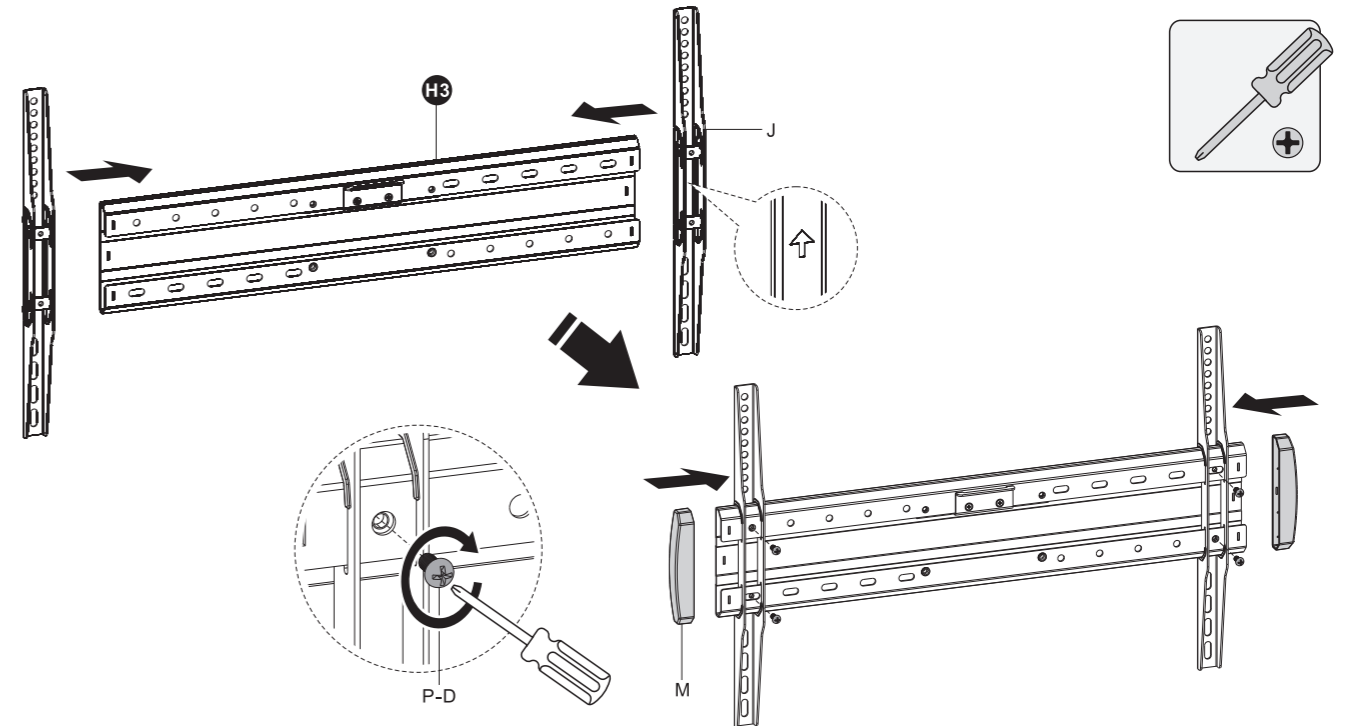
4. Attach the Connector to the Column



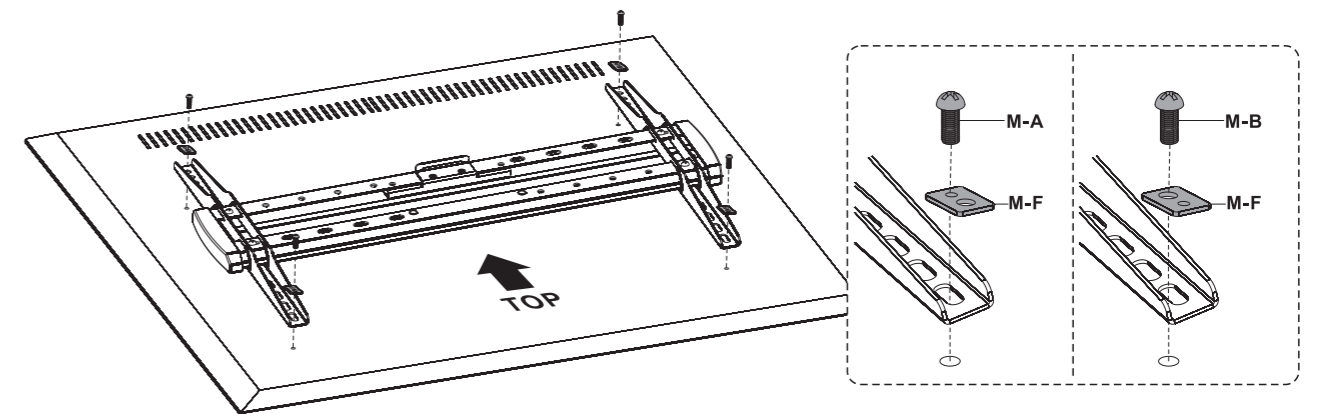
Loosen the screws to leave a gap over 4mm.



5. Attach TV Bracket to the Mounting Plate

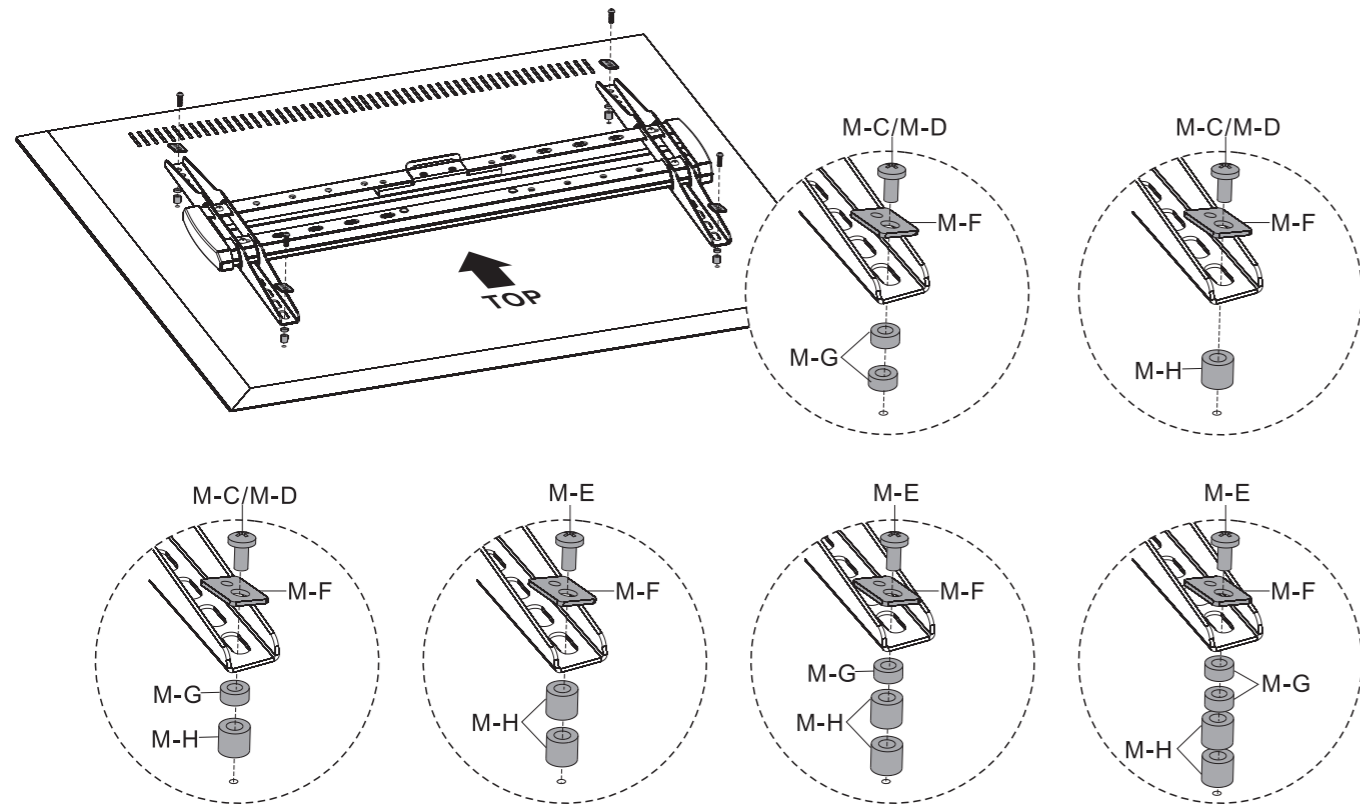
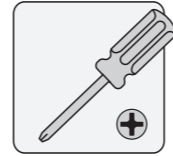
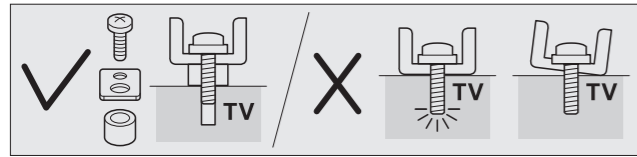


6a. Attach TV Bracket to Flat Back Screen



M-A			M-B		
M-F			1:1		

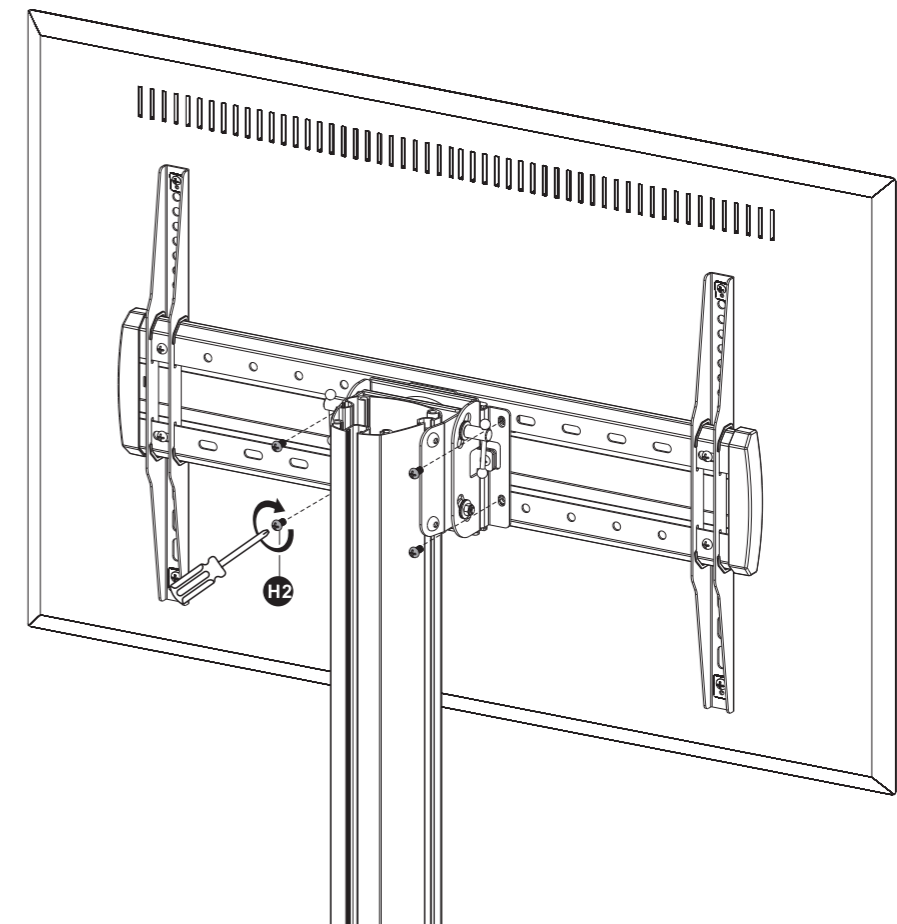
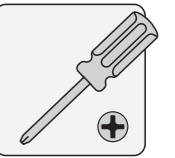
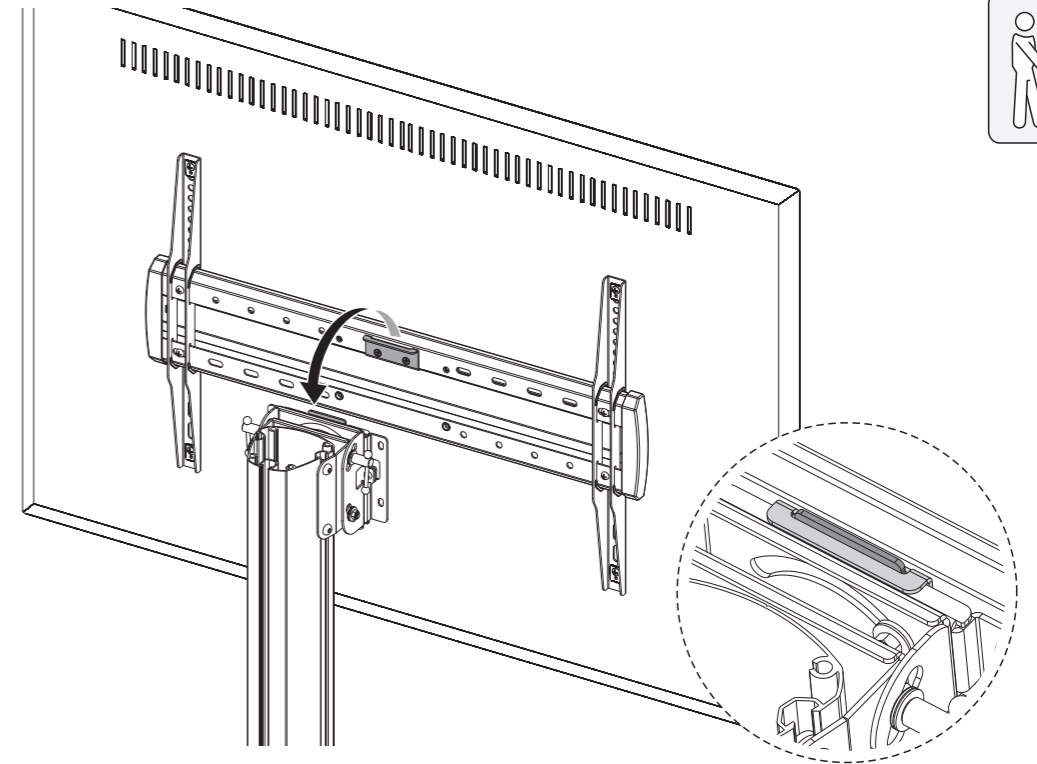
6b. Attach TV Bracket to Irregular Back Screen



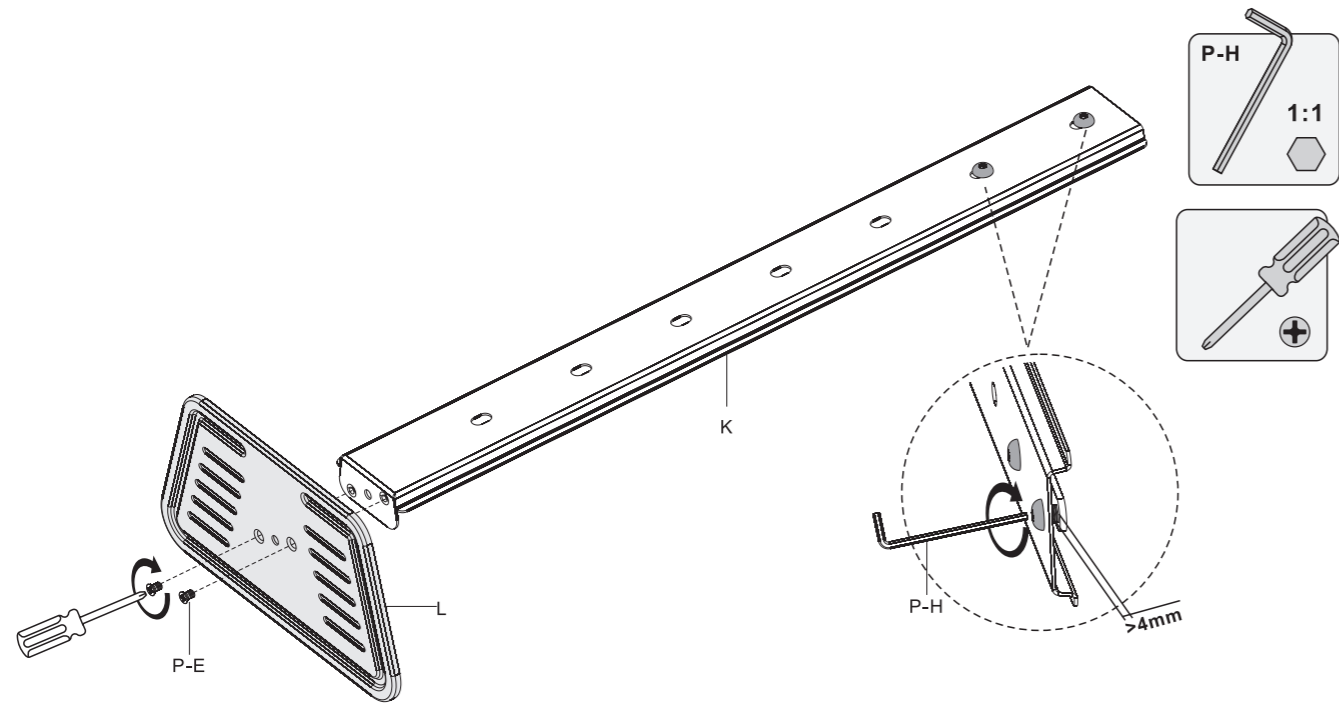
M-C		M-D	
M-E		M-F	
M-G		M-H	

1:1

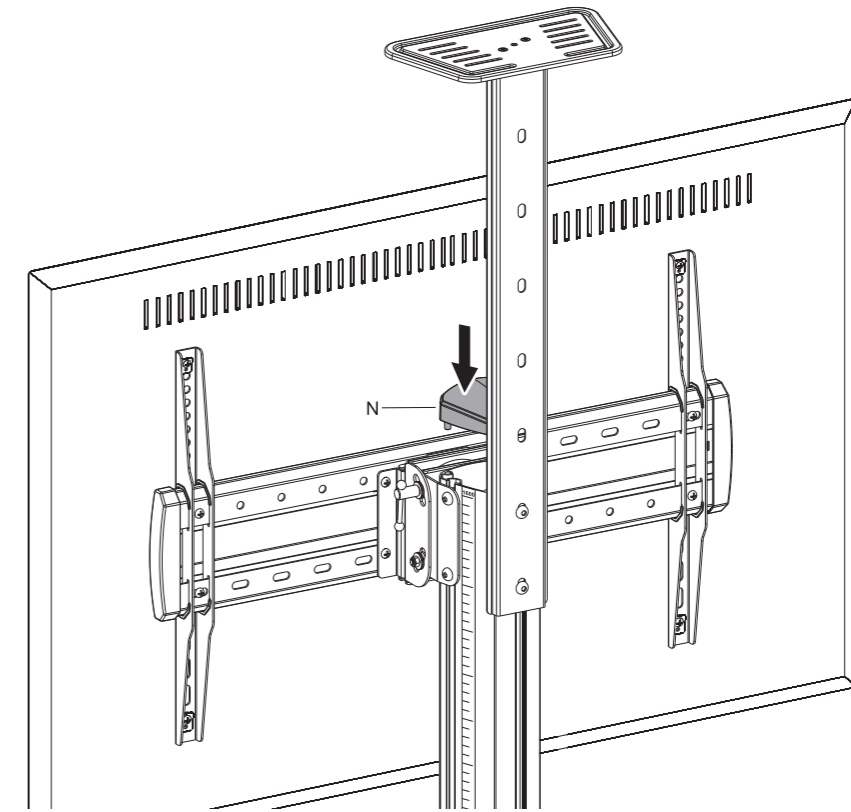
7. Hang and Secure the Screen



8. Assemble the Camera Shelf



9. Assemble the Top Cover



10. Cable Management

